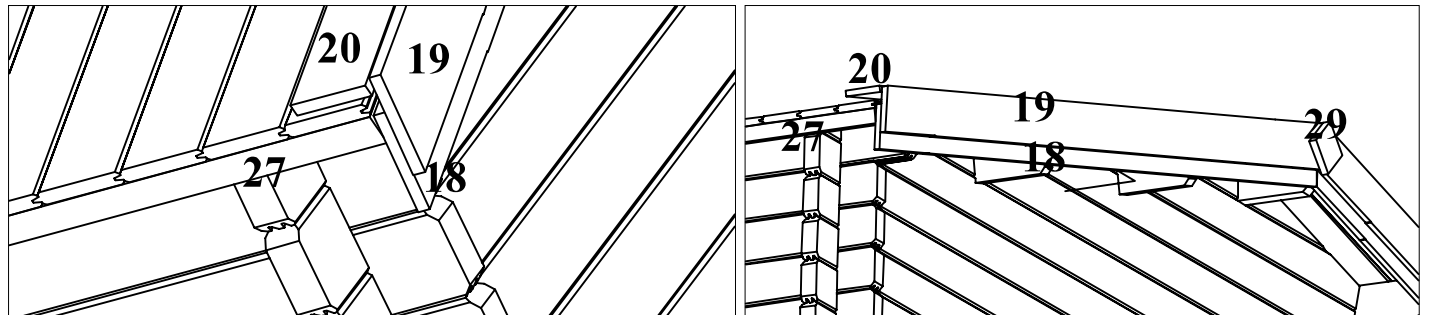


BUILDING CODE **BLACKPOOL**

WALL LOG (mm): 58

SIZE (mm): 4400x3400

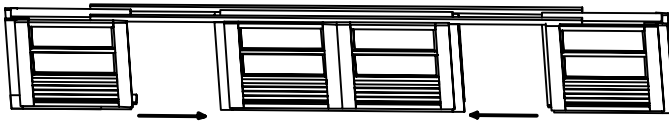
ISOMETRIC ROOF'S CONSTRUCTION



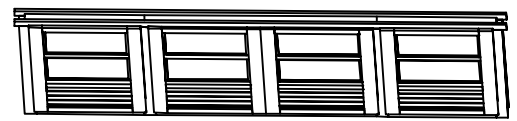
18	Roof cover fixture			2420	120	16	4
19	Roof cover fixture			2420	100	16	4
20	Roof cover fixture			2440	100	16	4
27	Beam			4250	40	40	2
29	Diamond						1

ISOMETRIC DOOR'S CONSTRUCTION

1st step



2nd step



PACKAGE NR.:

MNFCT. ORDER NR.:

CONTROL 1

CONTROL 2

PAGE/PAGES: **8/8**

SIGNATURE

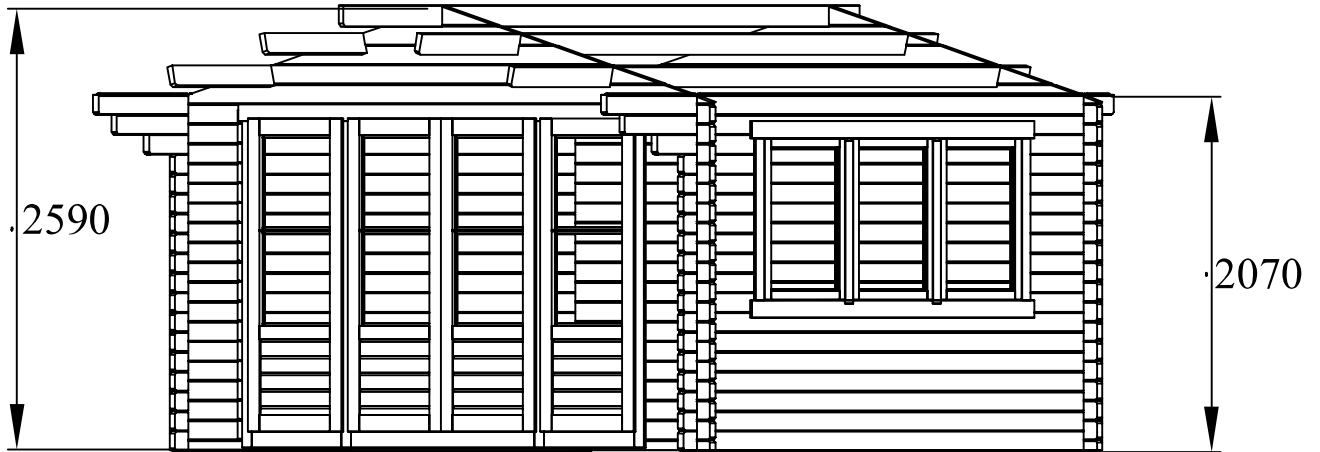
SIGNATURE

BUILDING CODE **BLACKPOOL**

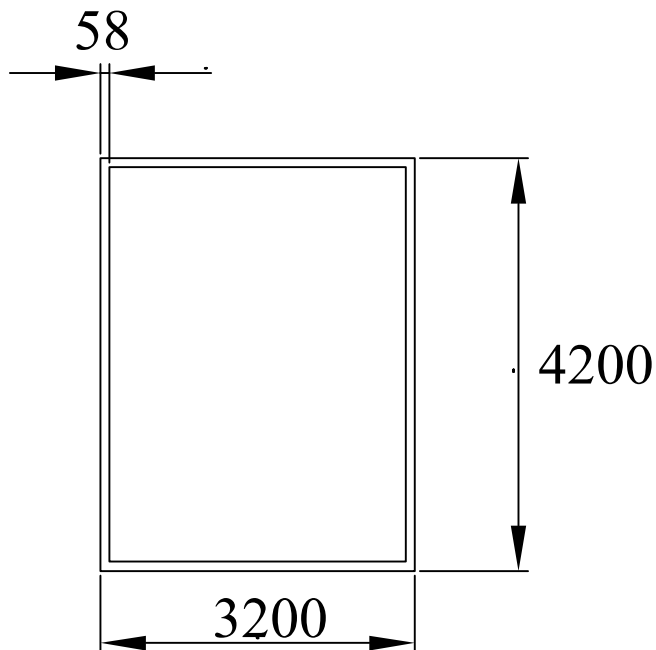
WALL LOG (mm): 58

SIZE (mm): 4400x3400

HEIGHT VIEW



PEDESTAL VIEW



PACKAGE NR.:

MNFCT. ORDER NR.:

CONTROL 1

CONTROL 2

PAGE/PAGES: **7/8**

SIGNATURE

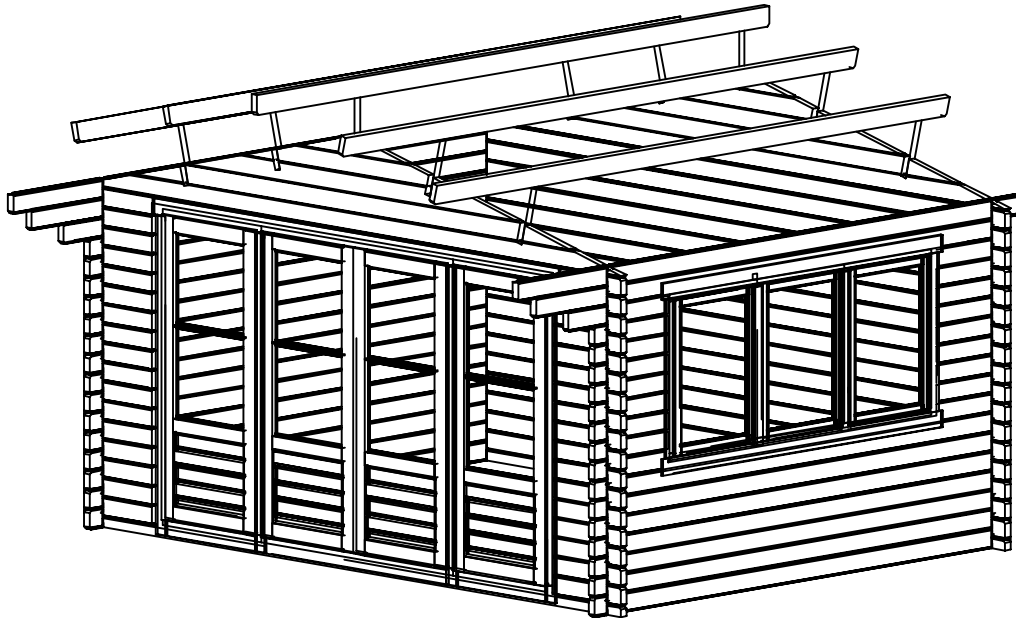
SIGNATURE

BUILDING CODE **BLACKPOOL**

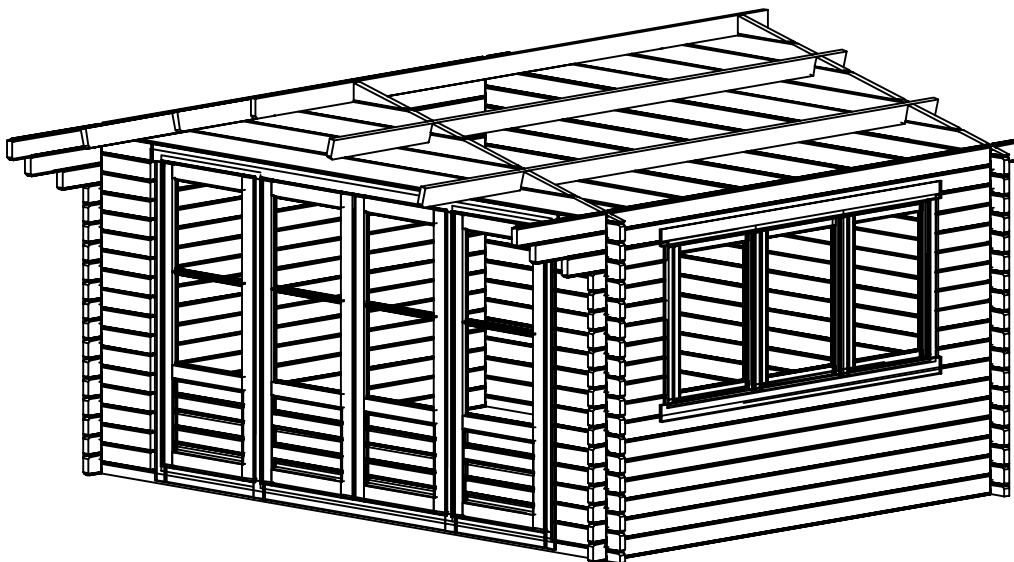
WALL LOG (mm): 58

SIZE (mm): 4400x3400

CONSTRUCTION 3



CONSTRUCTION 4



PACKAGE NR.:

MNFCT. ORDER NR.:

CONTROL 1

CONTROL 2

PAGE/PAGES: **6/8**

SIGNATURE

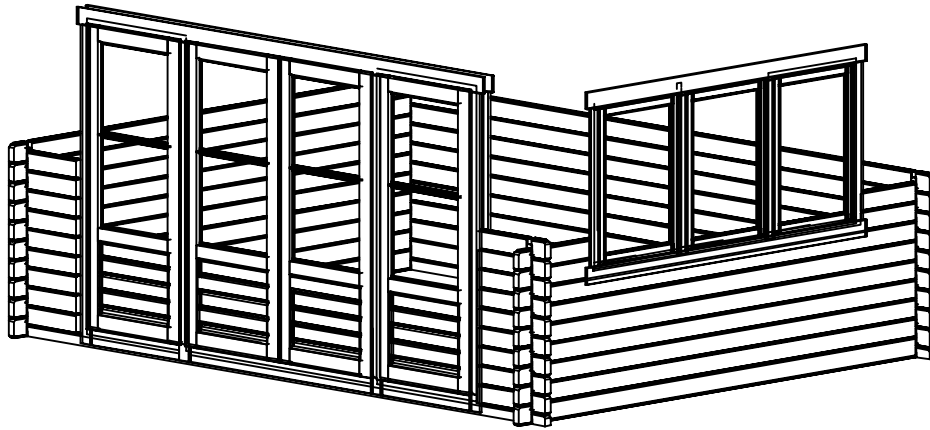
SIGNATURE

BUILDING CODE **BLACKPOOL**

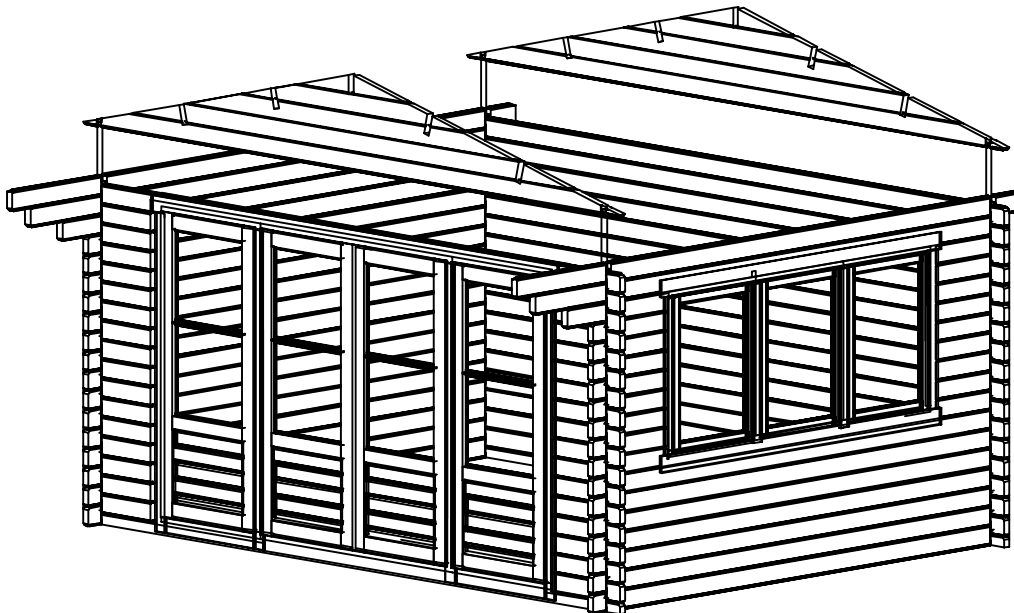
WALL LOG (mm): 58

SIZE (mm): 4400x3400

CONSTRUCTION 1



CONSTRUCTION 2



PACKAGE NR.:

MNFCT. ORDER NR.:

CONTROL 1

CONTROL 2

PAGE/PAGES: **5/8**

SIGNATURE

SIGNATURE

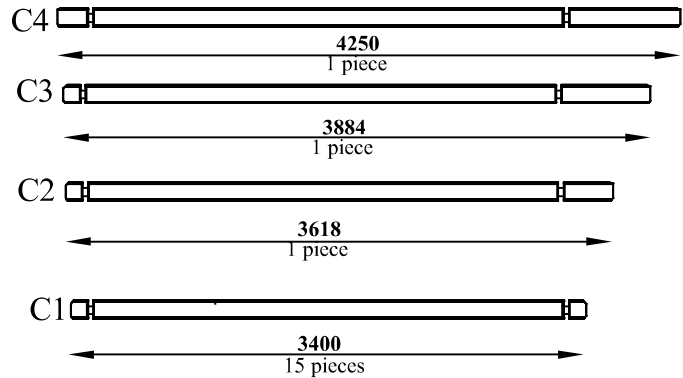
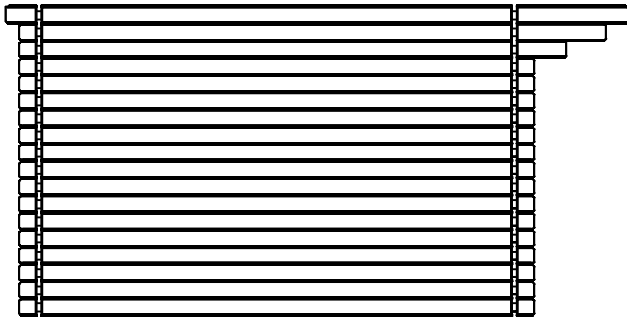
BUILDING CODE **BLACKPOOL**

WALL LOG (mm): 58

SIZE (mm): 4400x3400

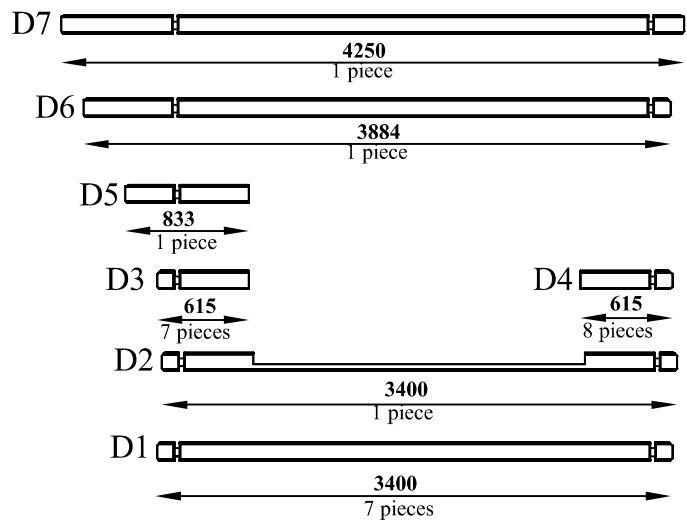
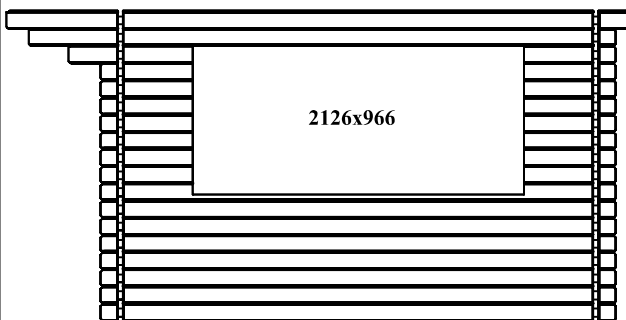
LEFT VIEW

Ⓒ



RIGHT VIEW

Ⓓ



PACKAGE NR.:

MNFCT. ORDER NR.:

CONTROL 1

CONTROL 2

PAGE/PAGES: **4/8**

SIGNATURE

SIGNATURE

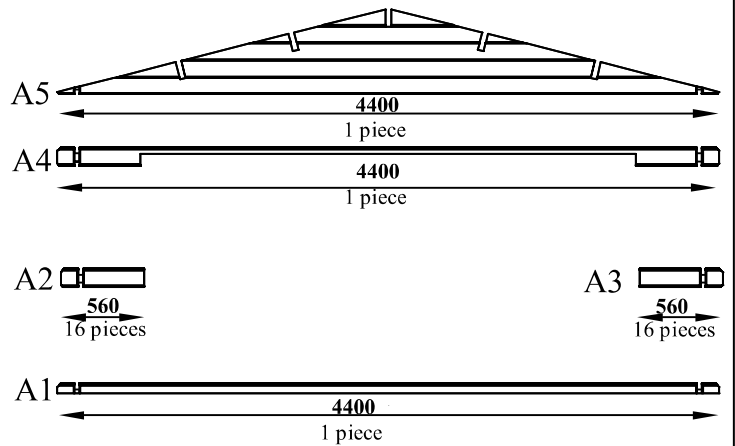
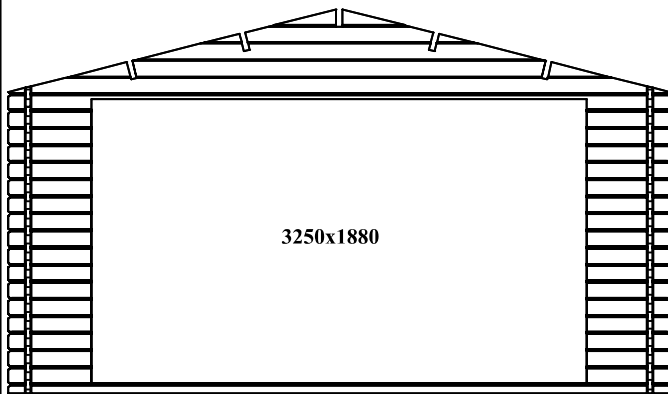
BUILDING CODE **BLACKPOOL**

WALL LOG (mm): 58

SIZE (mm): 4400x3400

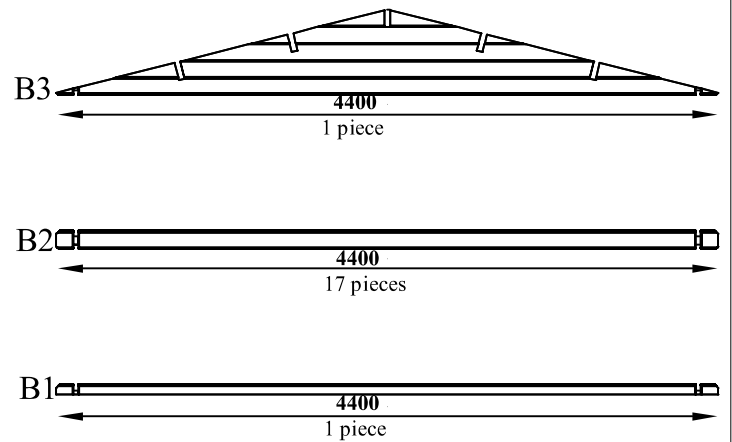
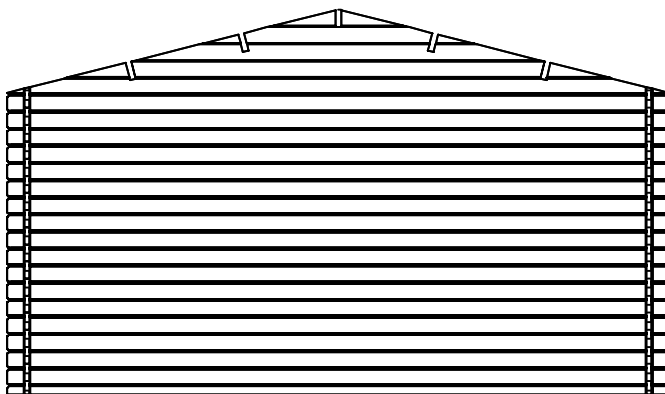
FRONT VIEW

(A)



BACK VIEW

(B)



PACKAGE NR.:

MNFCT. ORDER NR.:

CONTROL 1

CONTROL 2

SIGNATURE

SIGNATURE

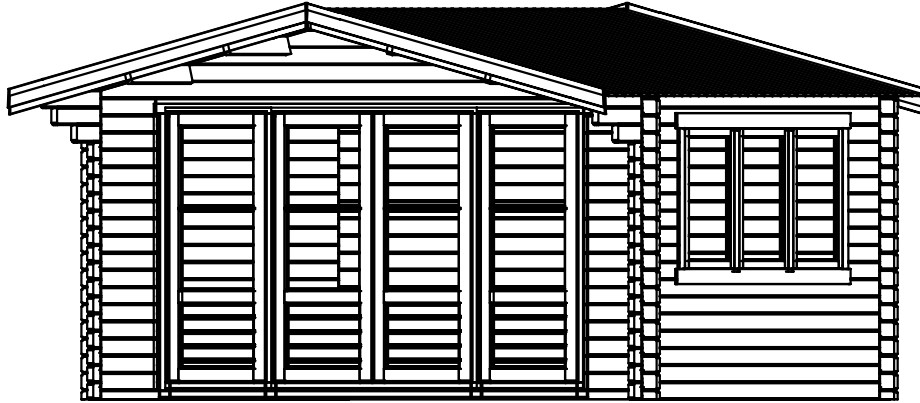
PAGE/PAGES: **3/8**

BUILDING CODE **BLACKPOOL**

WALL LOG (mm): 58

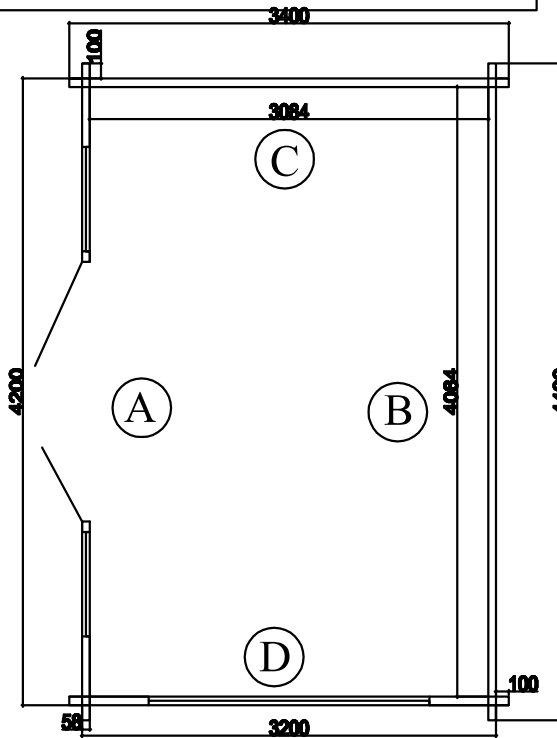
SIZE (mm): 4400x3400

ISOMETRIC VIEW



TOP VIEW

A-FRONT
B-BACK
C-LEFT
D-RIGHT



PACKAGE NR.:

MNFCT. ORDER NR.:

CONTROL 1
SIGNATURE

CONTROL 2
SIGNATURE

PAGE/PAGES: **2/8**

Always keep the package number saved! Without package number their is no guarantee.:
 Package number:

WALL LOG (mm): 58

BUILDING CODE **BLACKPOOL**

SIZE (mm): 4400x3400

COMPONENT SPECIFICATION

NUMBER	COMPONENT FUNCTION	COMPONENT CODE	VIEW	SIDE VIEW	DIMENSIONS (mm)			QUANTITY (psc.)
					LENGHT	WIDTH	THICKNESS	
1	Wall board	A2			560	115	58	16
2	Wall board	A3			560	115	58	16
3	Wall board	A4			4400	115	58	1
4	Wall board	B2			4400	115	58	17
5	Wall board	C1, D1			3400	115	58	22
6	Wall board	C2			3618	115	58	1
7	Wall board	C3, D6			3884	115	58	2
8	Wall board	C4, D7			4250	115	58	2
9	Wall board	D2			3400	115	58	1
10	Wall board	D3			615	115	58	7
11	Wall board	D4			615	115	58	8
12	Wall board	D5			833	115	58	1
13	Wall board	A1, B1			4400	55	58	2
14	Wall board	A5, B3			4400	58	2	
15	Roof board				2370	110	19	79
16	Window				2126	966		1
17	Door				3250	1880		1
18	Roof cover fixture				2420	120	16	4
19	Roof cover fixture				2420	100	16	4
20	Roof cover fixture				2440	100	16	4
21	Rim				3200	42	16	2
22	Rim of door				3377	100	16	2
23	Partition of door				1220	28	16	4
24	Partition of door				620	28	16	8
25	Partition of window				760	28	16	3
26	Partition of window				570	28	16	6
27	Beam				4250	40	40	2
28	Beam				4250	125	55	5
29	Diamond							1
30								
31								
32								
33								
34								
35								
36								
37								
38								
39								
40								

PACKAGE NR.:	MNFCT. ORDER NR.:	PAGE/PAGES: 1/8
CONTROL 1 SIGNATURE	CONTROL 2 SIGNATURE	