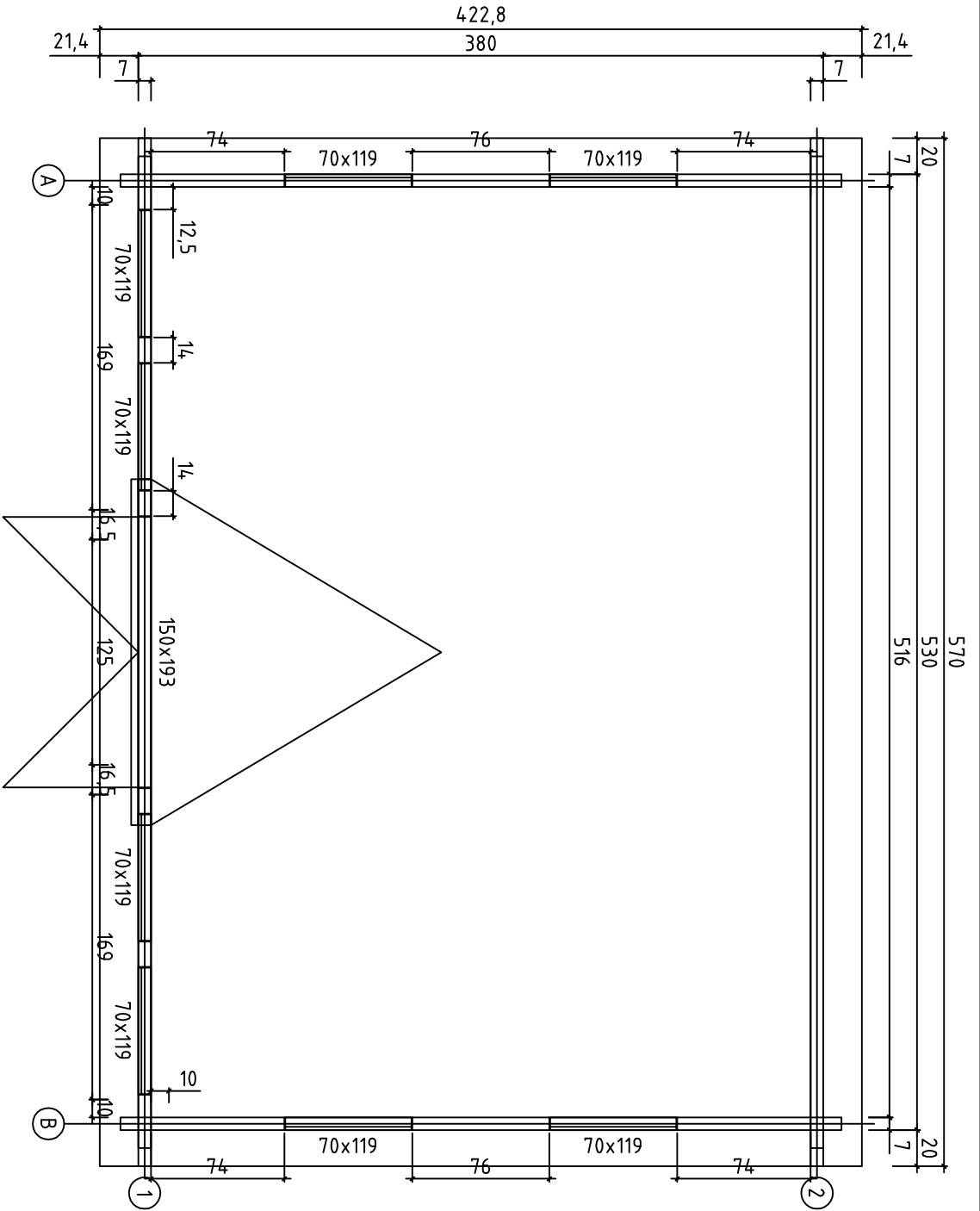


Date rev. Description

V 1.0

House	Clockhouse Trevor 70 wo floor	Sheet	1
Drawing	3D	Scale	
Material	70x135	Date	08.04.2020
Drawer	K.K.	File	Clockhouse Trevor 70 wo floor 3D.dwg



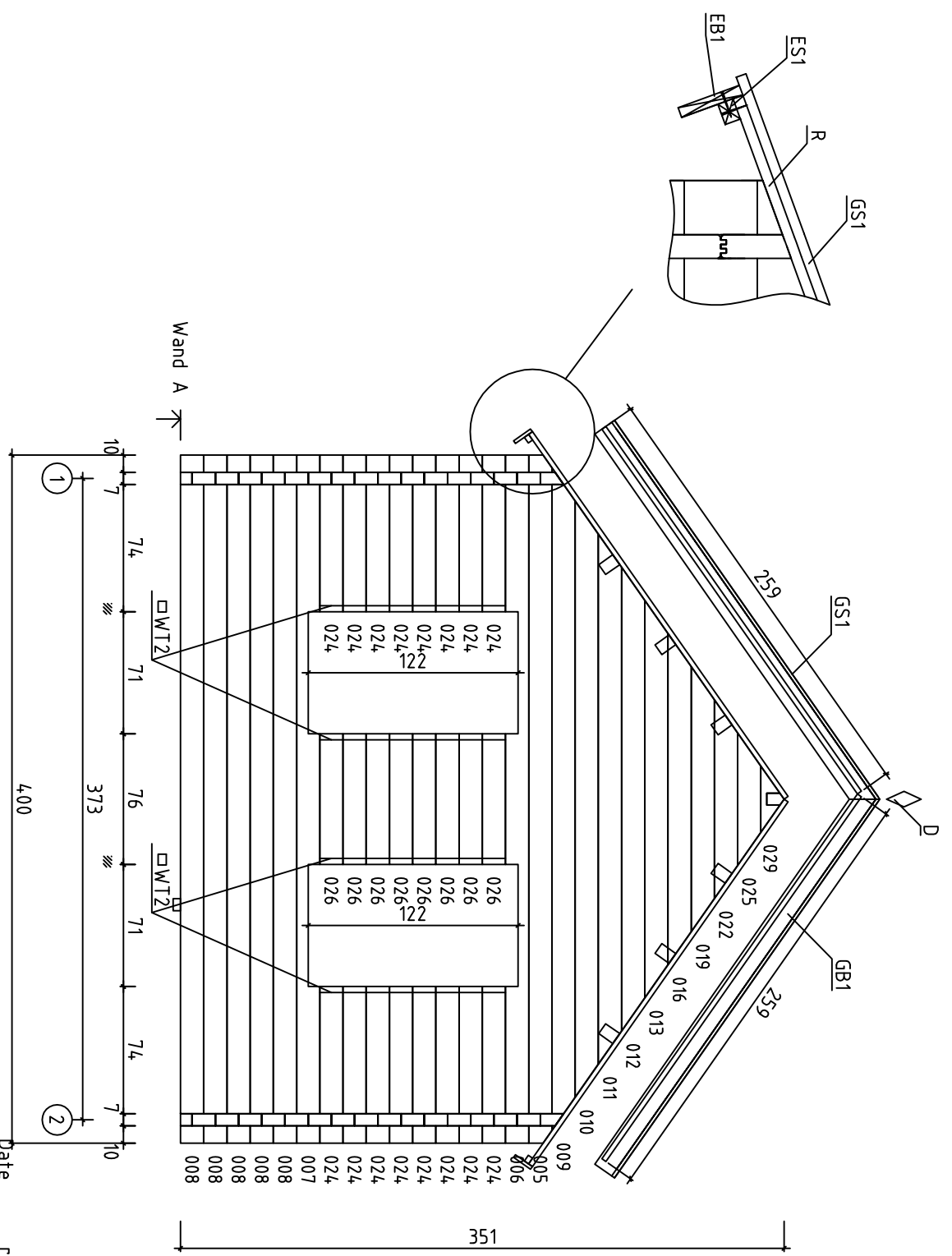
Date rev. Description

House Clockhouse Trevor 70 wo floor Sheet 2

Drawing Groundplan-Grundplan-plan Scale 1:35

Material 70x135 Date 16.12.2021

Drawer K.K. File Clockhouse Trevor 70 wo floor.dwg



Date rev. Description

House Clockhouse Trevor 70 wo floor Sheet 3

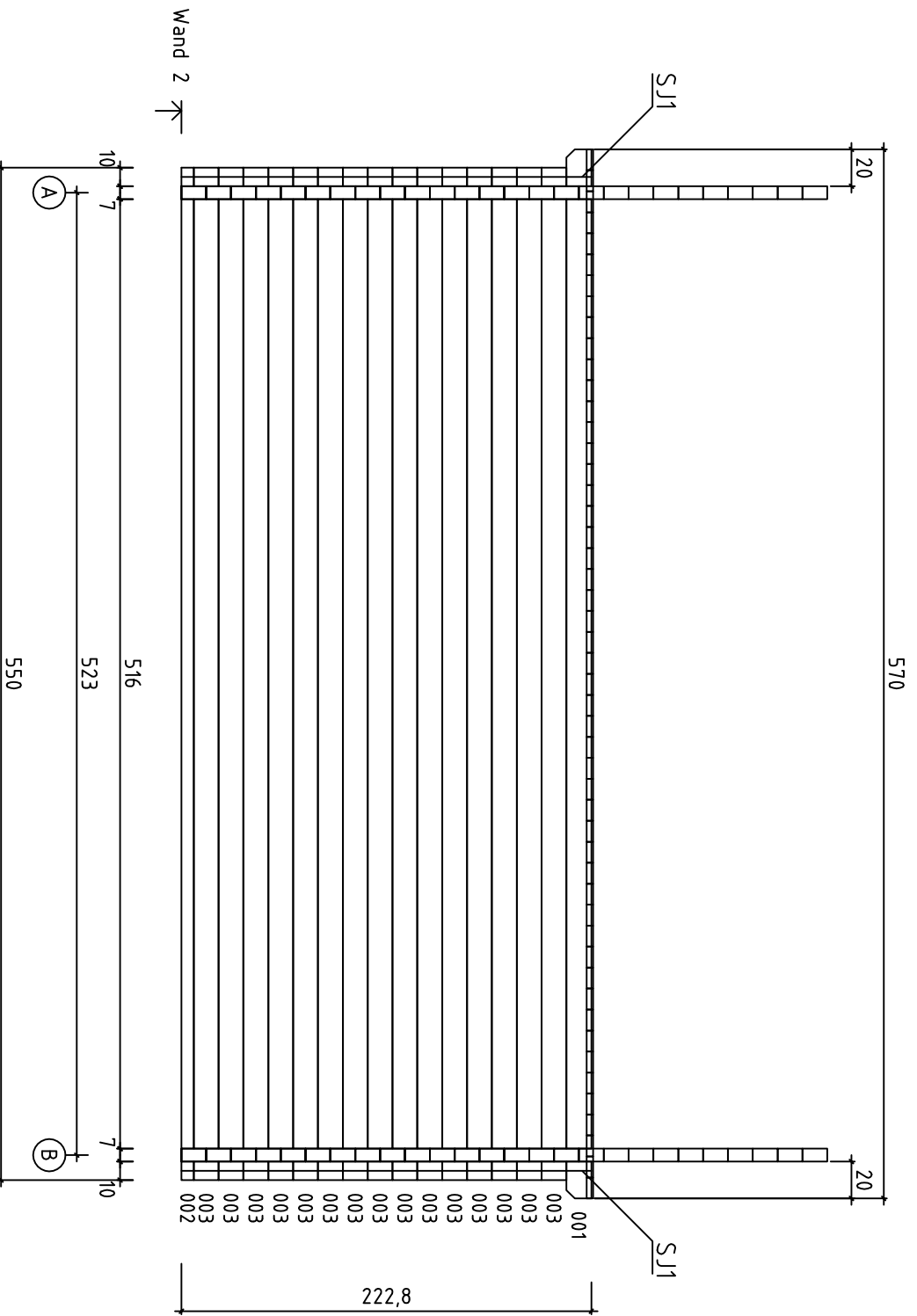
Drawing Groundplan-Grundplan-plan Scale 1:35

Material 70x135 Date 16.12.2021

Drawer K.K. File Clockhouse Trevor 70 wo floor.dwg







Date    rev.    Description

House	Clockhouse Trevor 70 wo floor	Sheet	6
Drawing	Grundplan-Grundplan-plan	Scale	1:35
Material	70x135	Date	16.12.2021
Drawer	K.K.	File	Clockhouse Trevor 70 wo floor.dwg