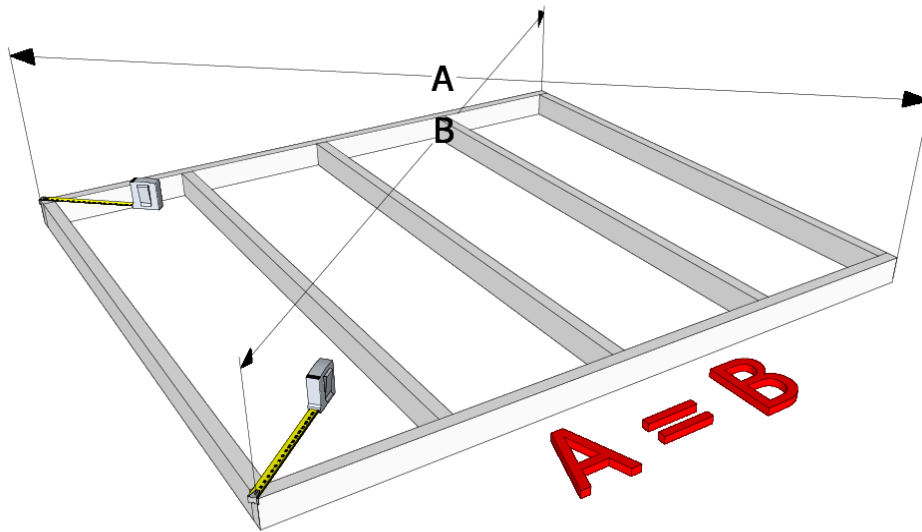


ELIN

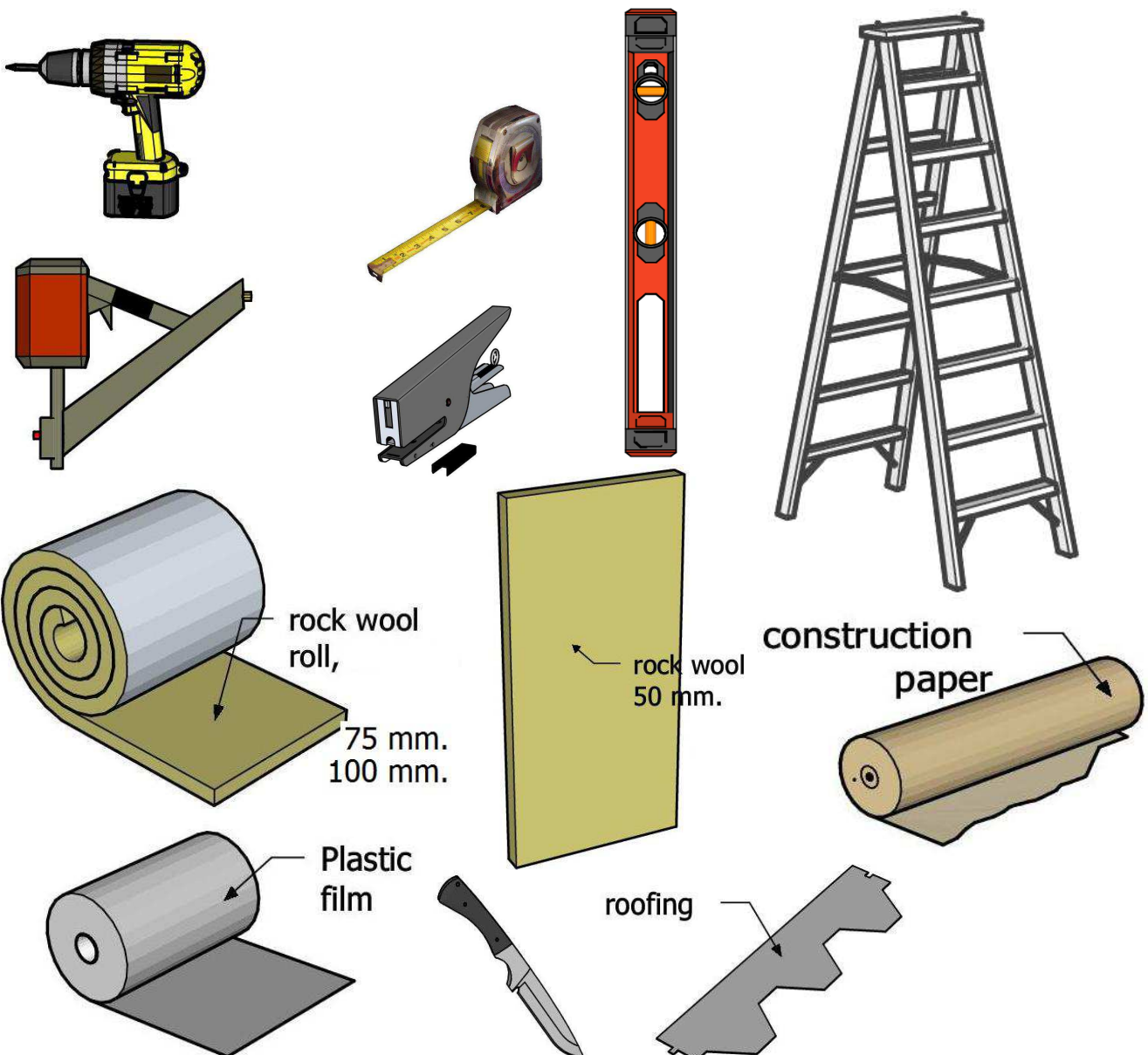
Assembly instruction

ATTENTION !

1/43



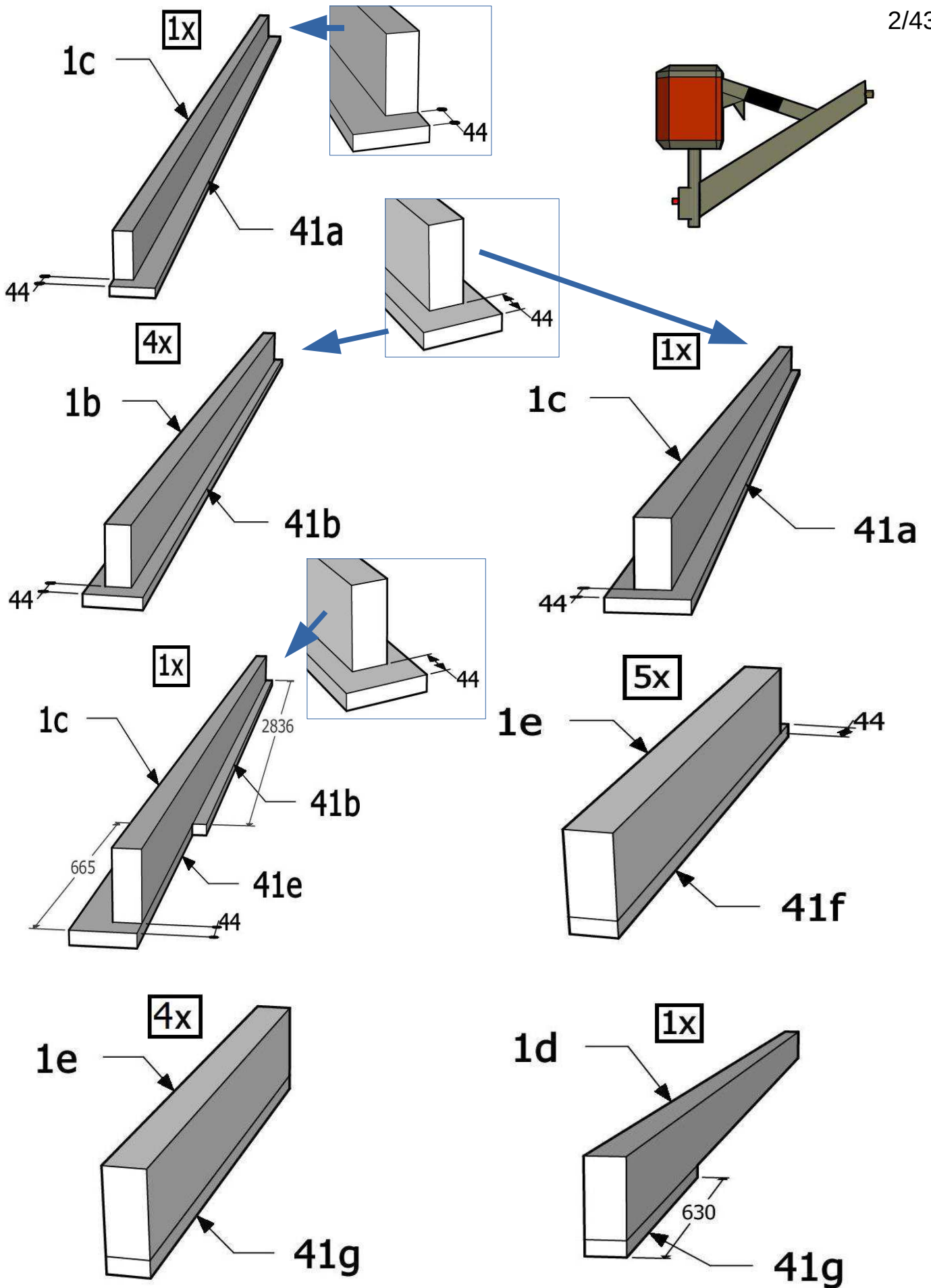
**You will need all these tools and materials for compilation.
The kit does not include these tools and materials.**



ELIN

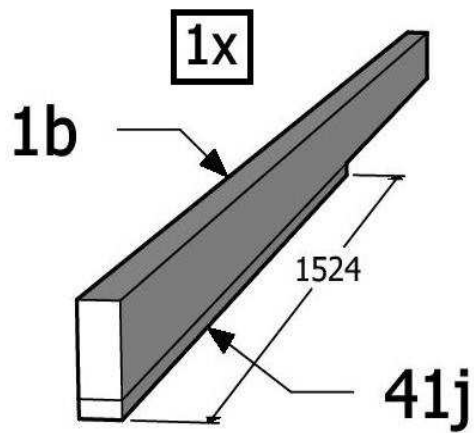
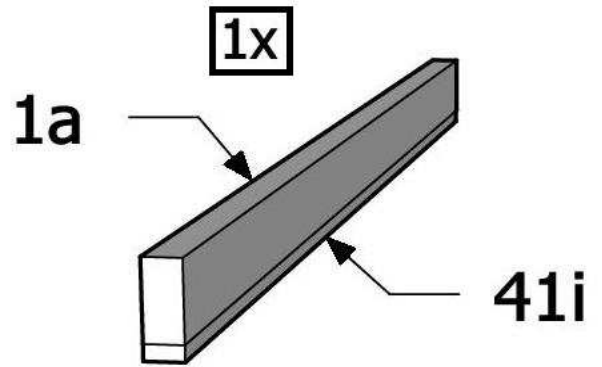
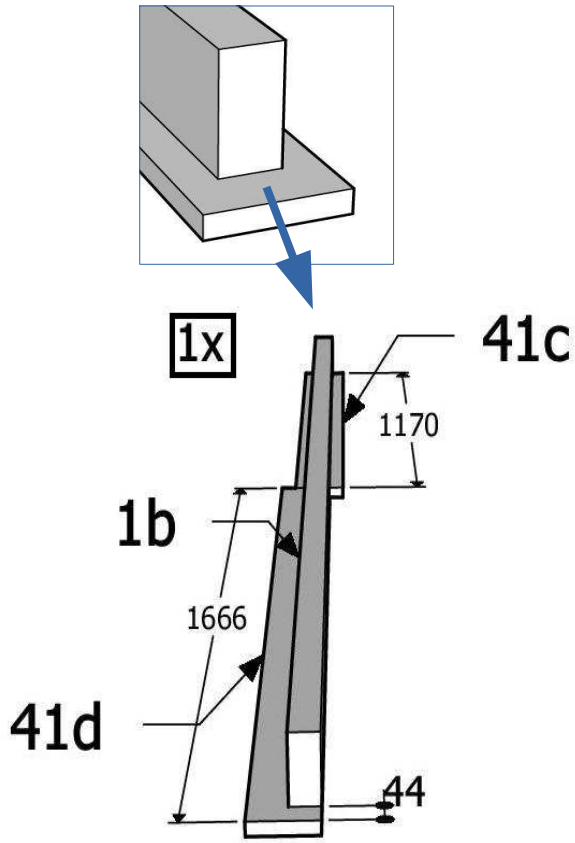
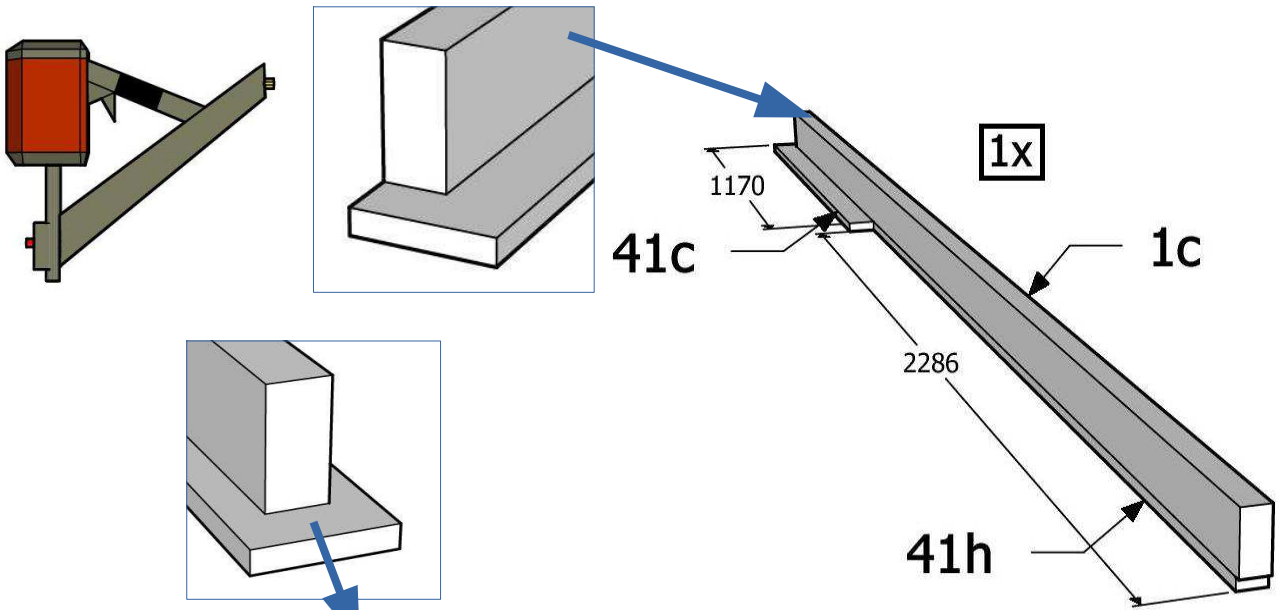
Assembly instruction

2/43



ELIN

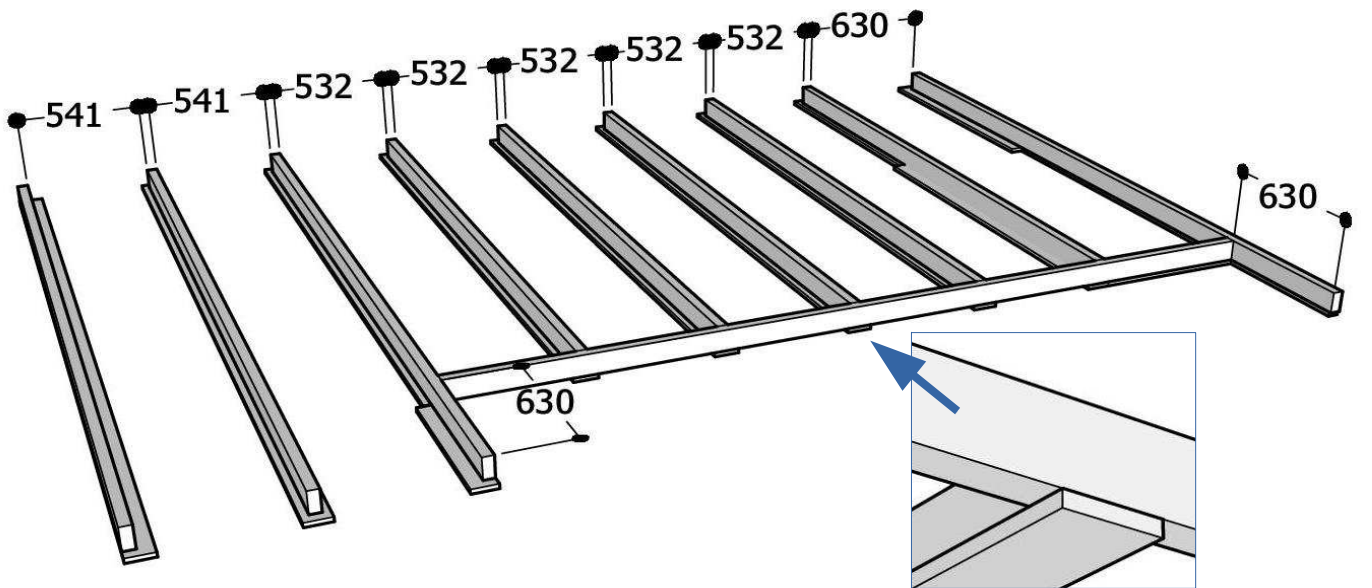
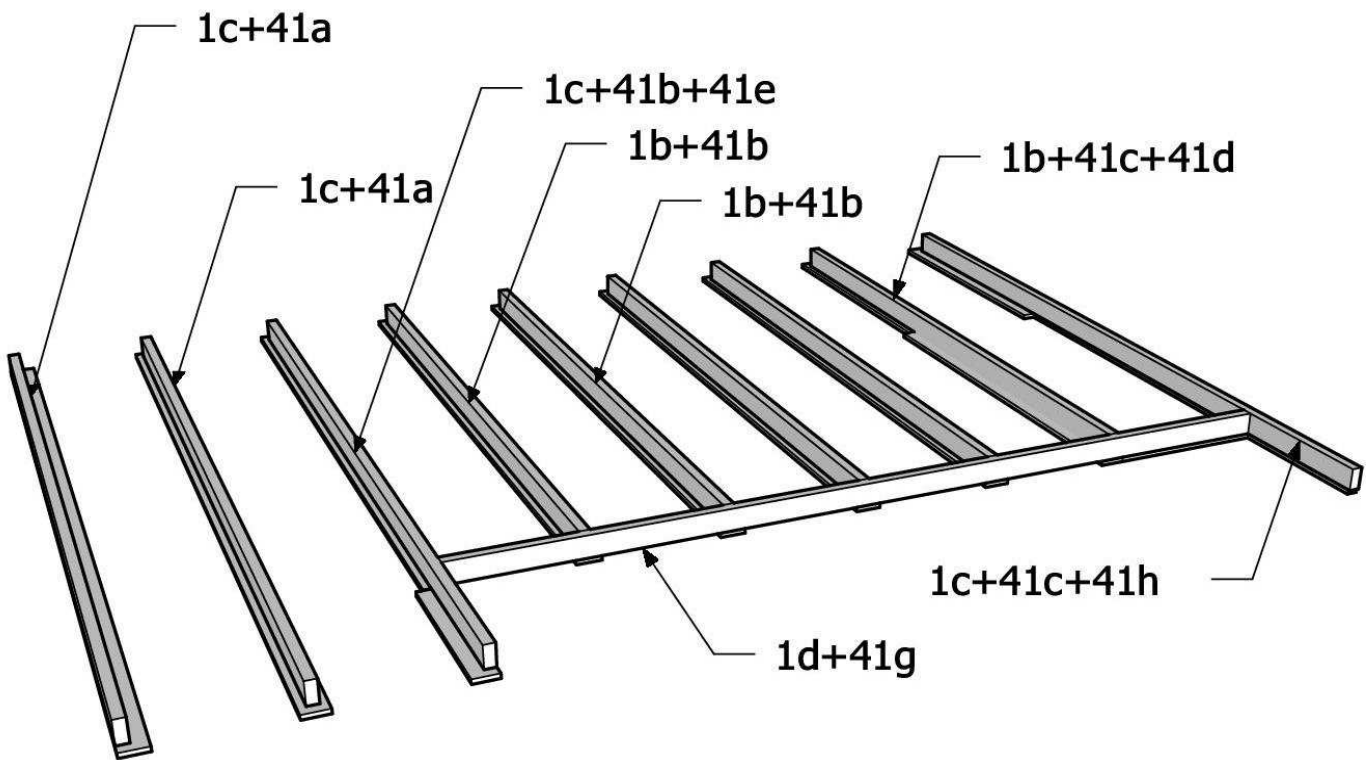
Assembly instruction



ELIN

Assembly instruction

4/43



1c,1b, 41a, ..b, ..c, ..d, ..e

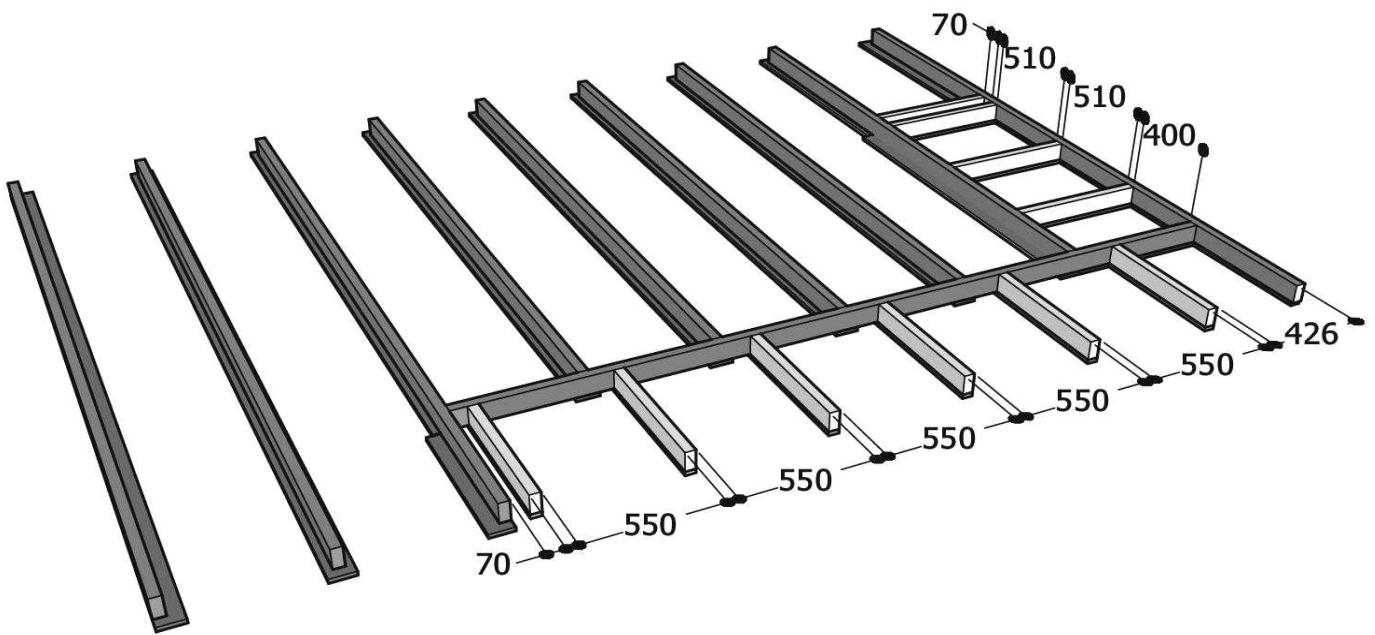
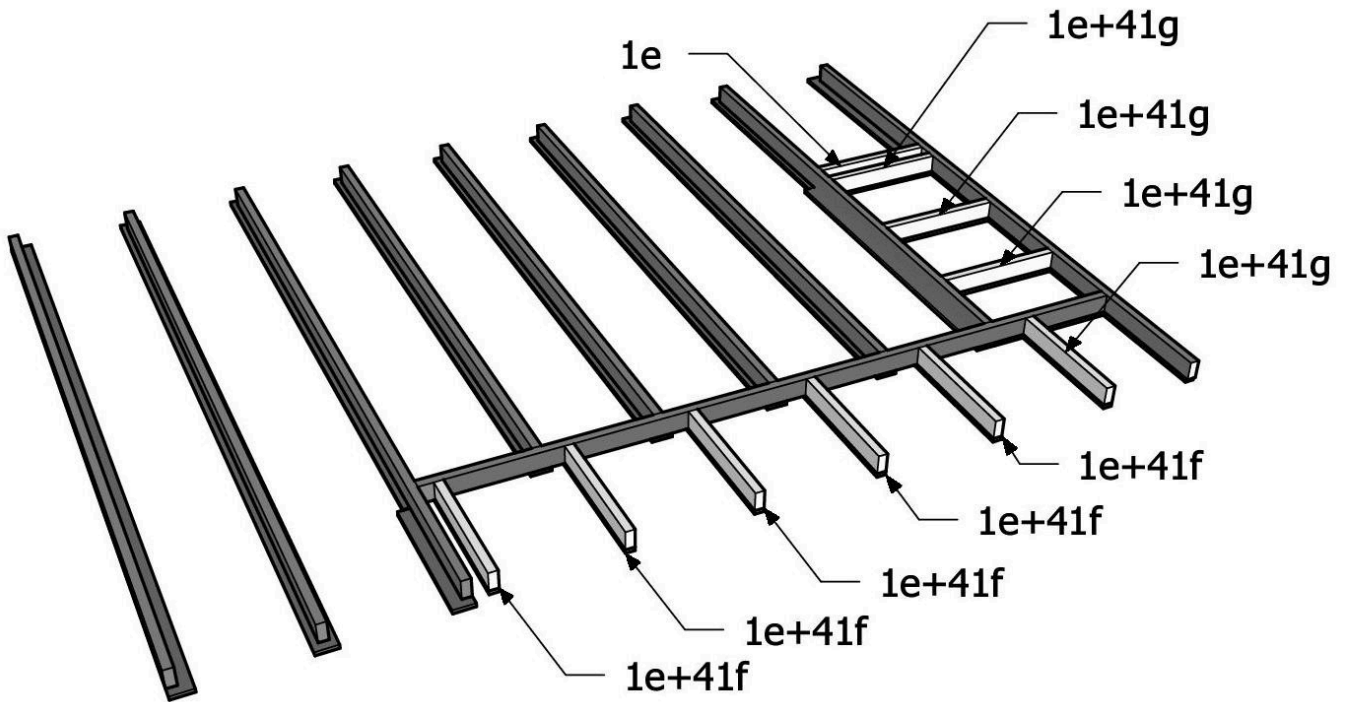
14

4,5 x 80

ELIN

Assembly instruction

5/43



1e, 41e, 41f, 41g

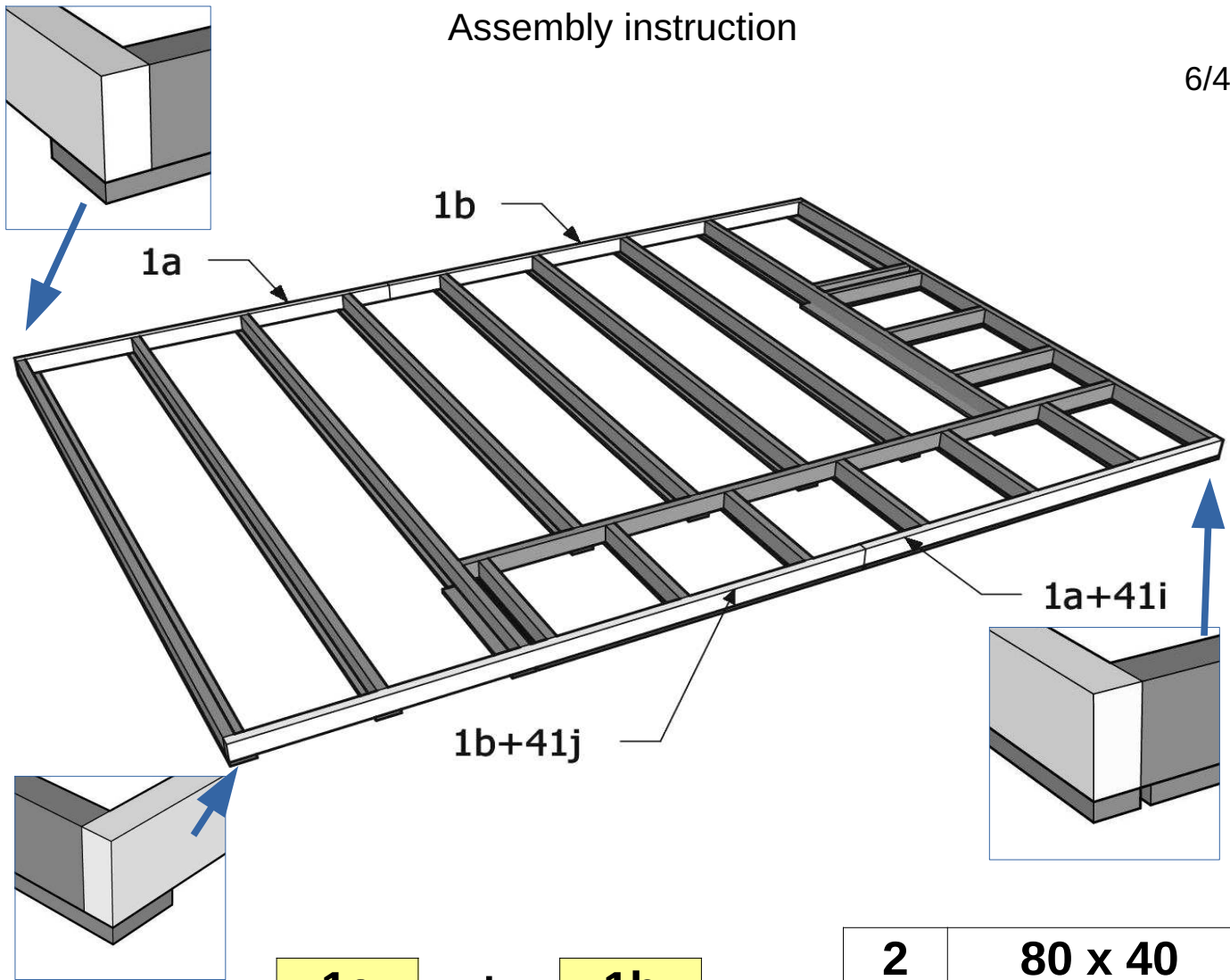
28

4,5 x 80

ELIN

Assembly instruction

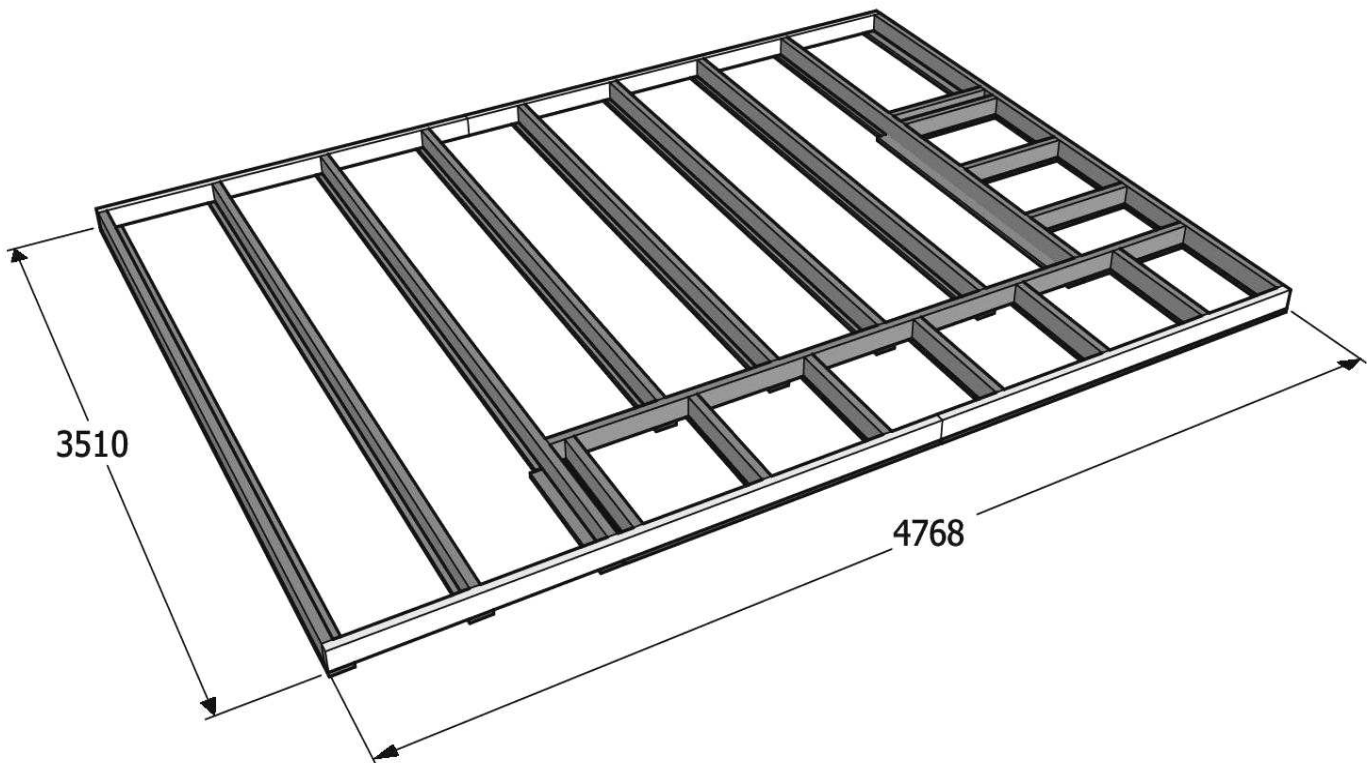
6/43



1a + **1b**
+ **1a+b**

2	80 x 40
16	3,5 x 40

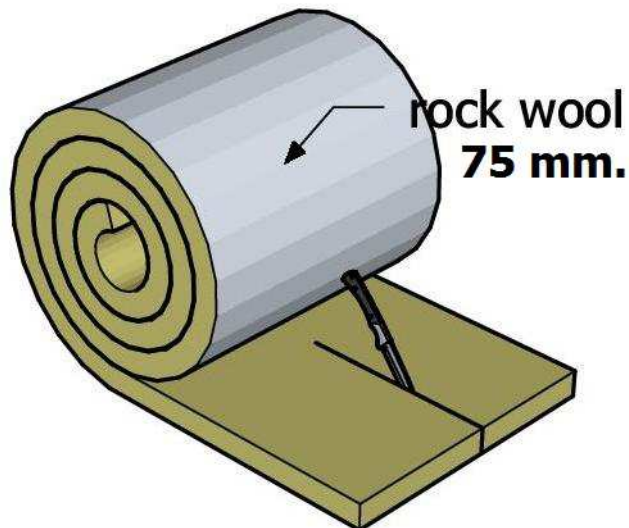
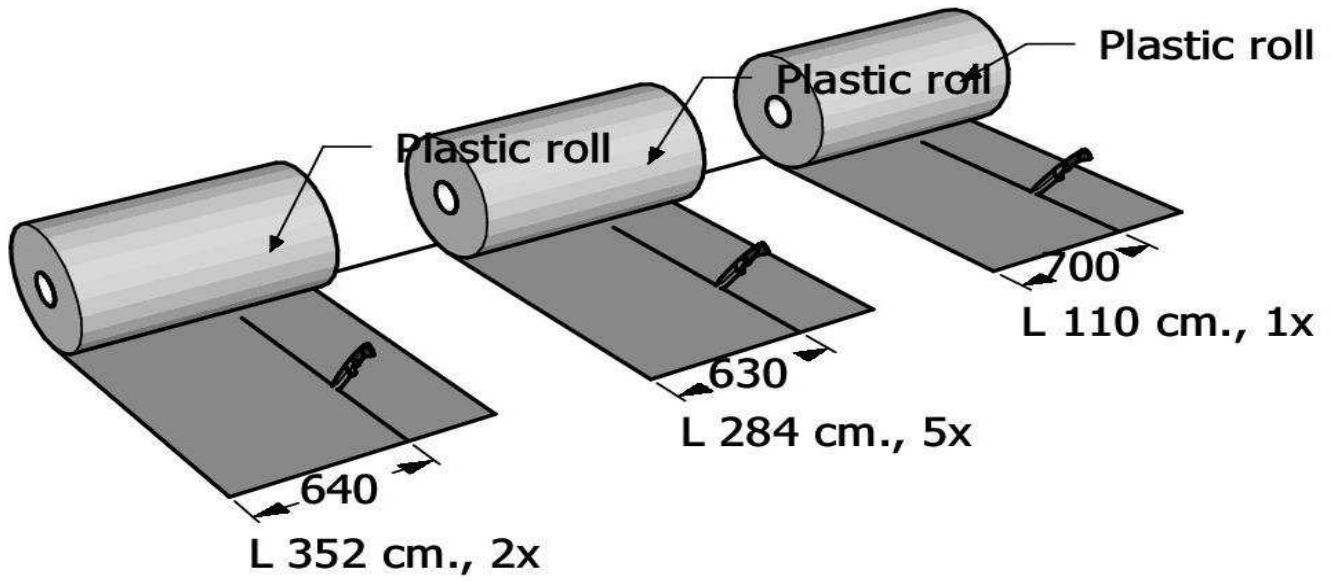
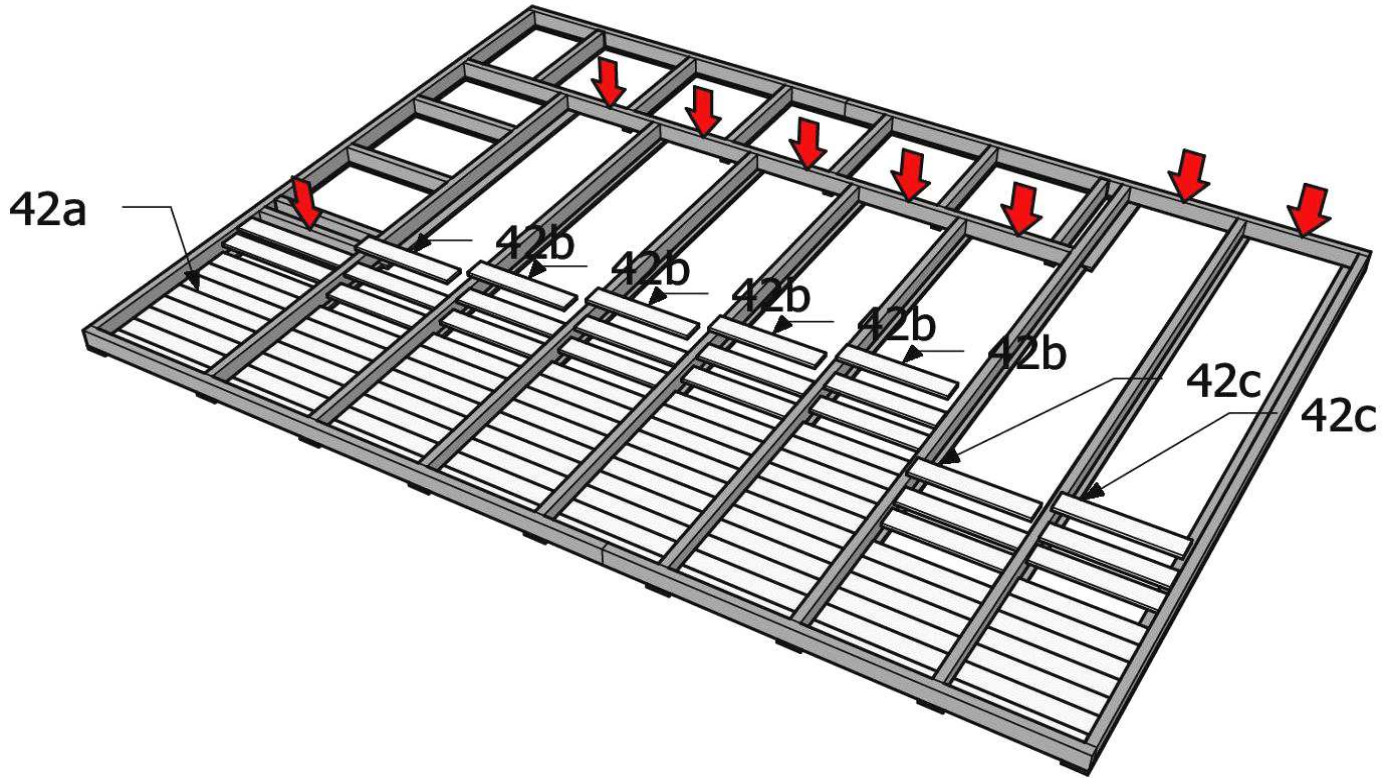
28	4,5 x 80
----	----------



ELIN

Assembly instruction

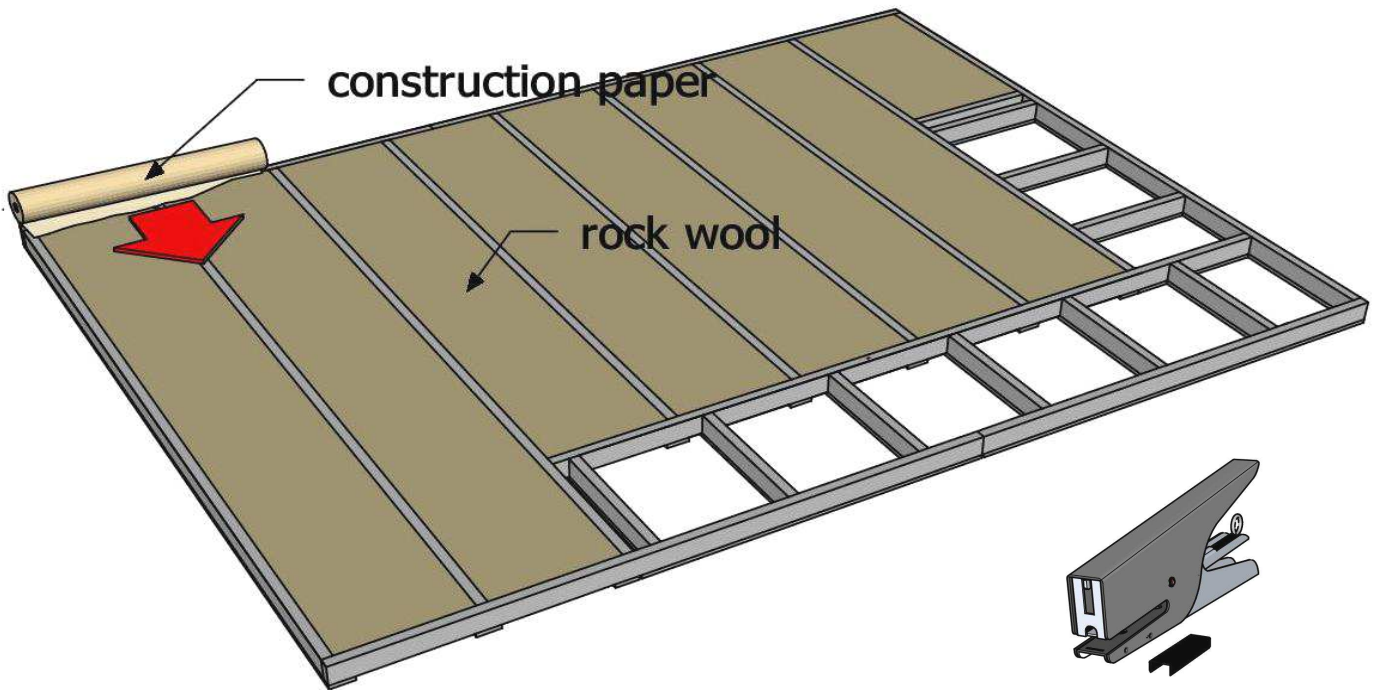
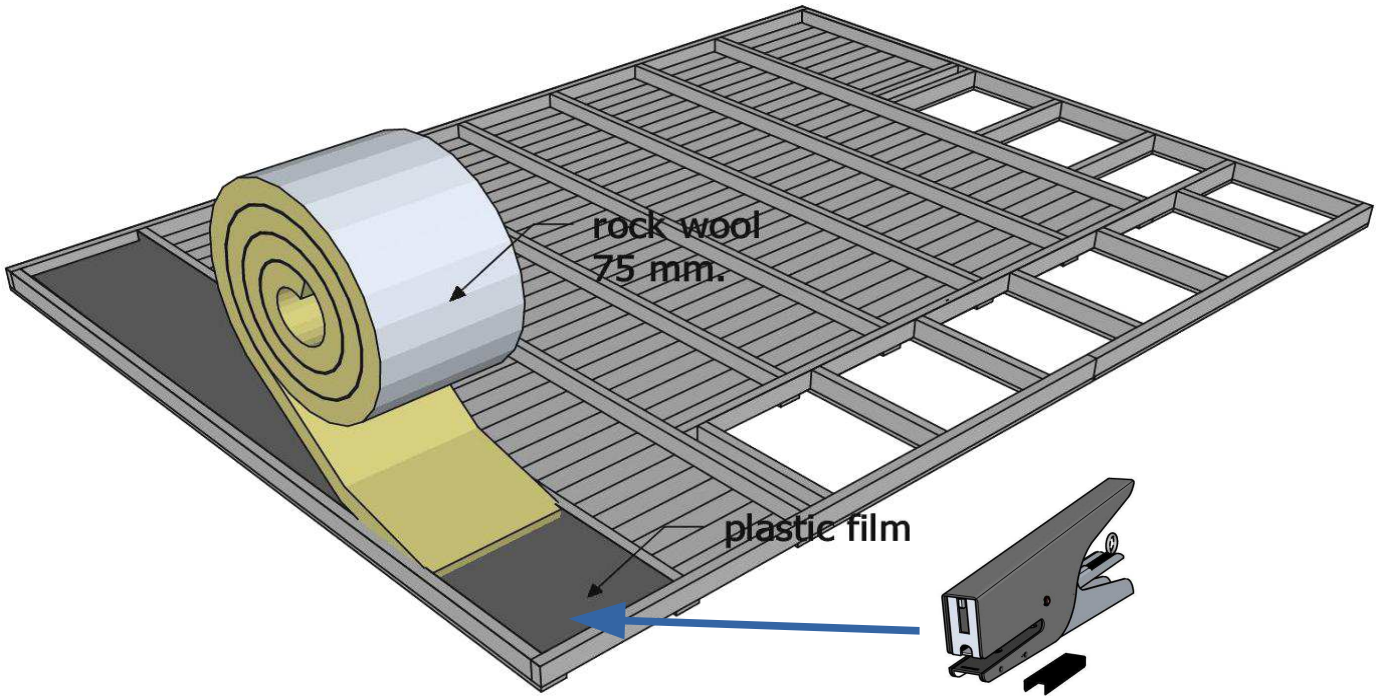
7/43



ELIN

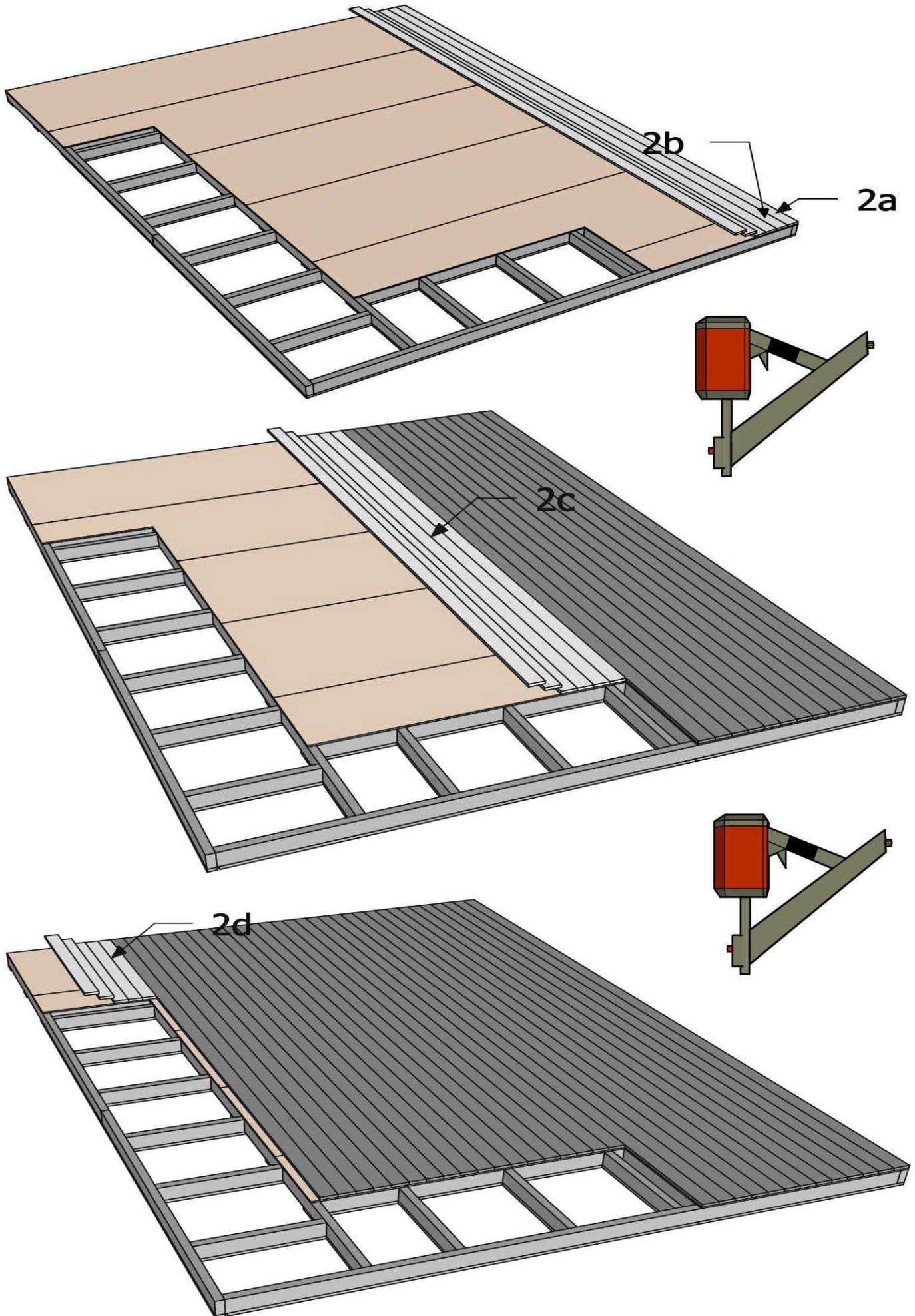
Assembly instruction

8/43



ELIN

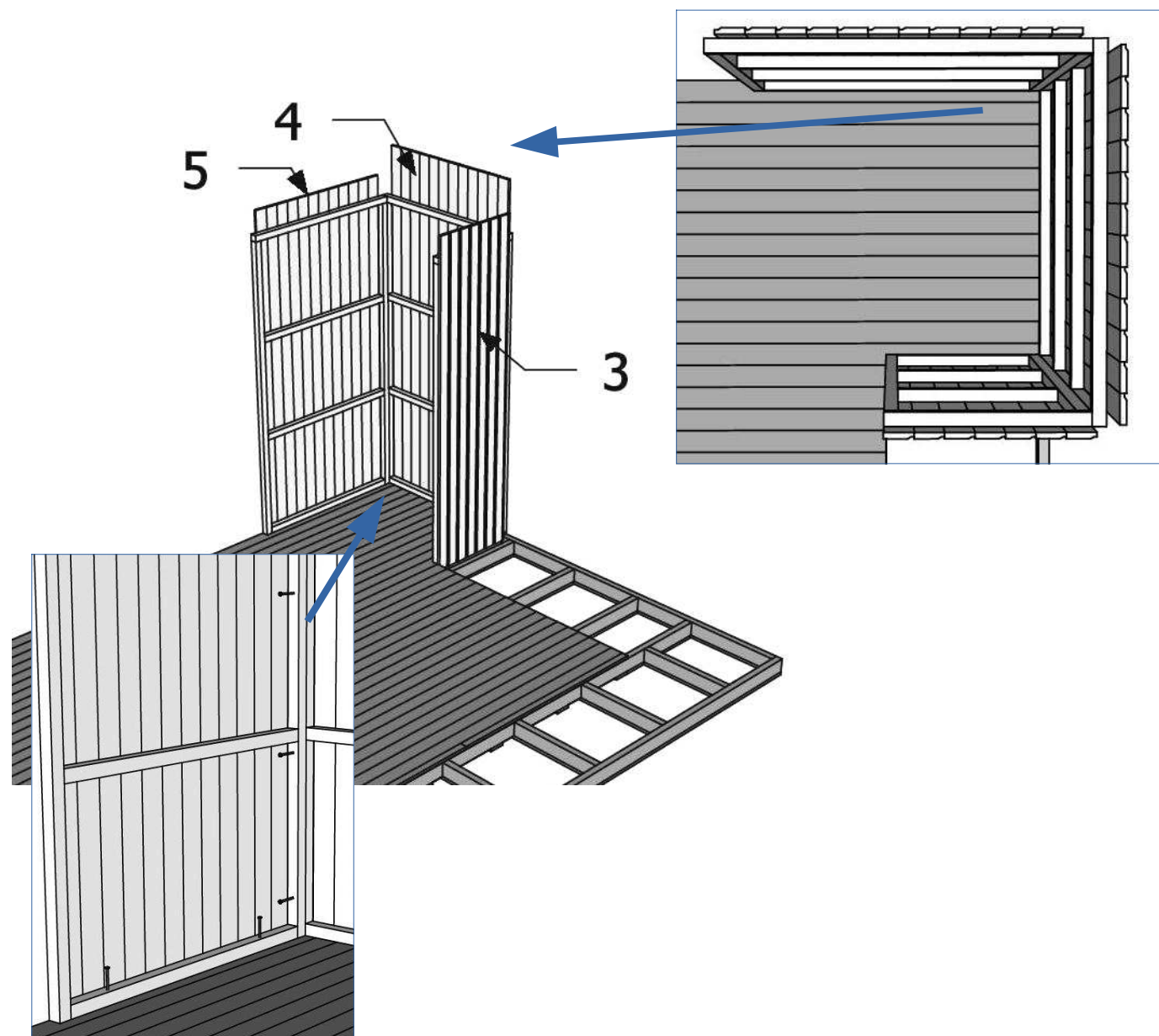
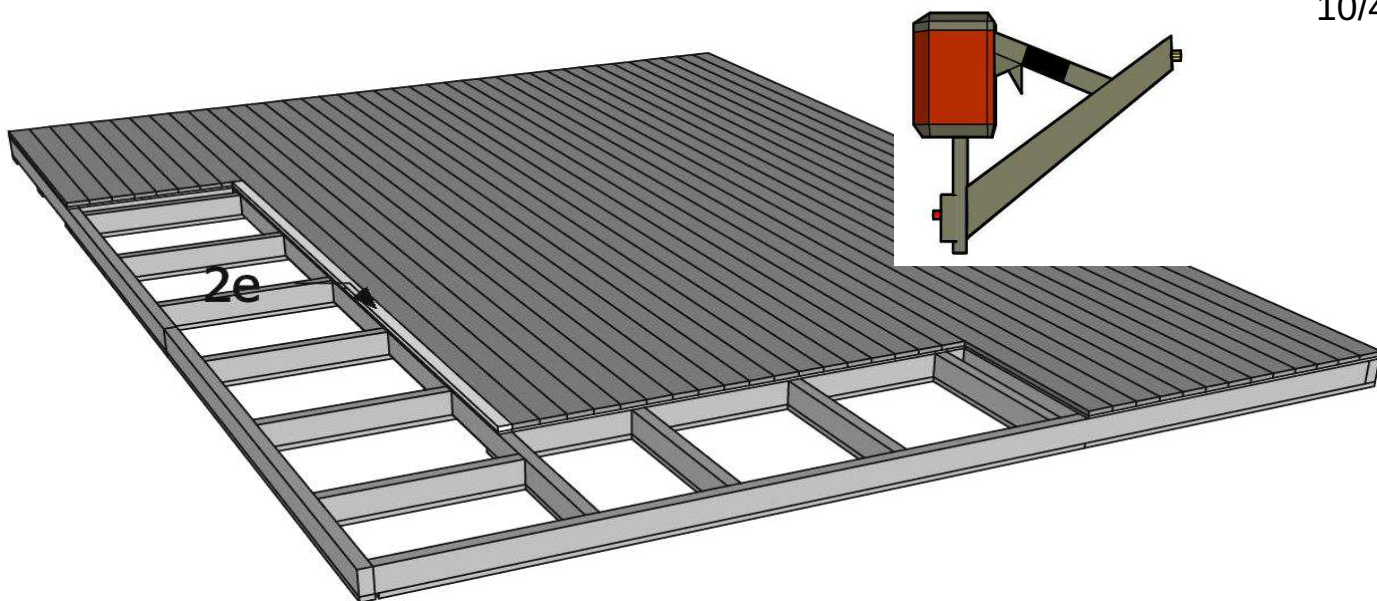
Assembly instruction



ELIN

Assembly instruction

10/43



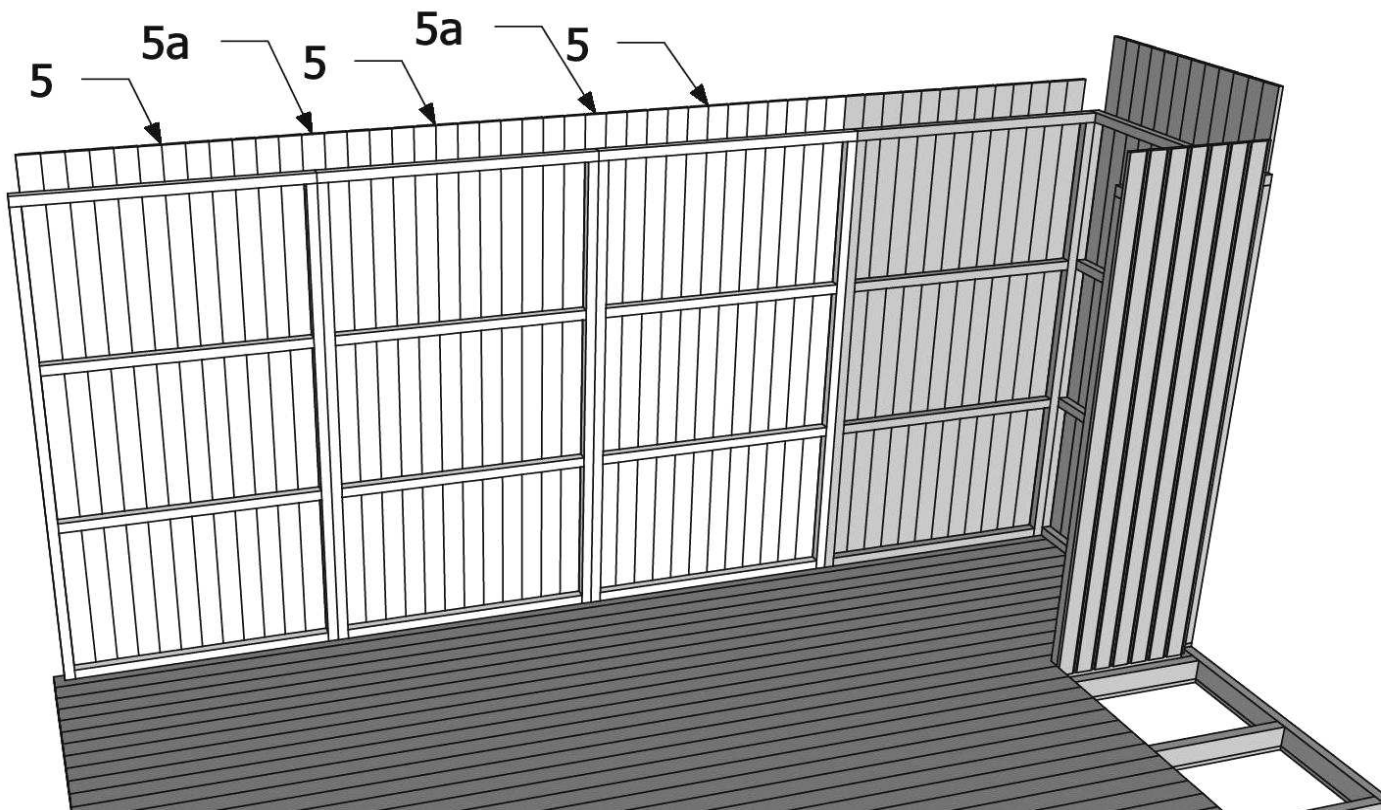
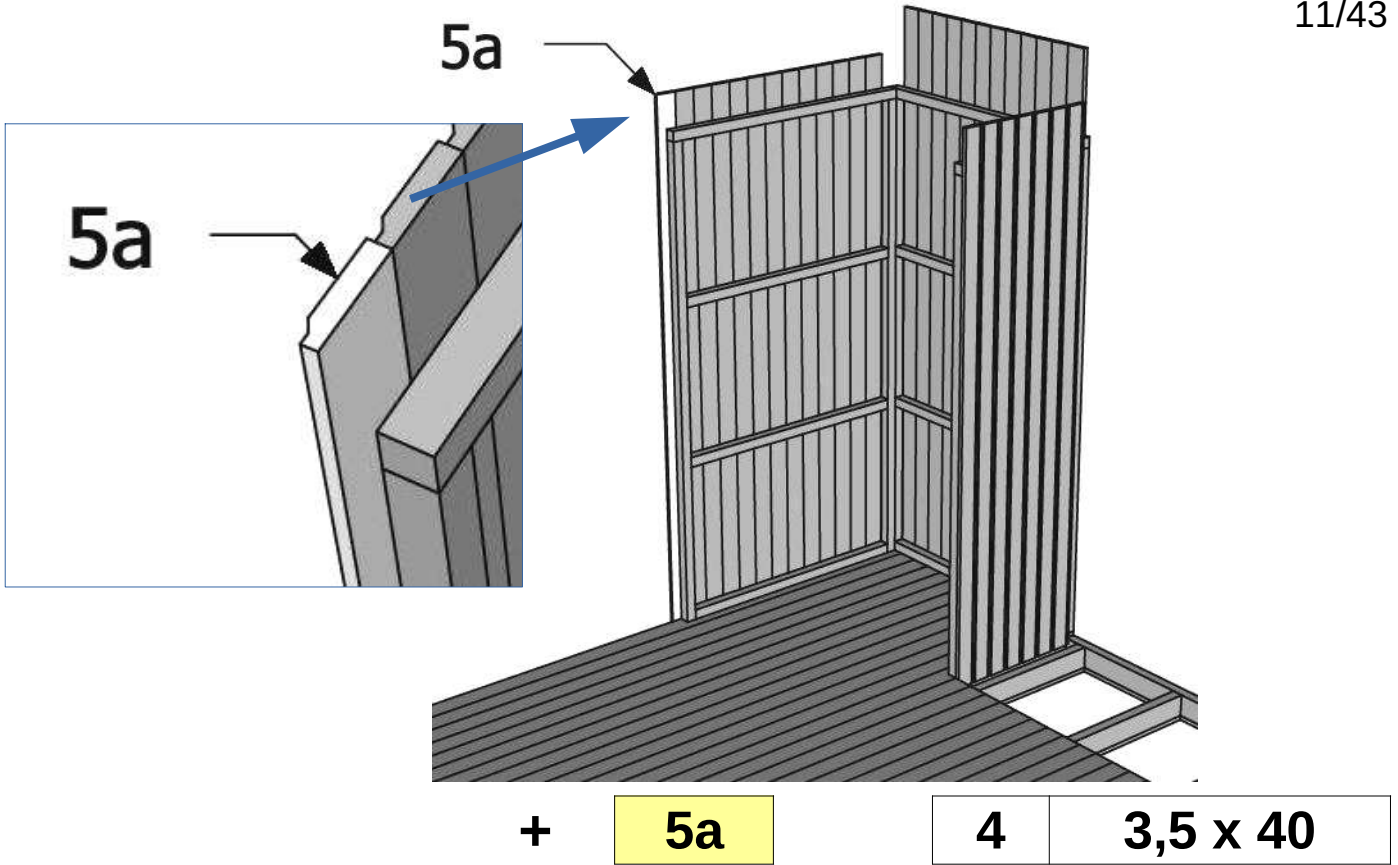
3	+	4	+	5
3	4	5	+	base

8	4,5 x 80
6	4,5 x 80

ELIN

Assembly instruction

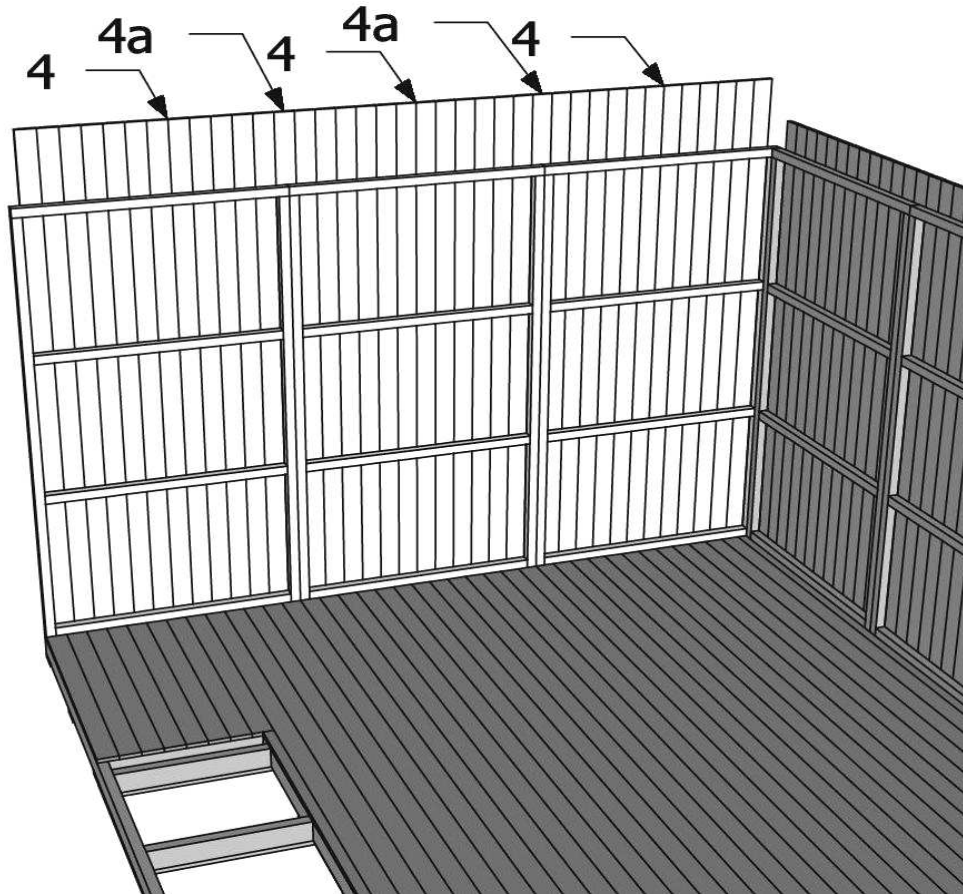
11/43



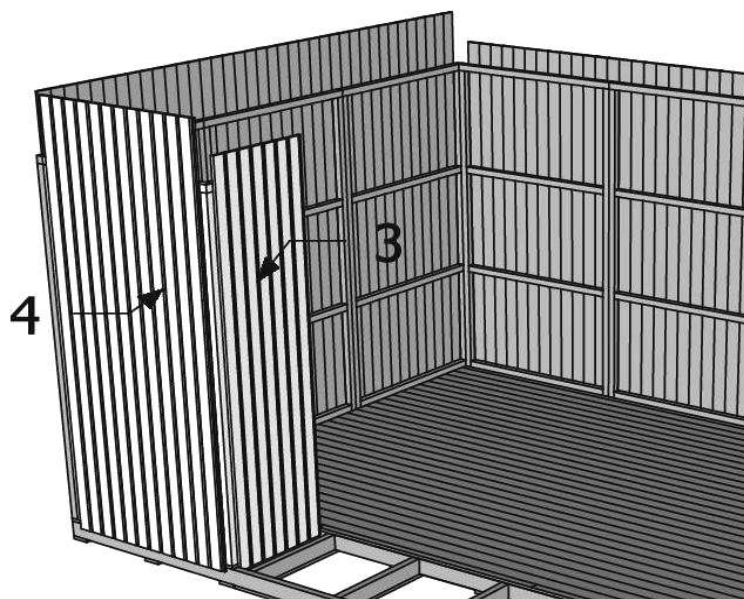
ELIN

Assembly instruction

12/43



	+	4a	8	3,5 x 40
	+	4	12	4,5 x 80
4	+	base	6	4,5 x 80

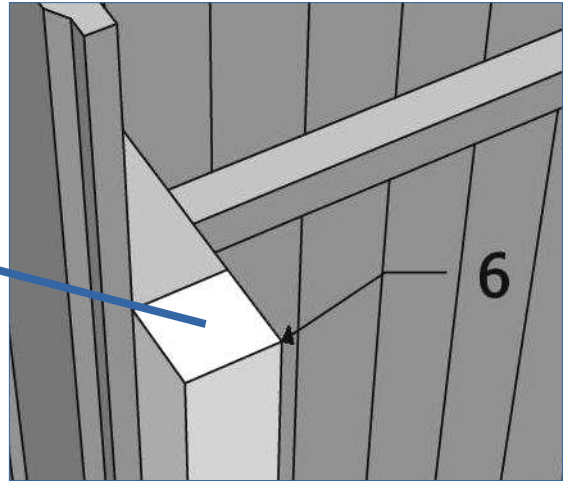
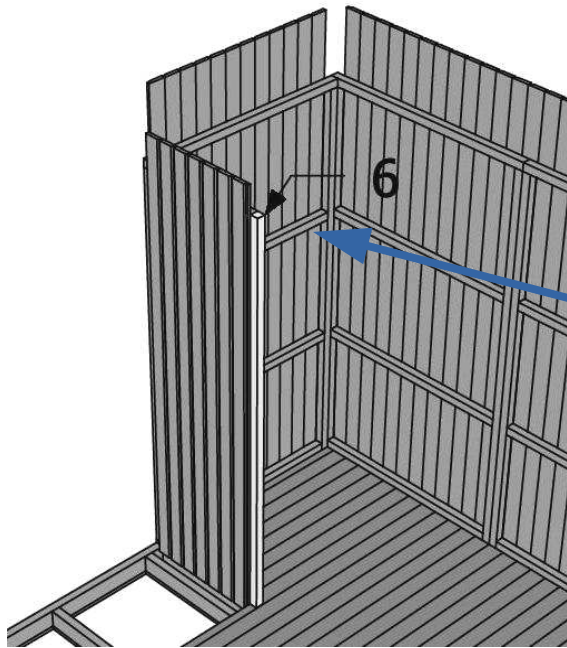


4	+	3	8	4,5 x 80		
4		3	+	base	6	4,5 x 80

ELIN

Assembly instruction

13/43

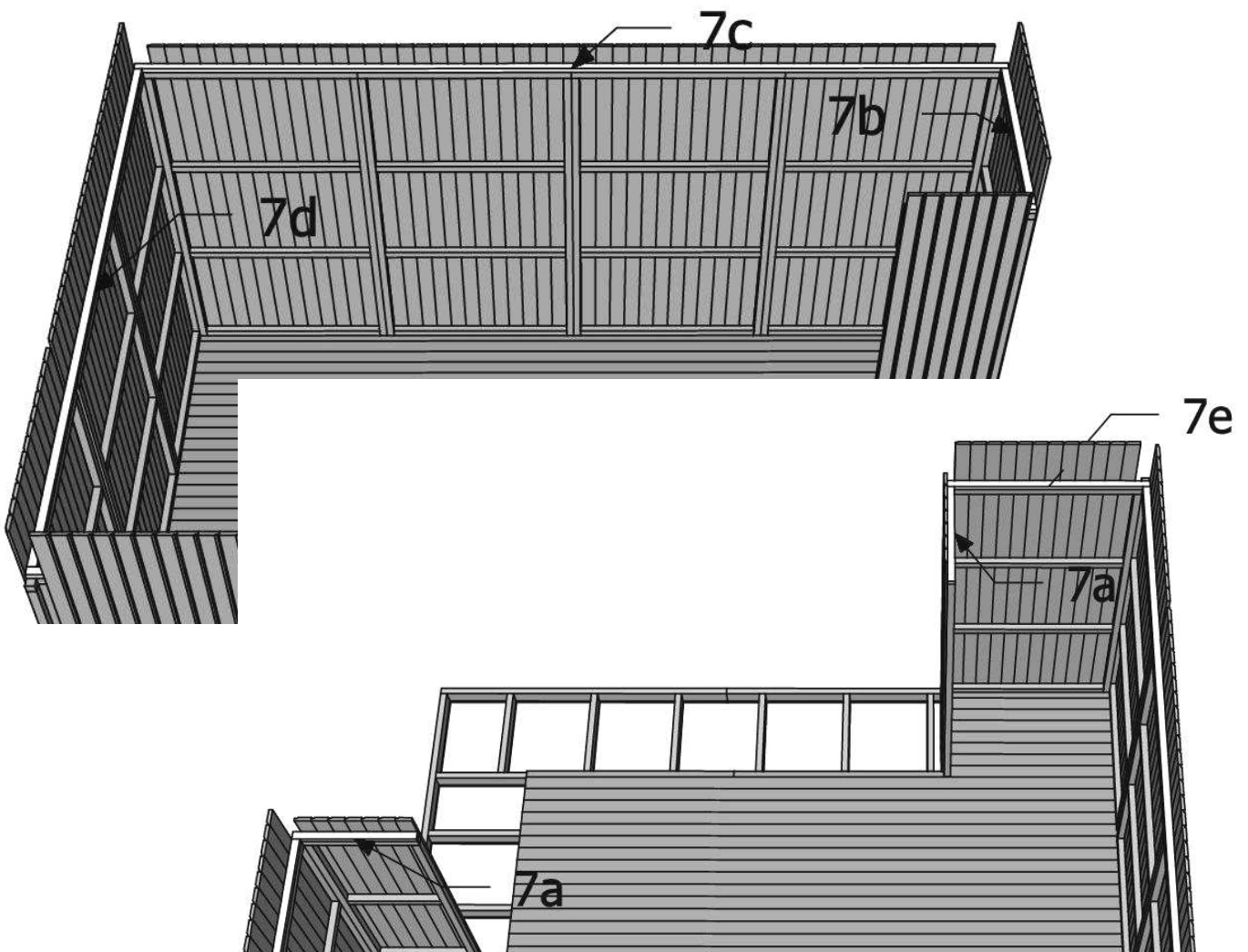


+

6

4

4,5 x 80



7a

+

7b

+

7c

24

4 x 60

+

7d

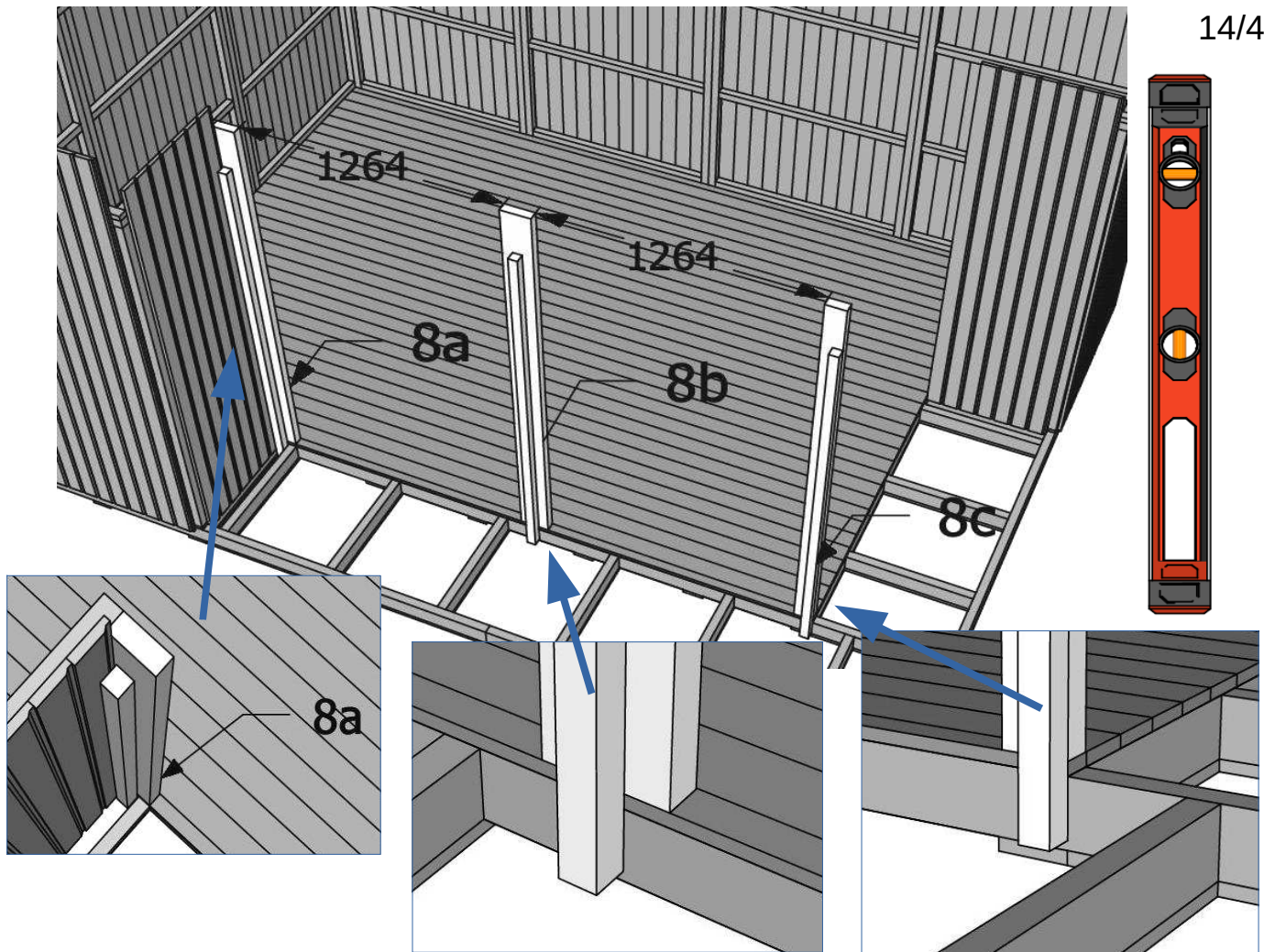
+

7e

ELIN

Assembly instruction

14/43



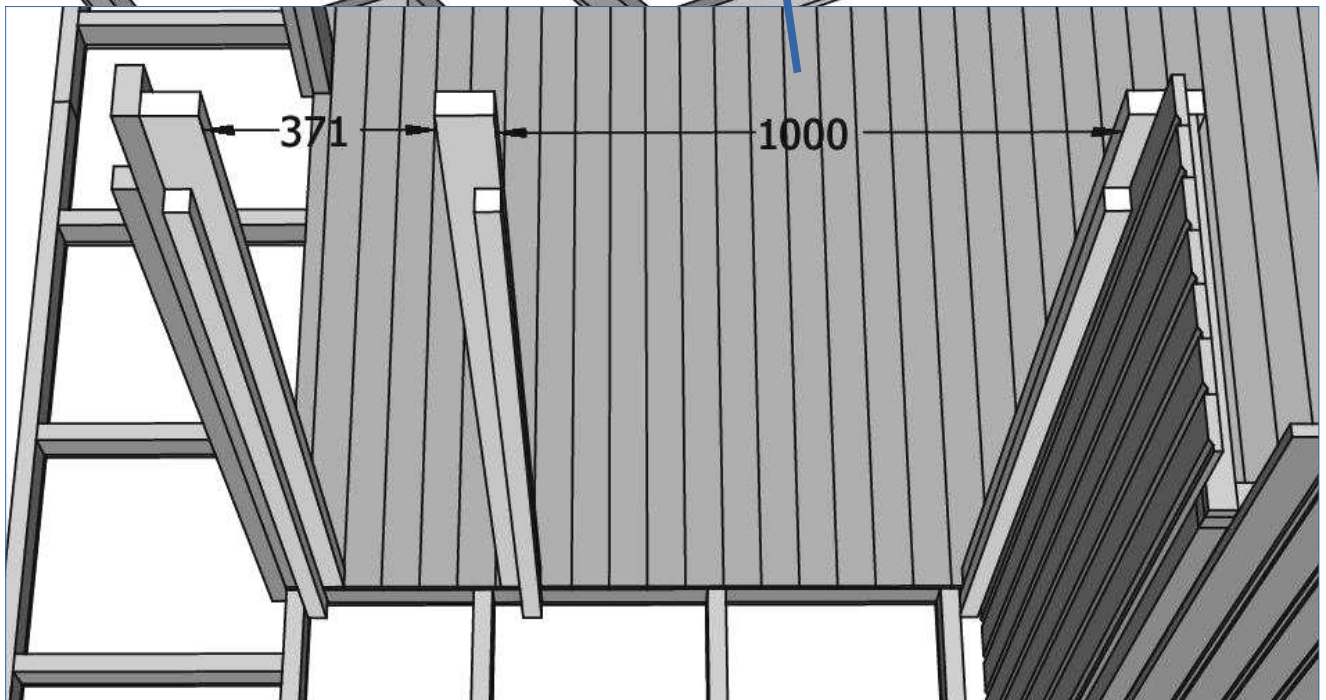
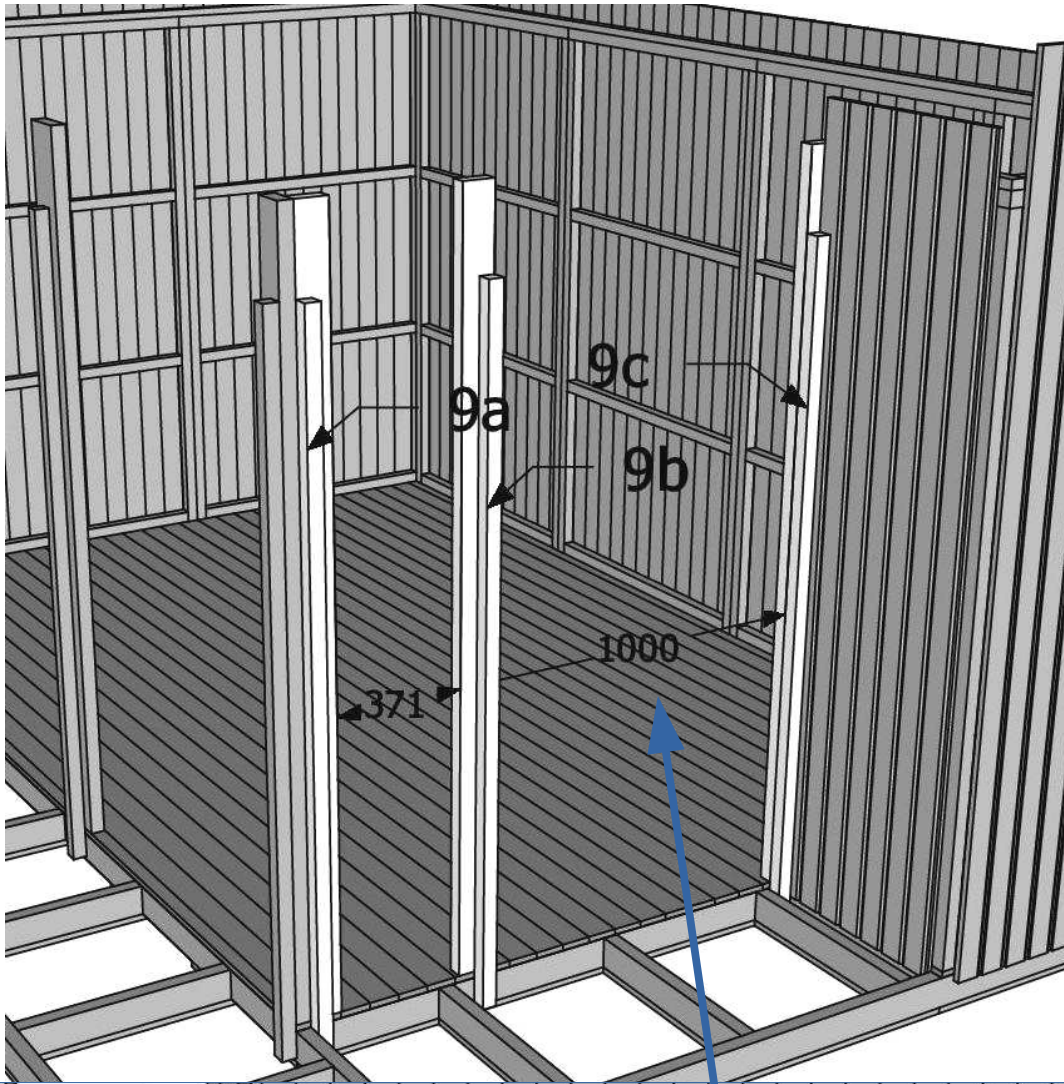
8a	+	8b	+	8c
	+	8b	+	8c

8	4,5 x 80
2	80 x 80 x 40
12	3,5 x 40

ELIN

Assembly instruction

15/43

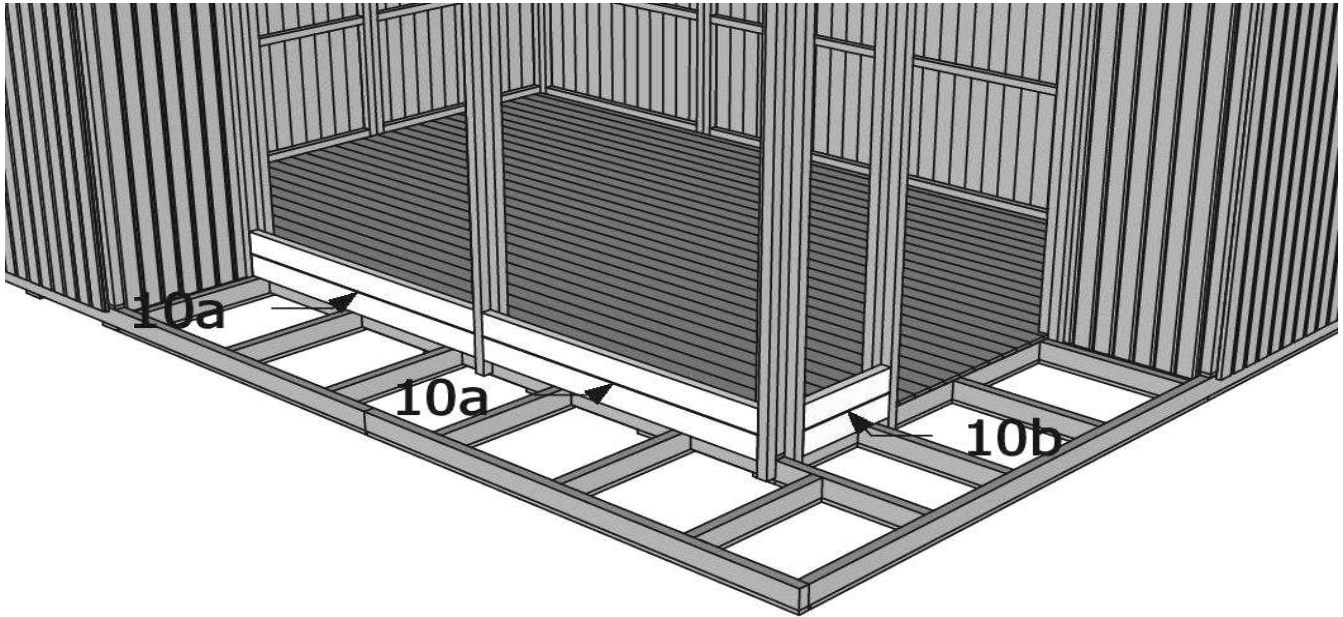


9a	+	9b	+	9c	9	4,5 x 80
	+	9a	+	9b	2	80 x 80 x 40
					12	3,5 x 40

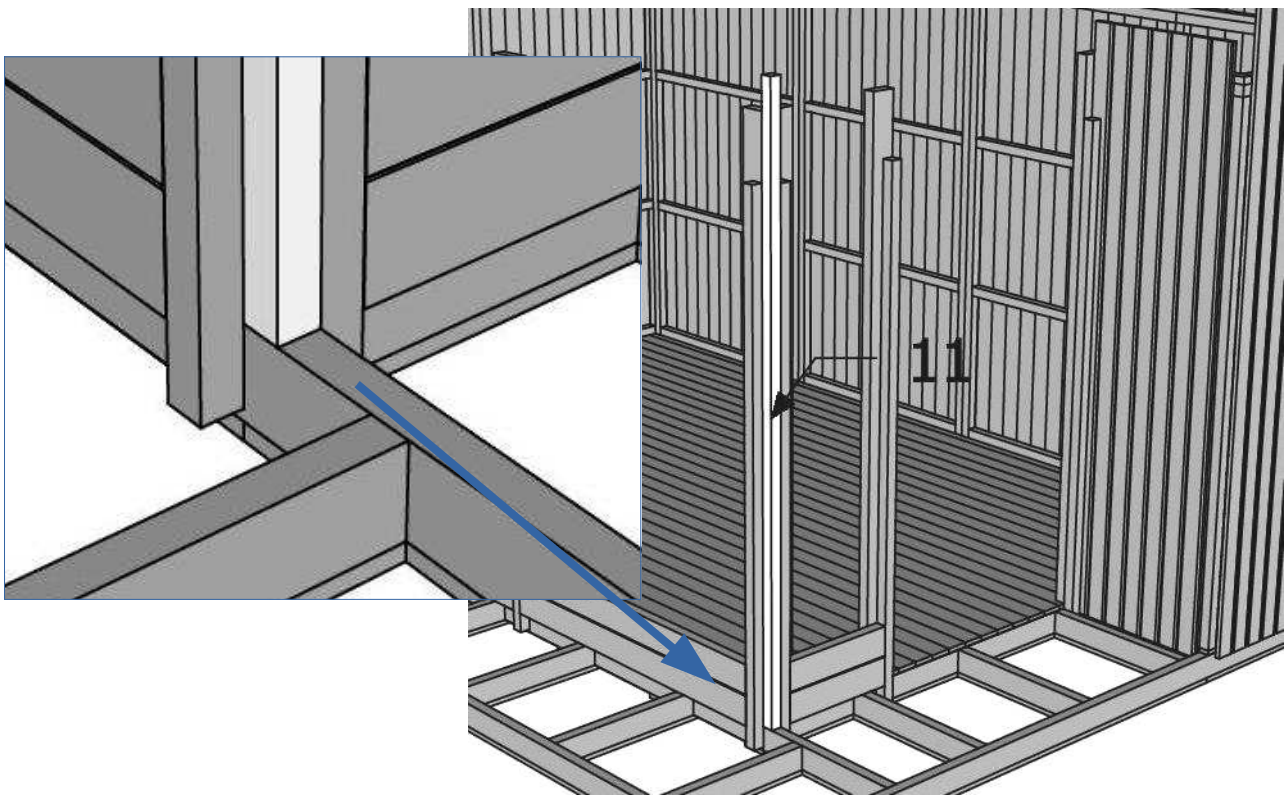
ELIN

Assembly instruction

16/43



10a	+	10b	24	4,5 x 80
------------	---	------------	-----------	-----------------

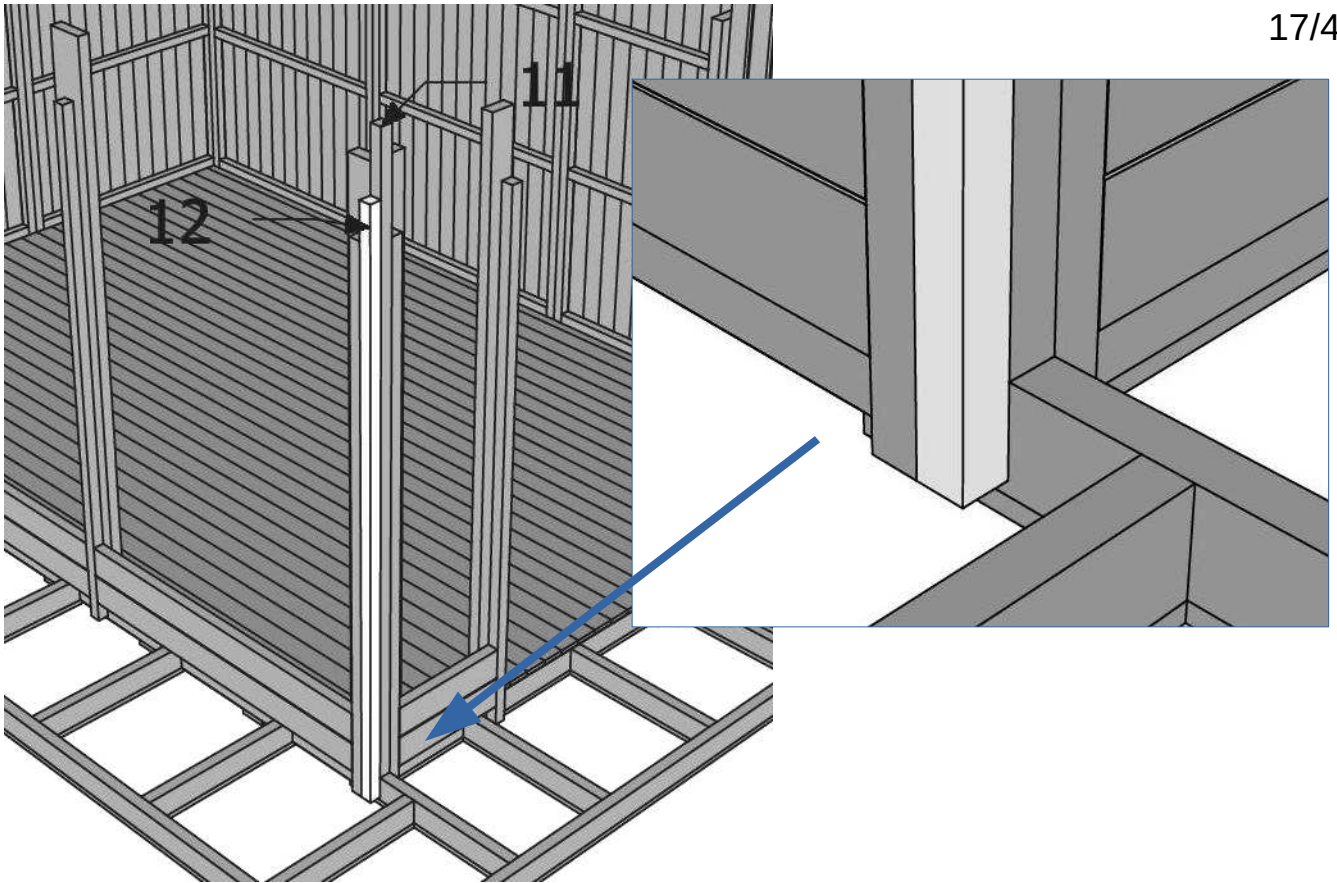


+	11	4	4,5 x 80
---	-----------	----------	-----------------

ELIN

Assembly instruction

17/43

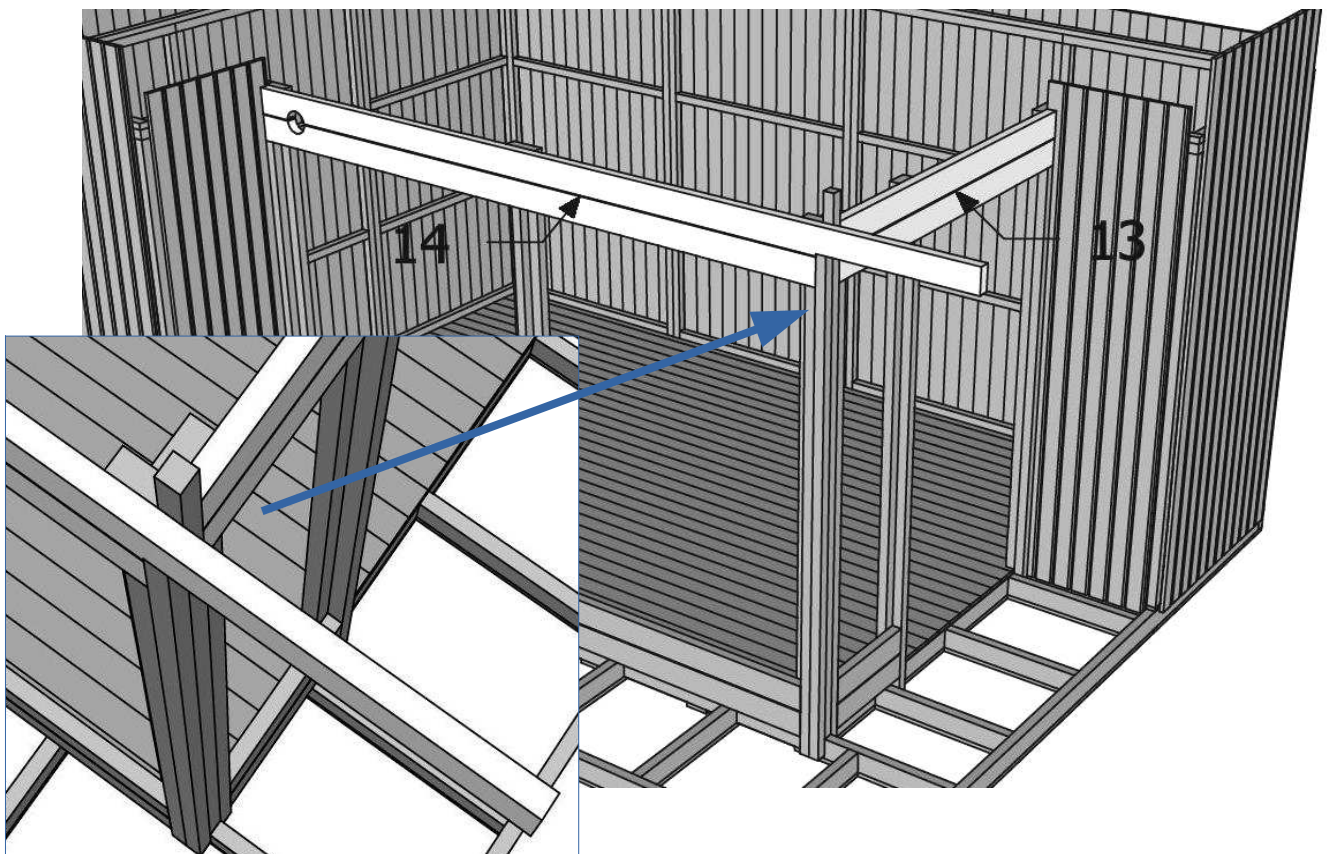


+

12

4

4,5 x 80



13

+

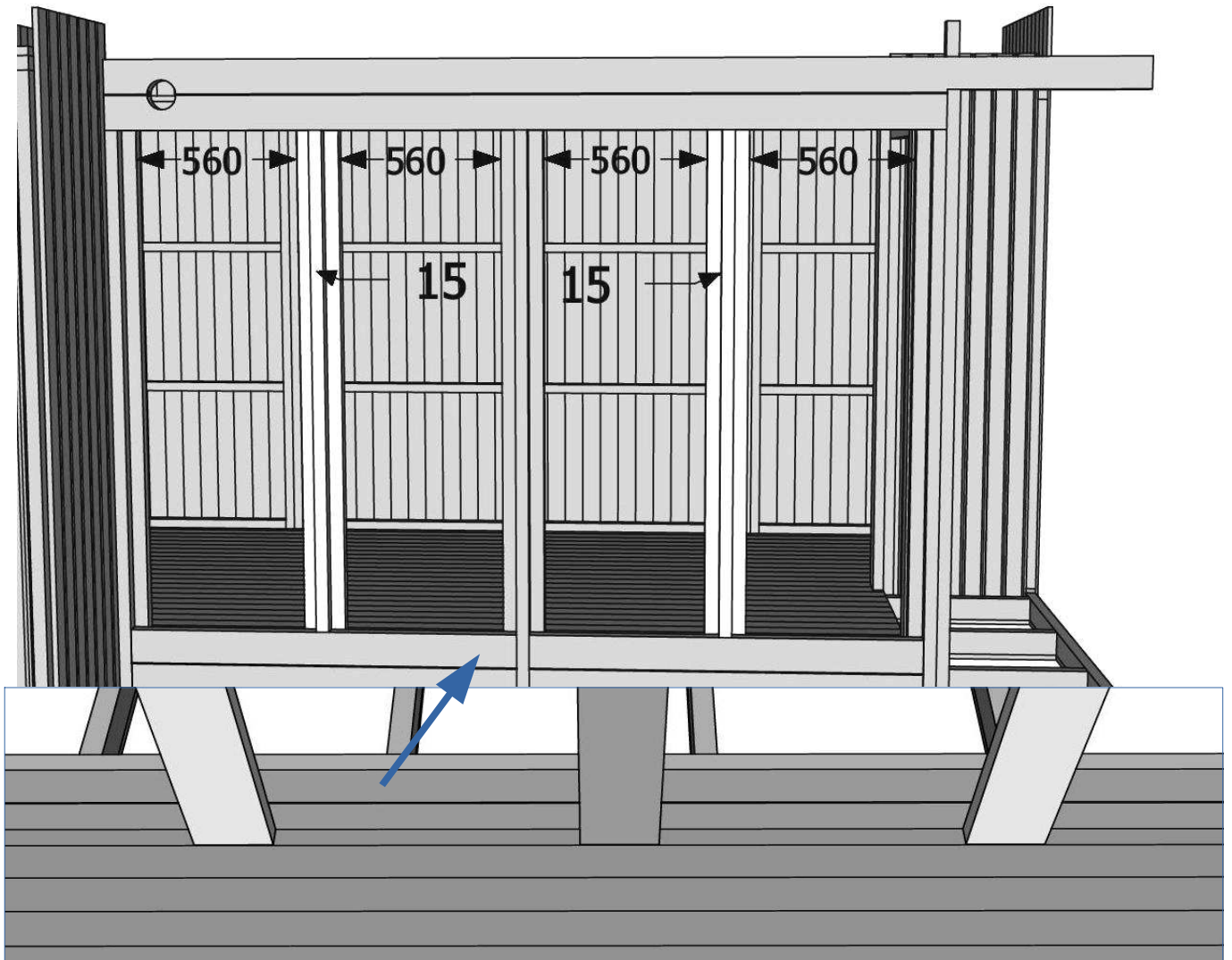
14

24

4,5 x 80

ELIN

Assembly instruction

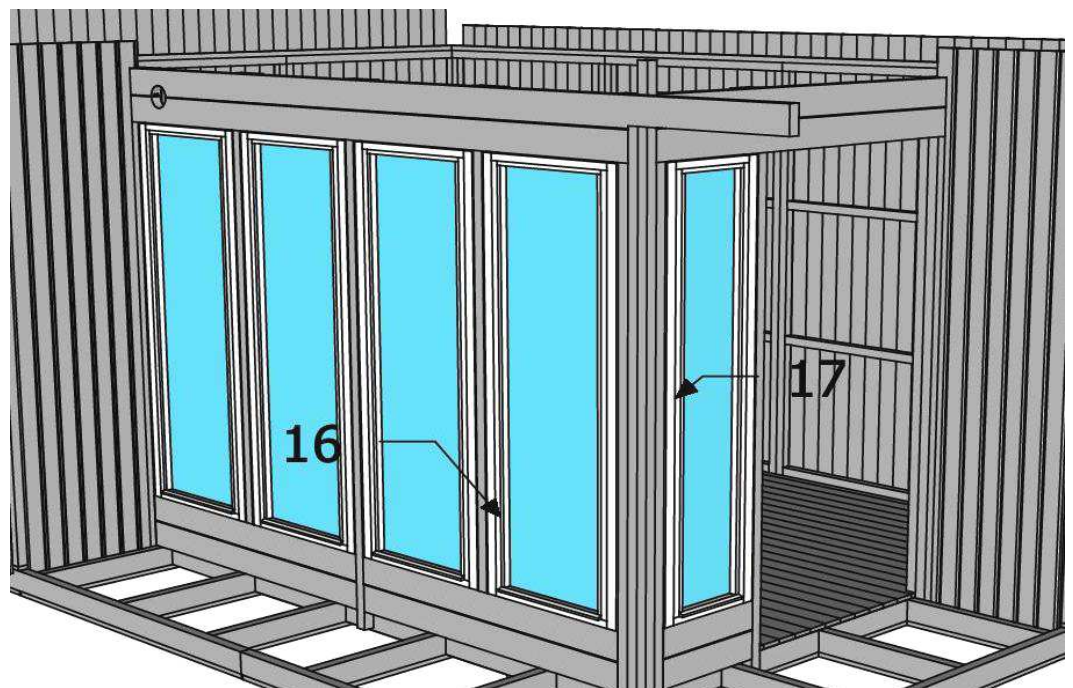


+

15

16

4,5 x 80



16

+

17

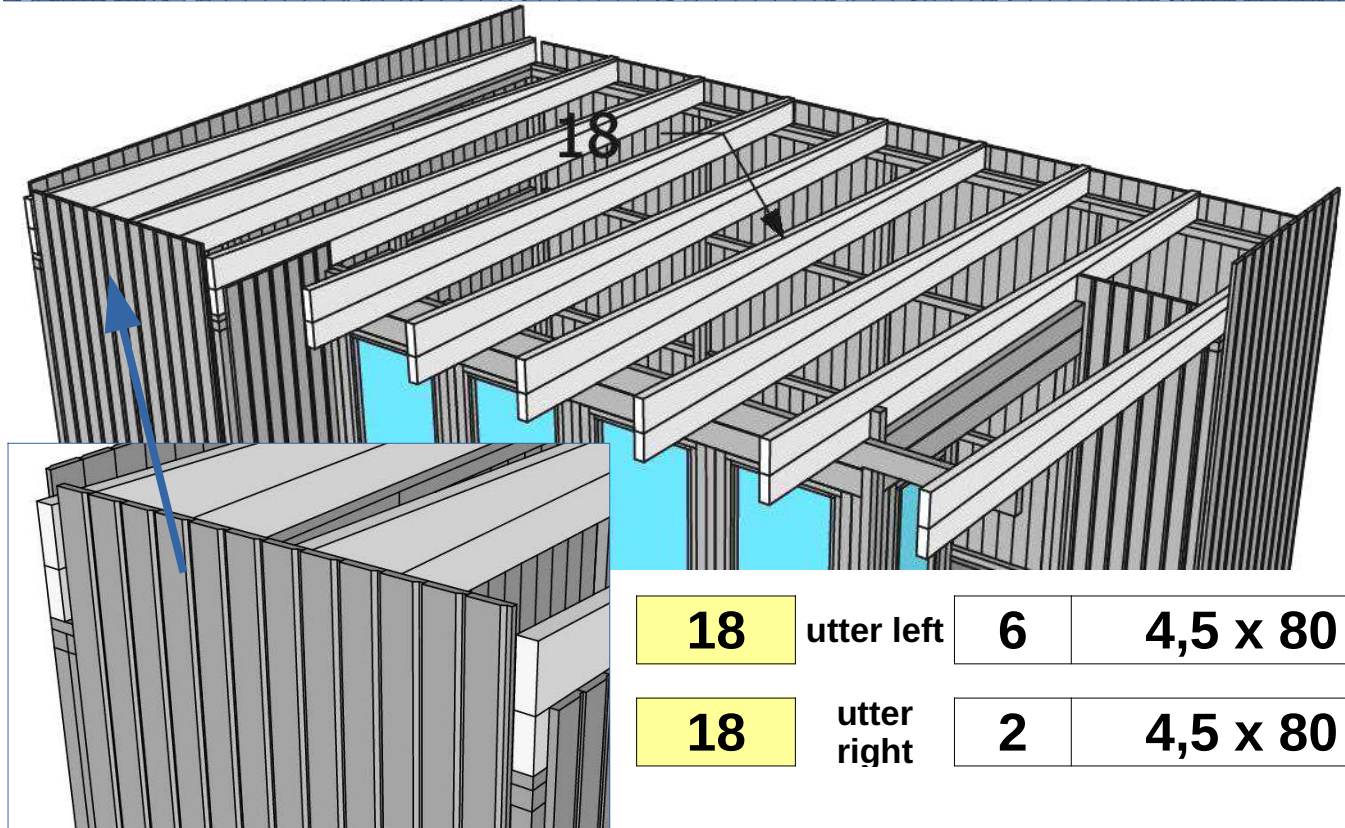
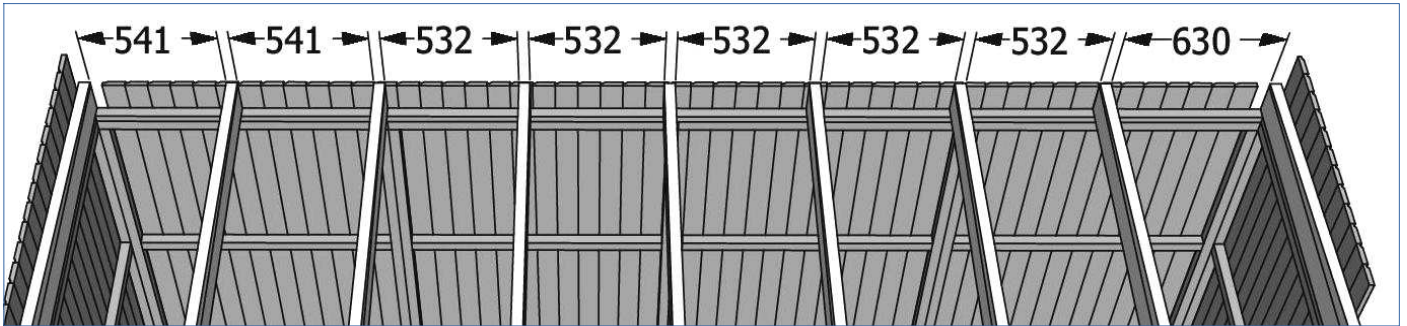
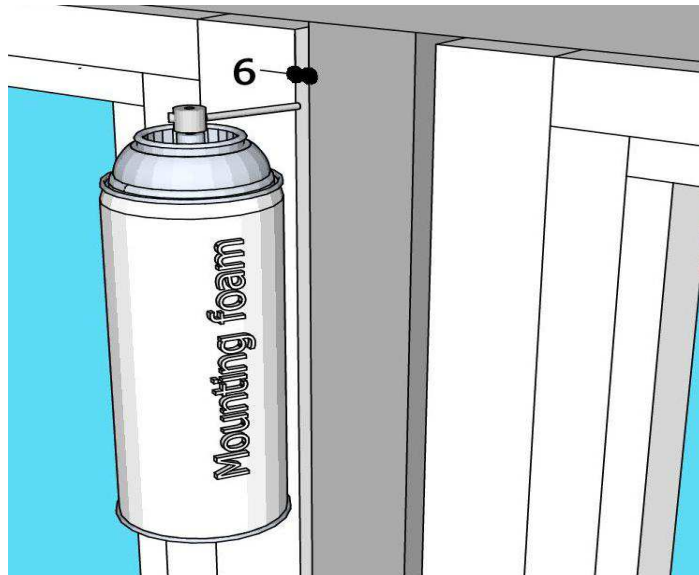
40

4,5 x 80

ELIN

Assembly instruction

19/43

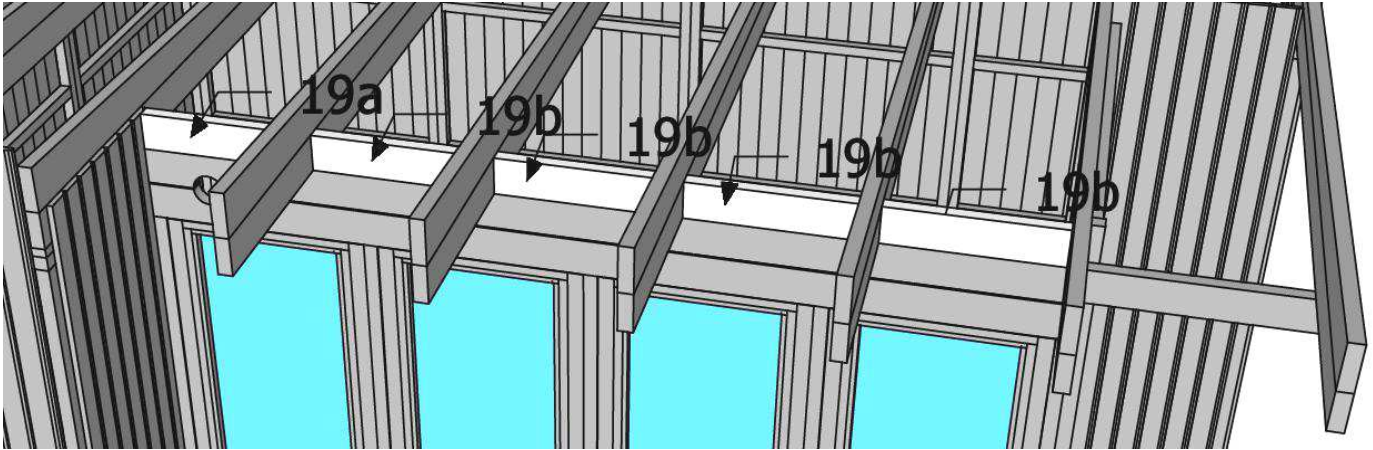


18	utter left	6	4,5 x 80
18	utter right	2	4,5 x 80
+	18	16	80 x 80 x 40
		96	3,5 x 40

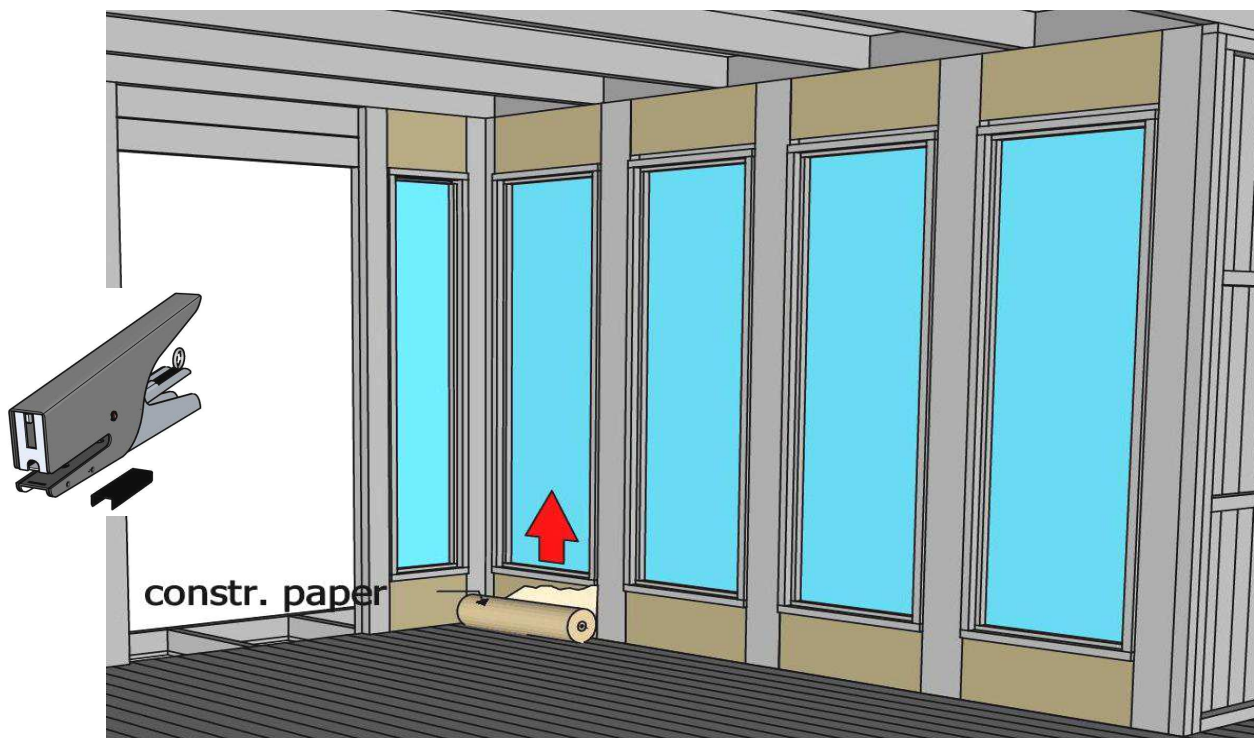
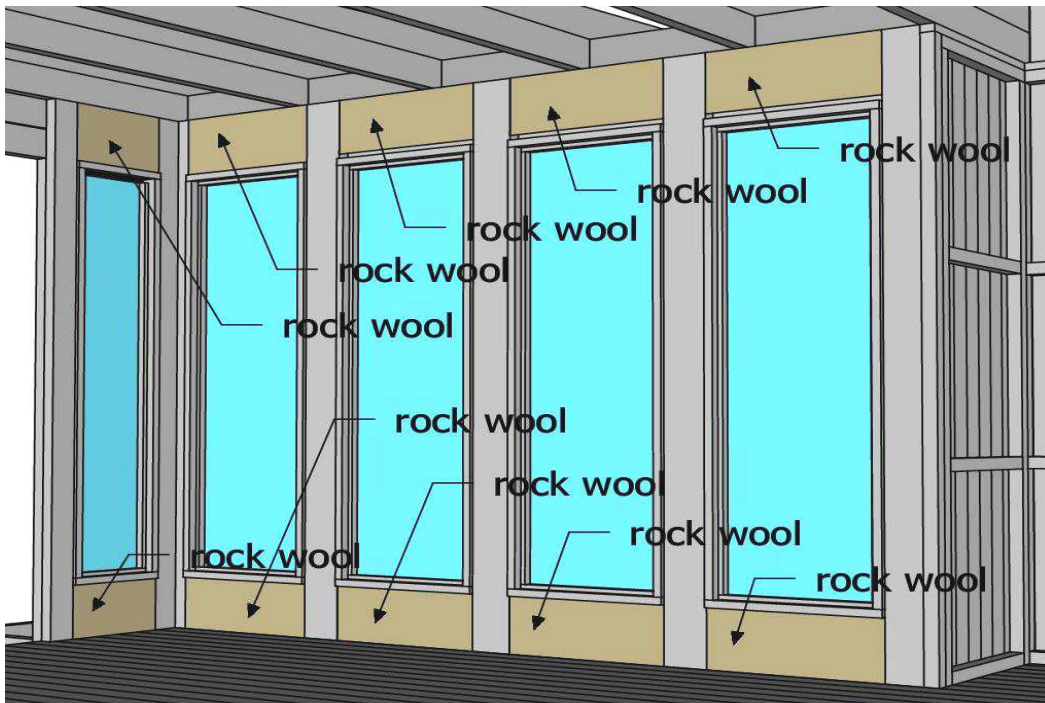
ELIN

Assembly instruction

20/43



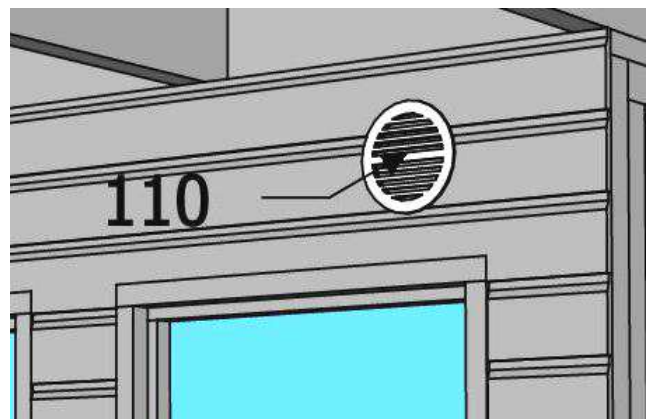
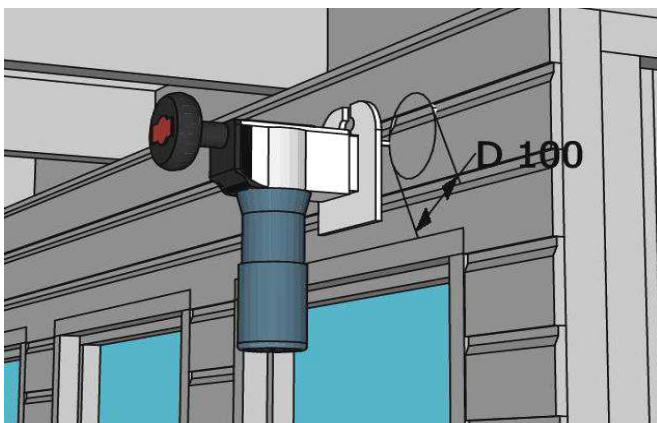
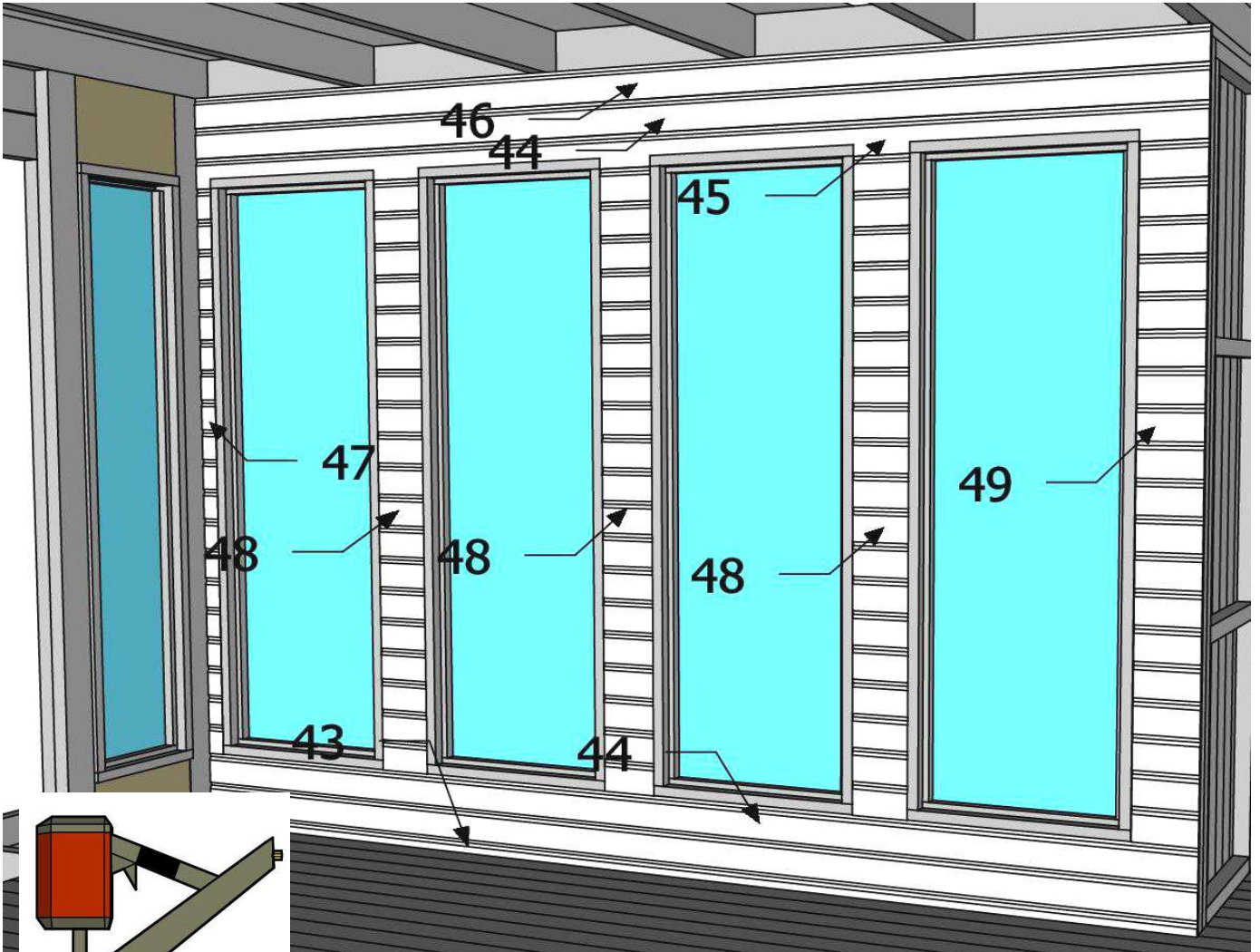
19a	+	19b	20	4,5 x 80
------------	---	------------	-----------	-----------------



ELIN

Assembly instruction

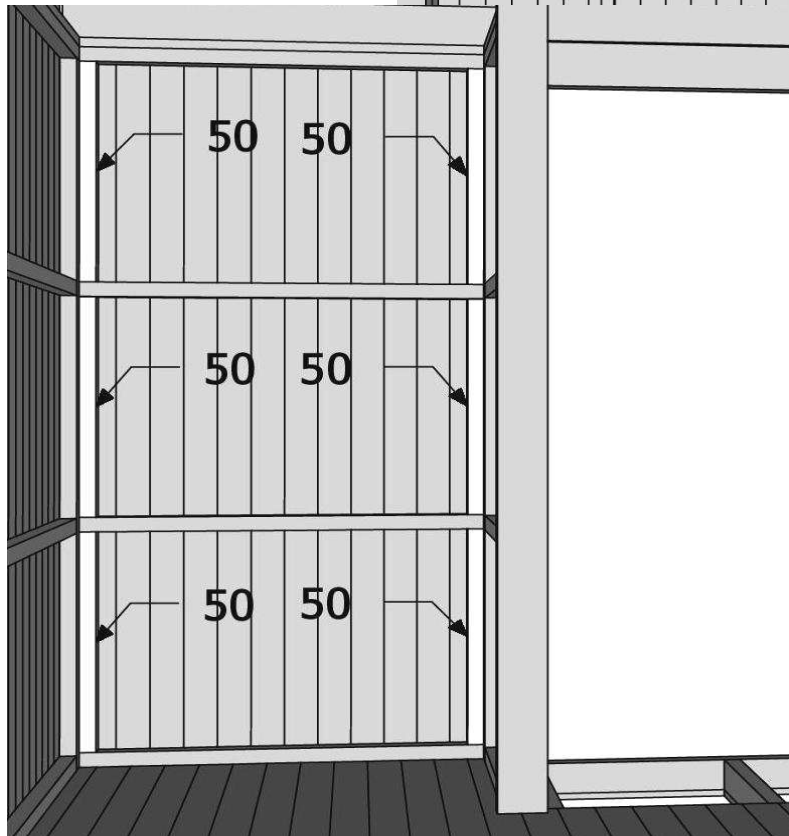
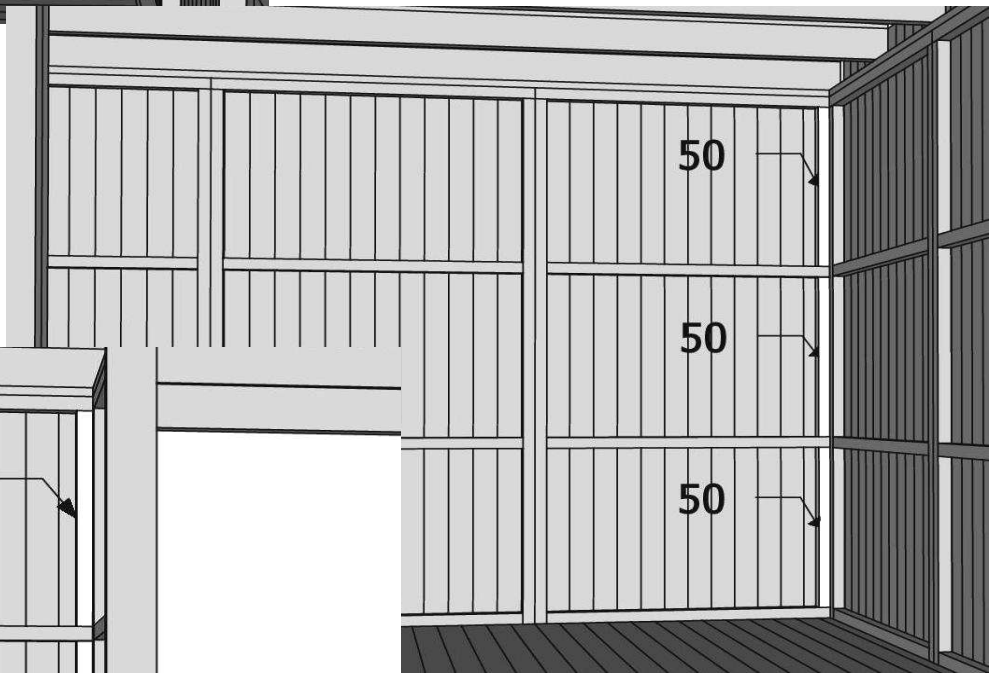
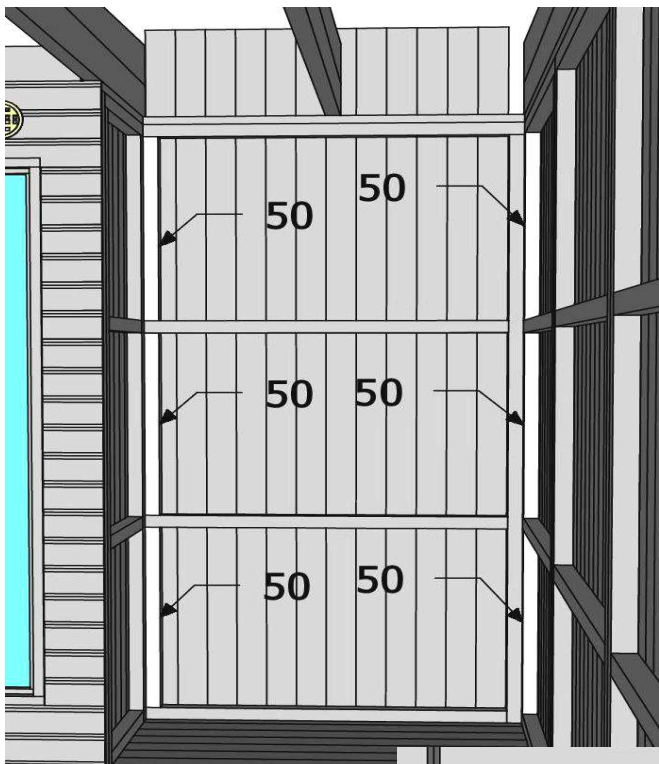
21/43



ELIN

Assembly instruction

22/43



+

50

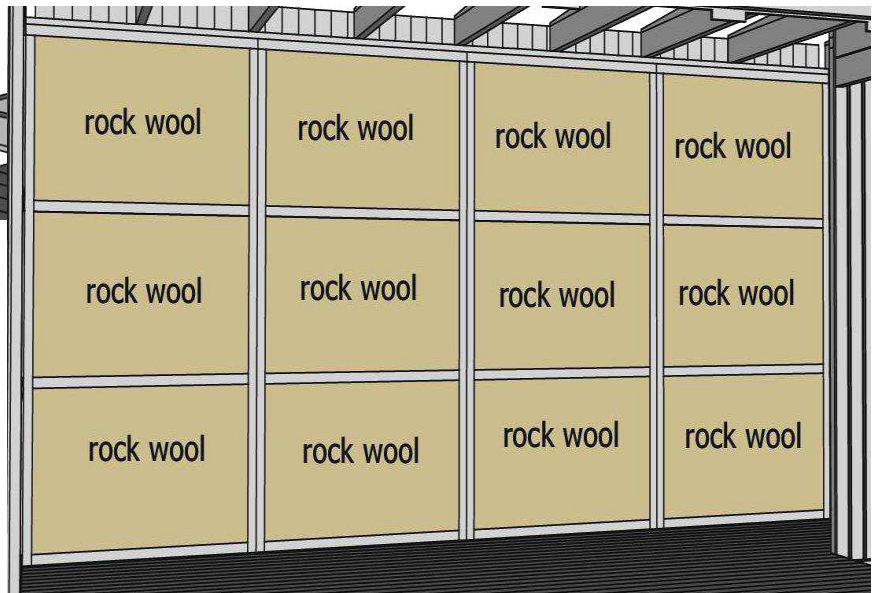
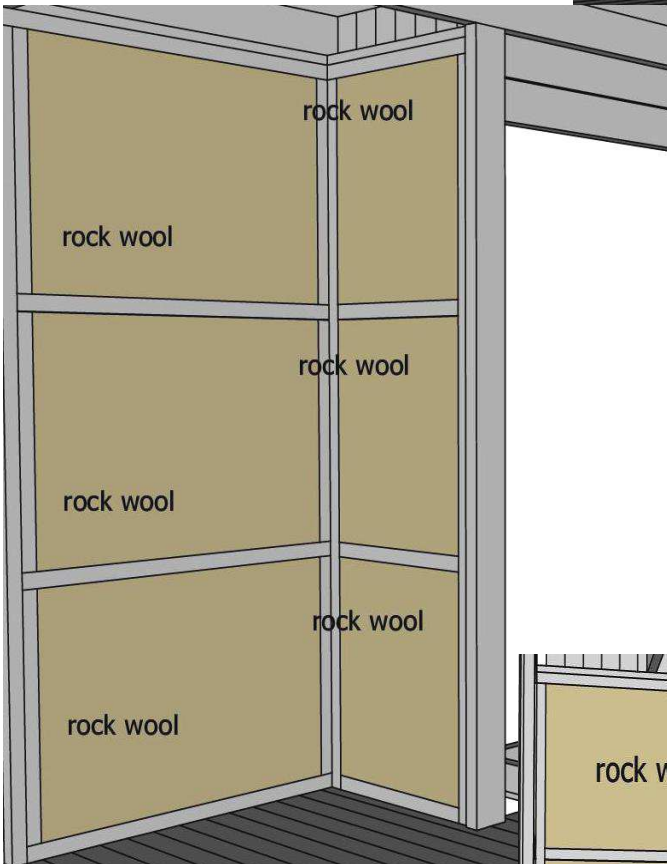
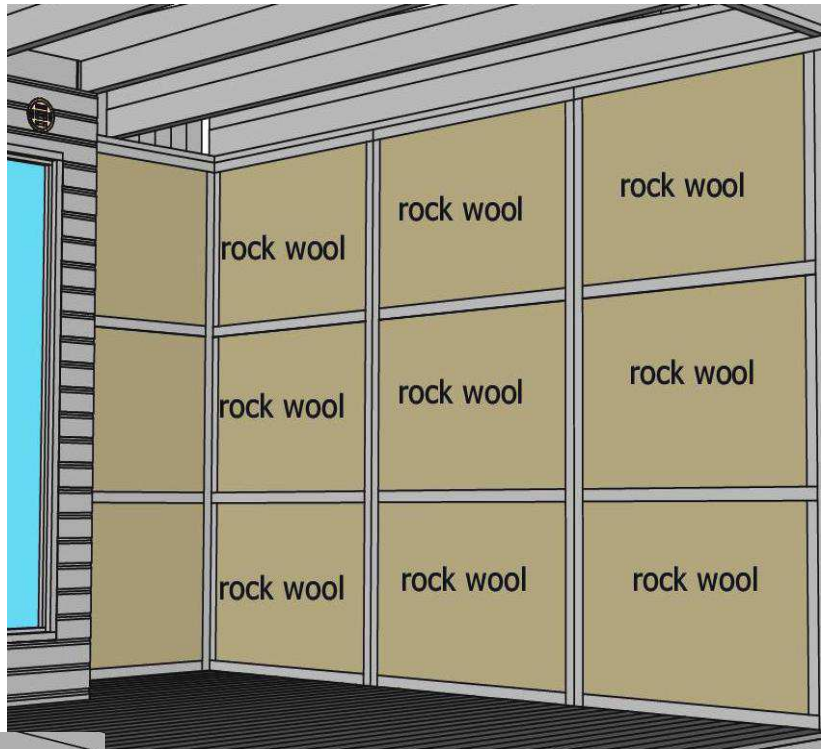
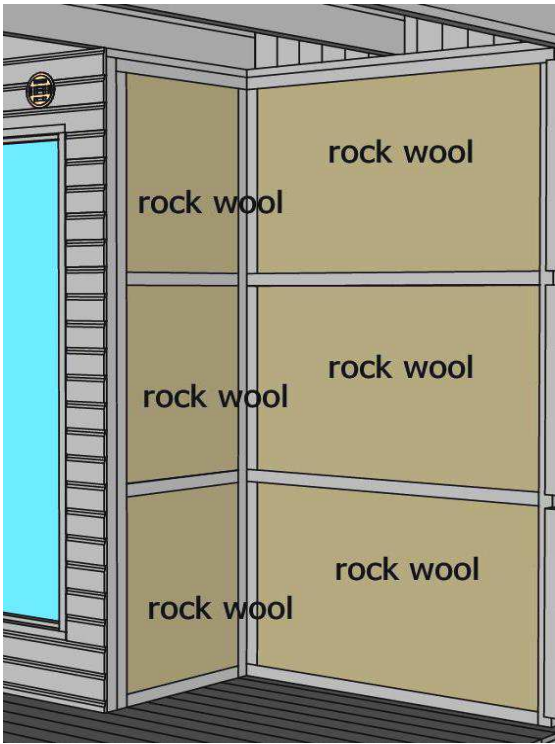
30

4,5 x 80

ELIN

Assembly instruction

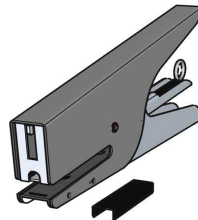
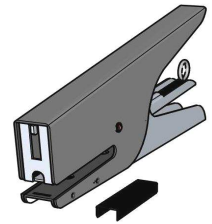
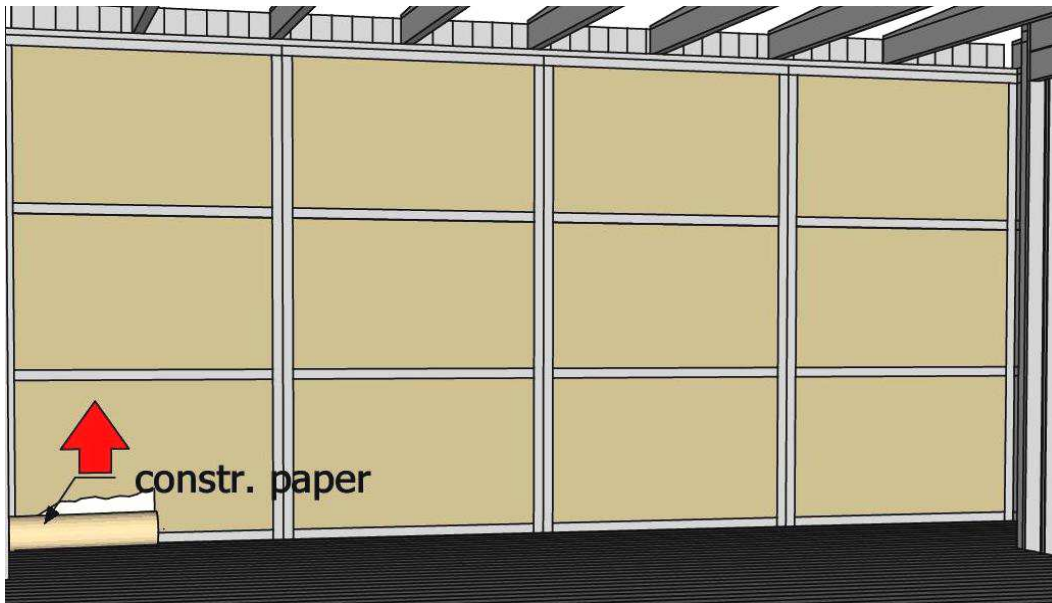
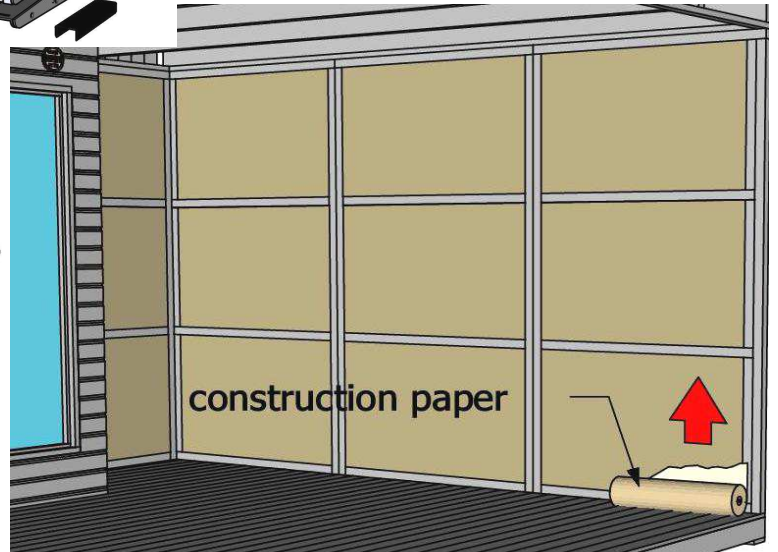
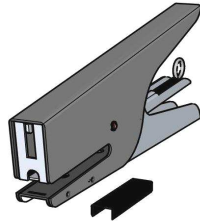
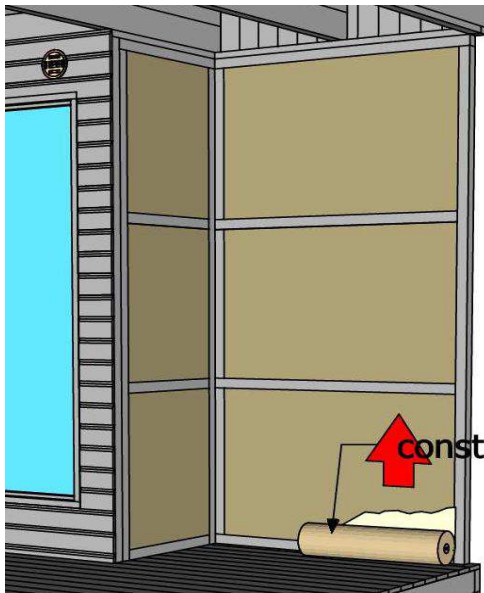
23/43



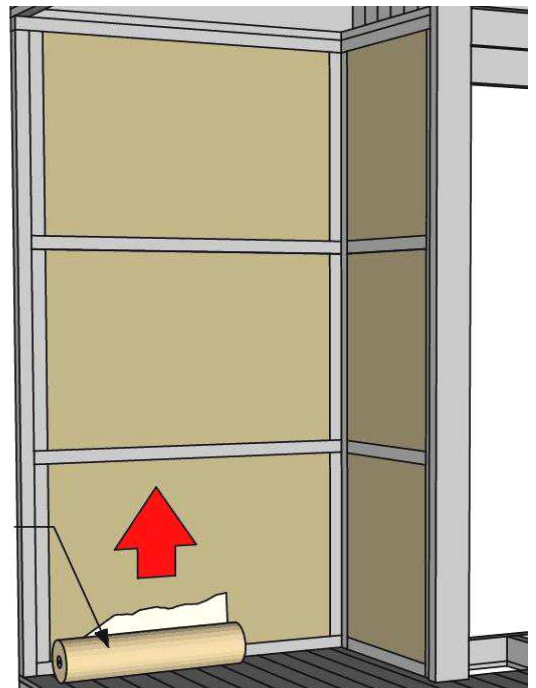
ELIN

Assembly instruction

24/43



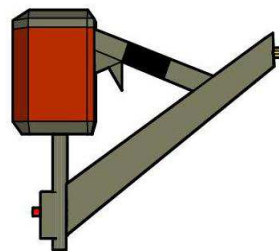
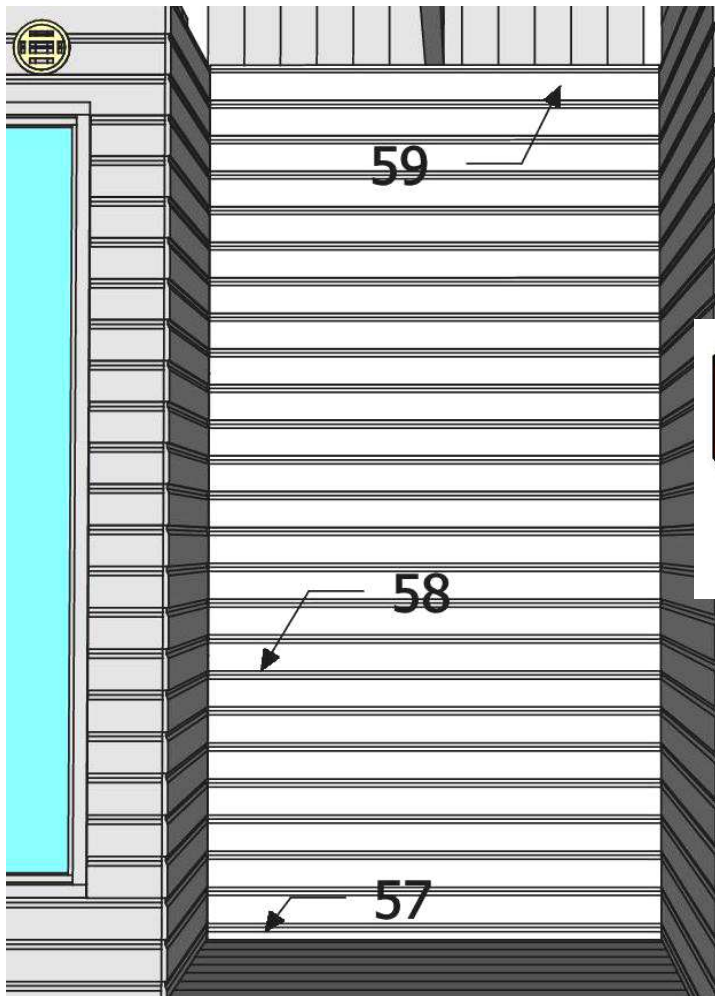
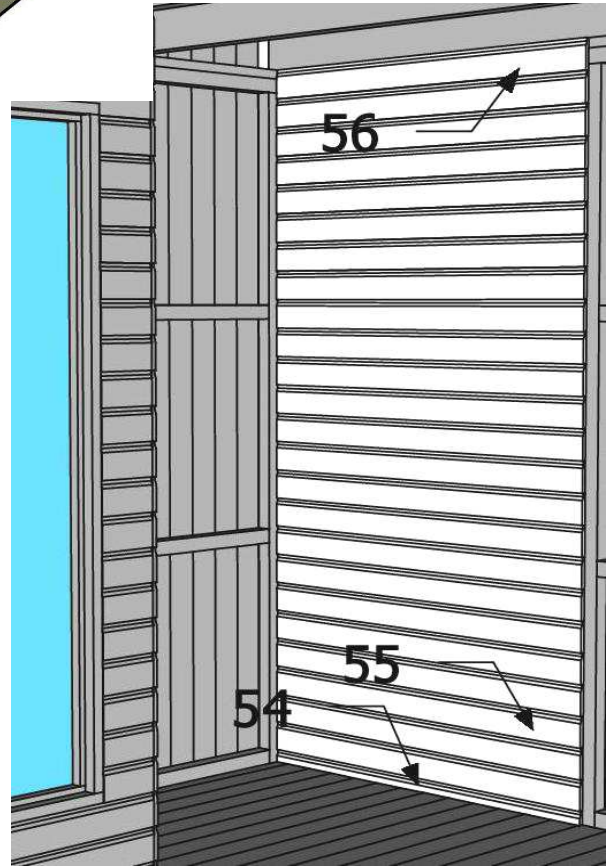
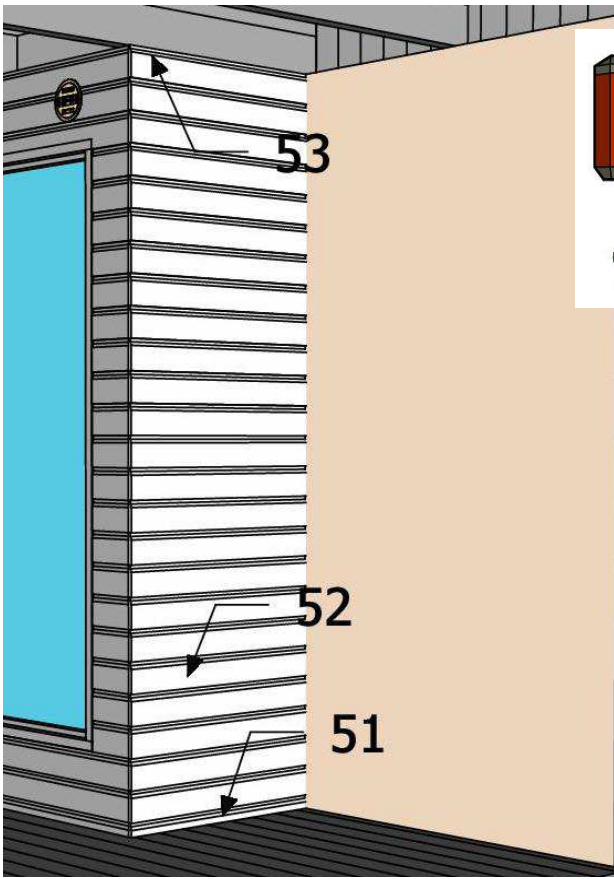
constr. paper



ELIN

Assembly instruction

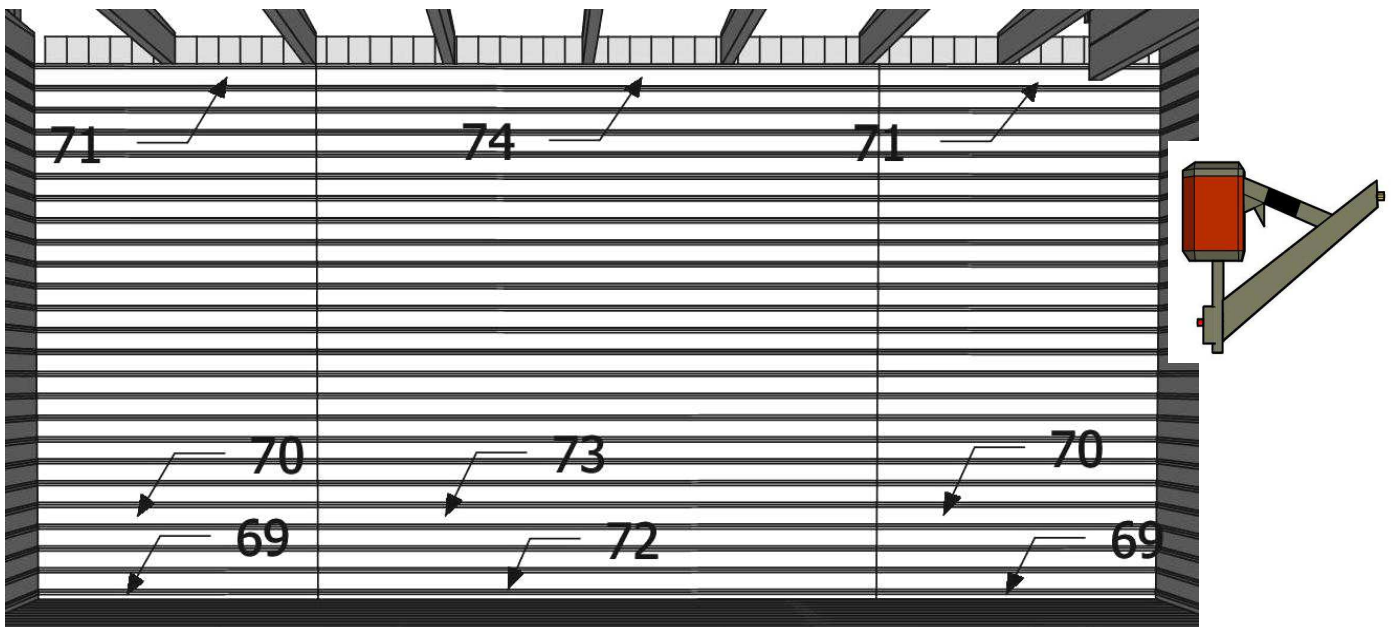
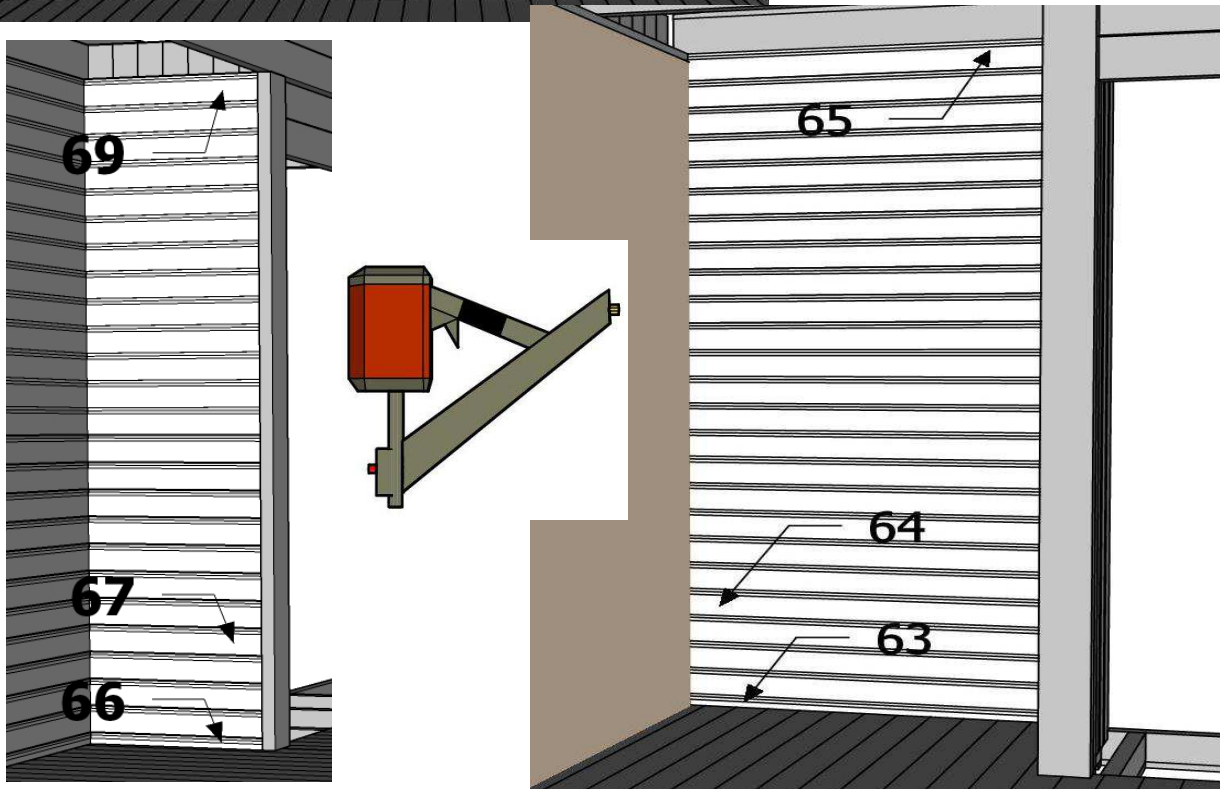
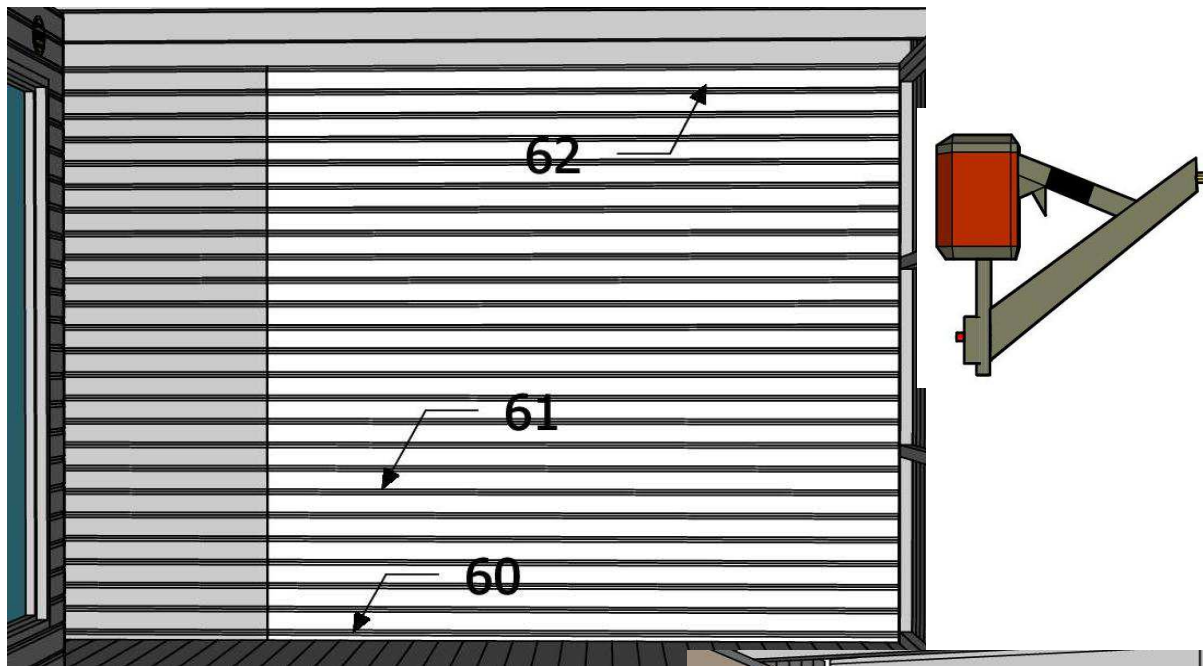
25/43



ELIN

Assembly instruction

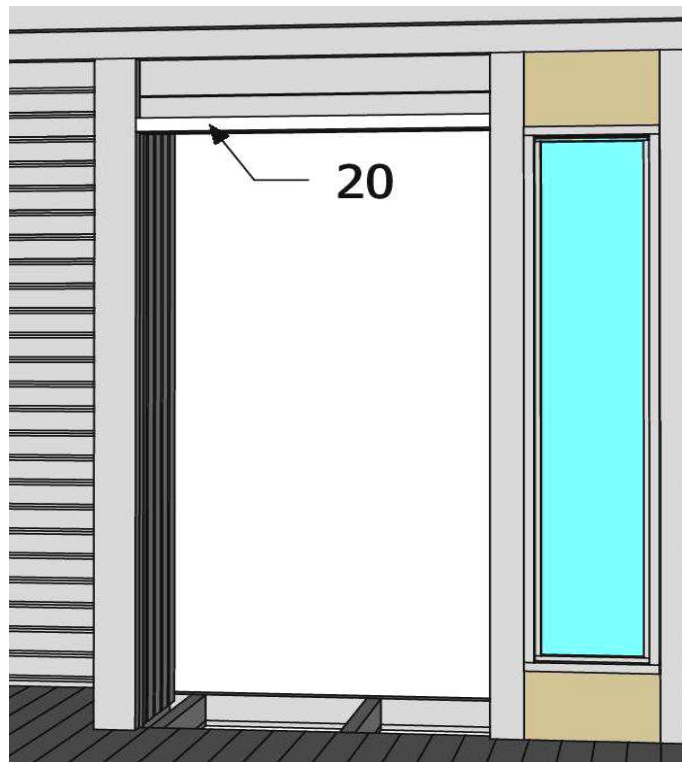
26/43



ELIN

Assembly instruction

27/43

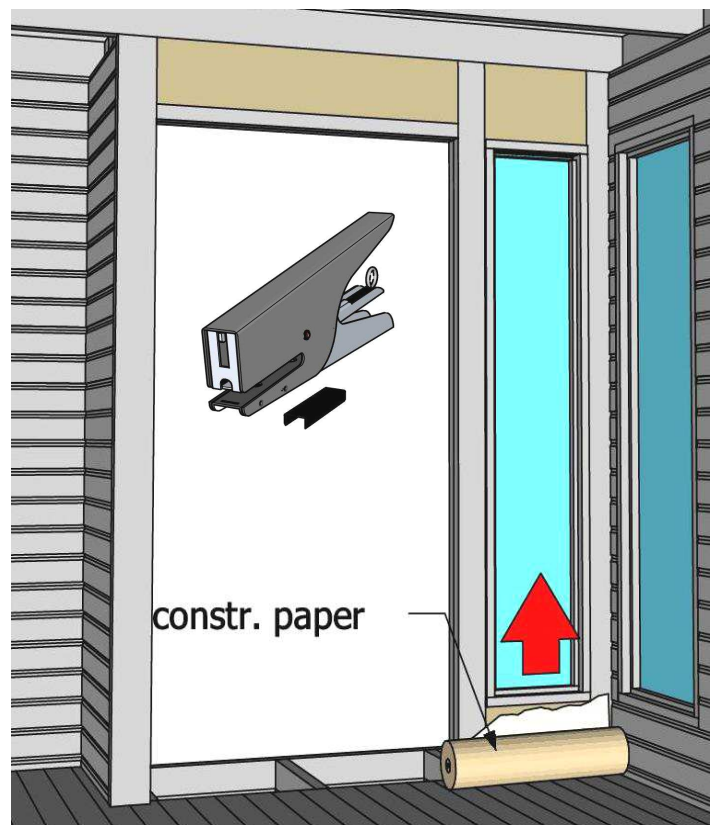
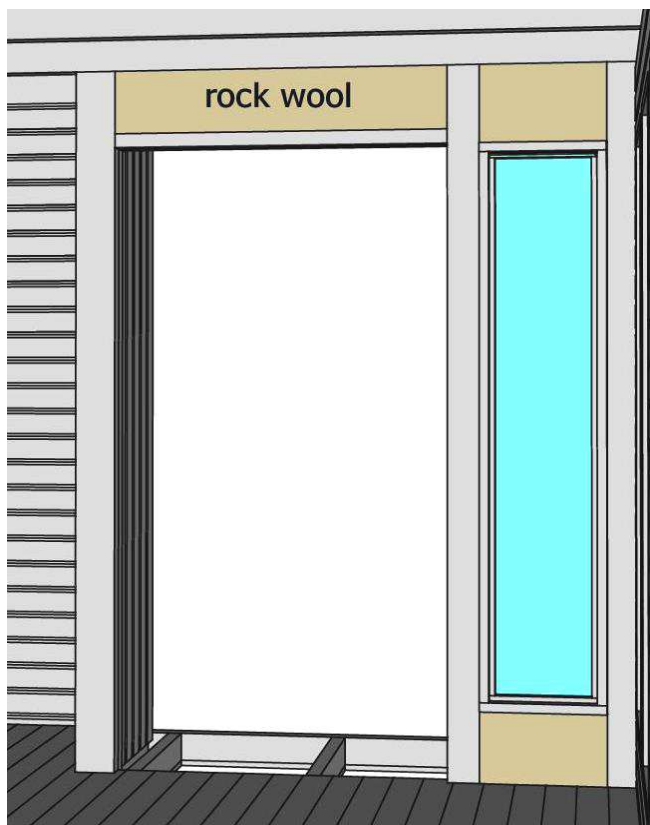


+

20

3

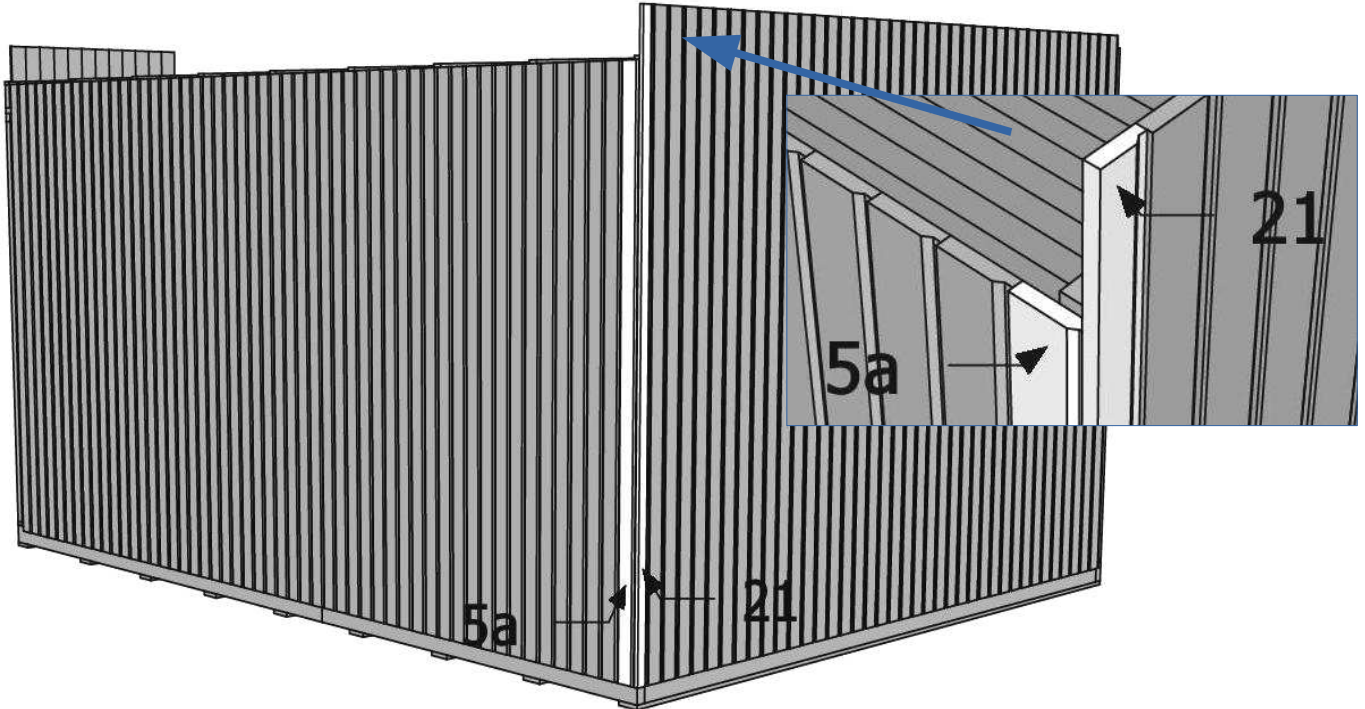
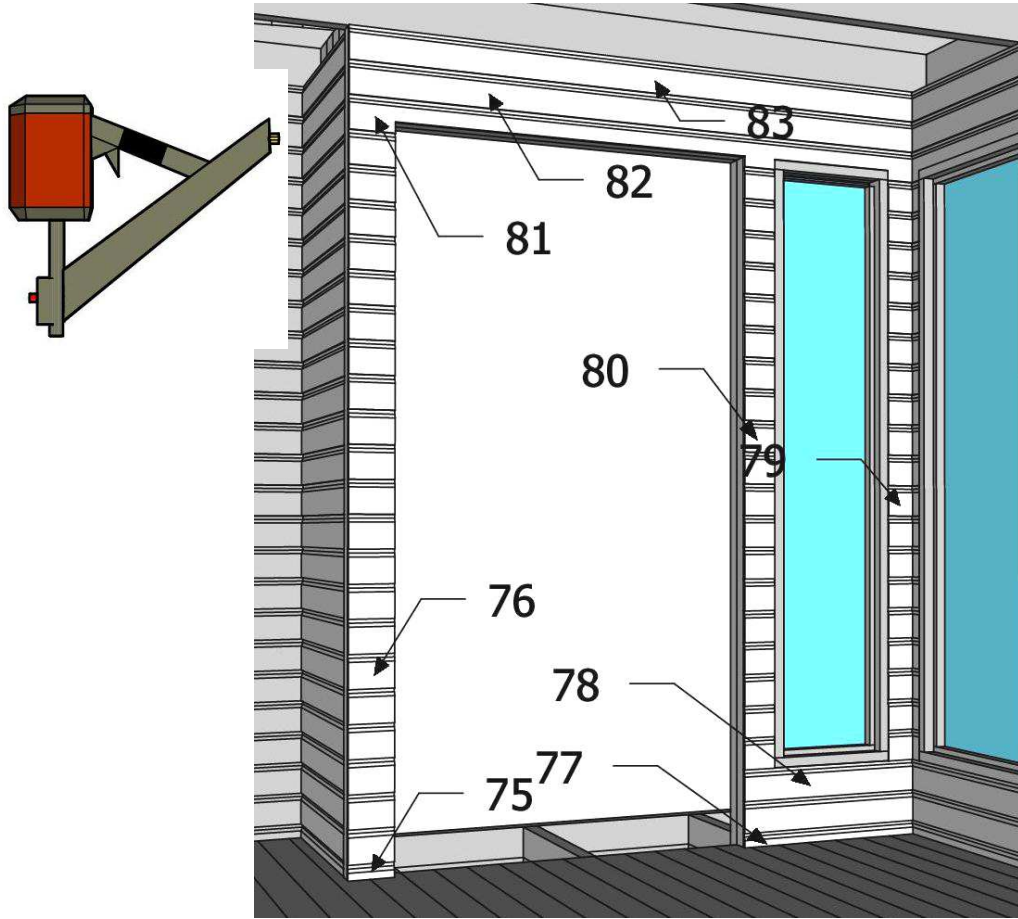
4,5 x 80



ELIN

Assembly instruction

28/43

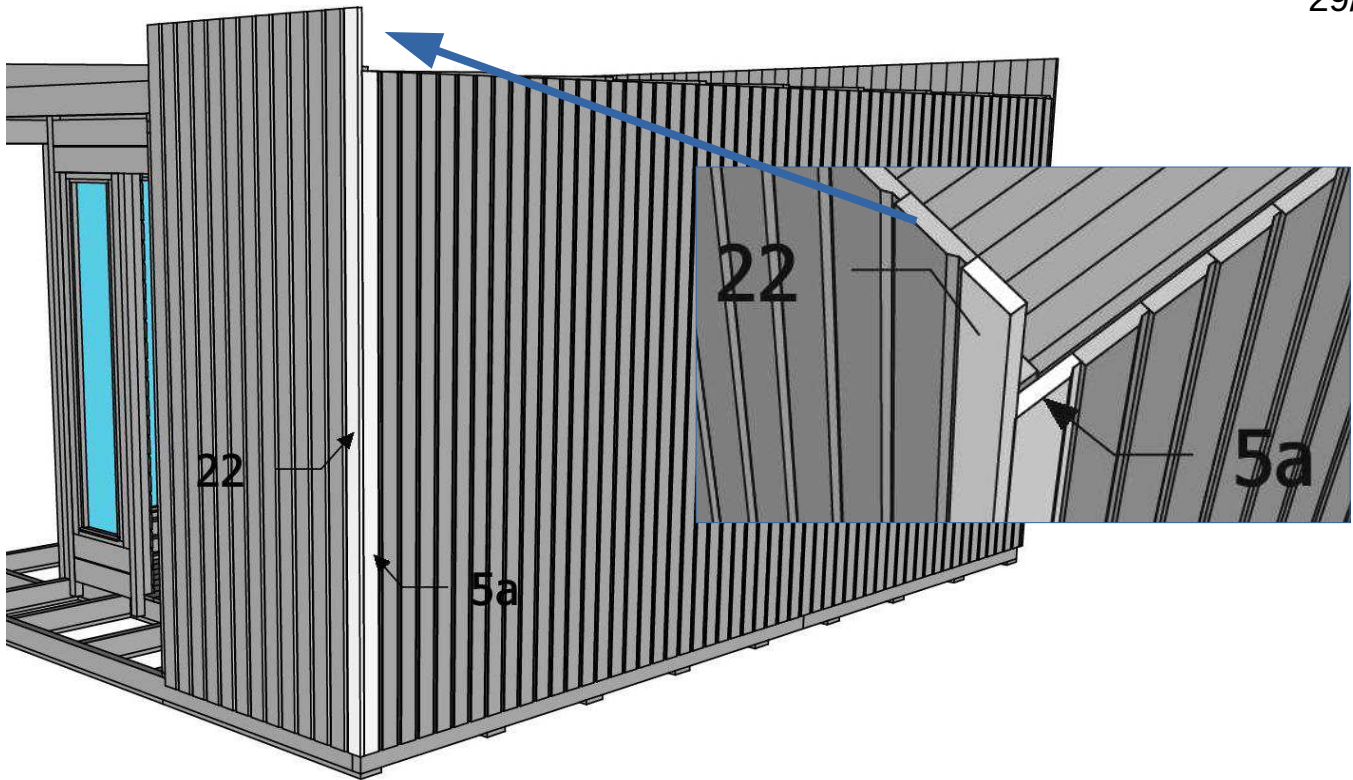


5a	+	21	8	3,5 x 40
----	---	----	---	----------

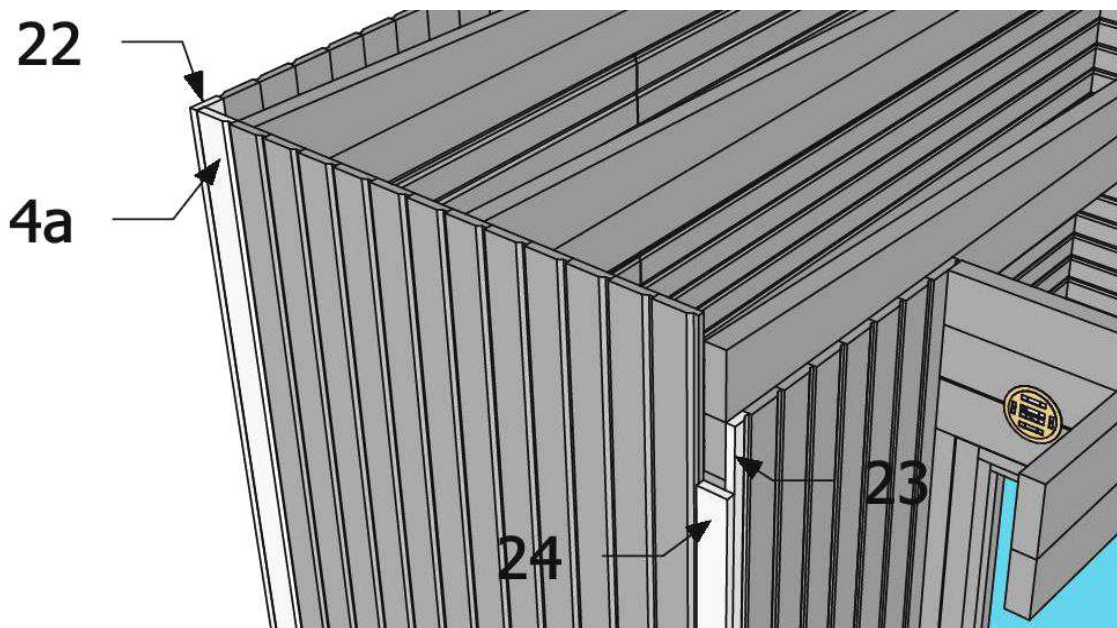
ELIN

Assembly instruction

29/43



5a	+	22	8	3,5 x 40
-----------	---	-----------	----------	-----------------

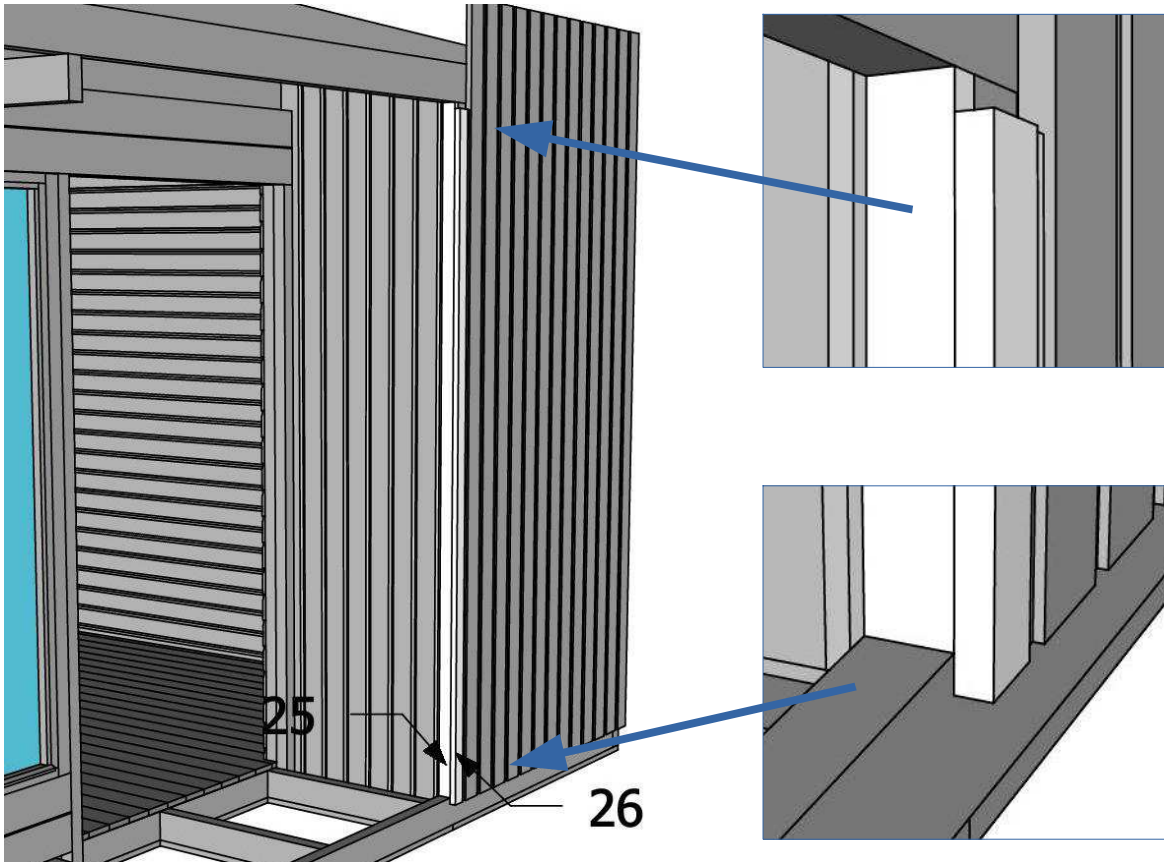


4a	+	22	+	23	16	3,5 x 40
			+	24		

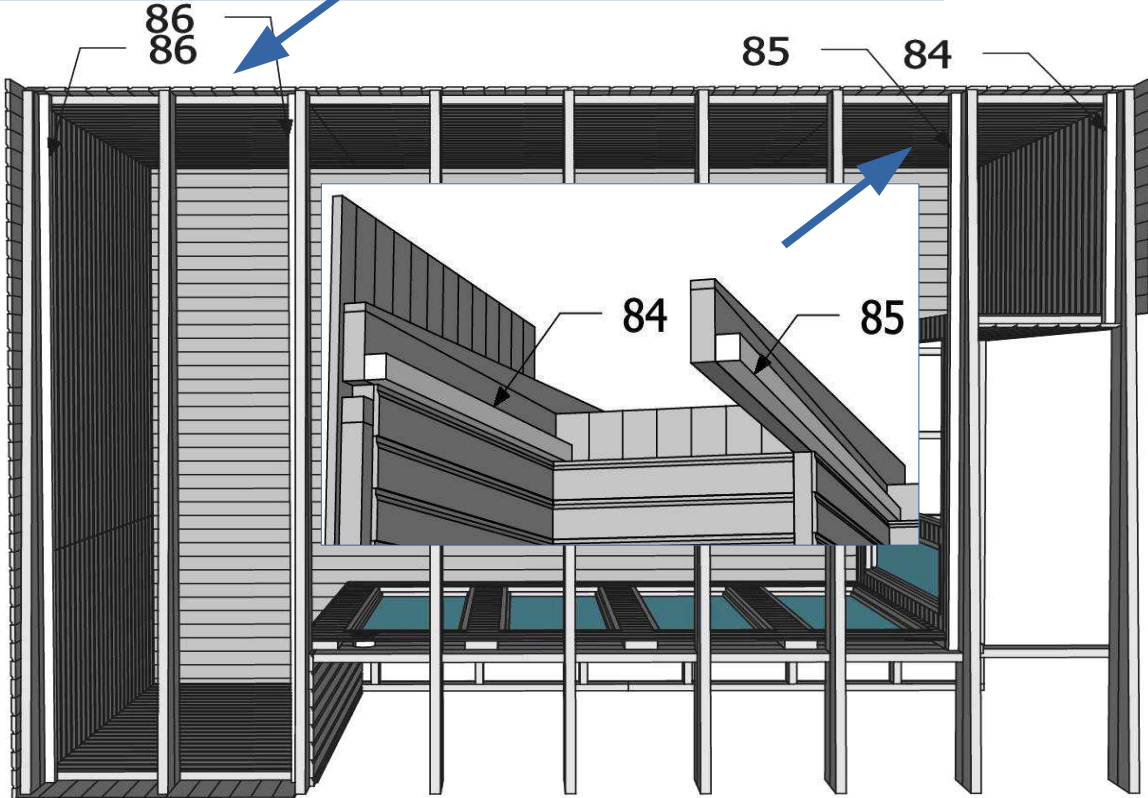
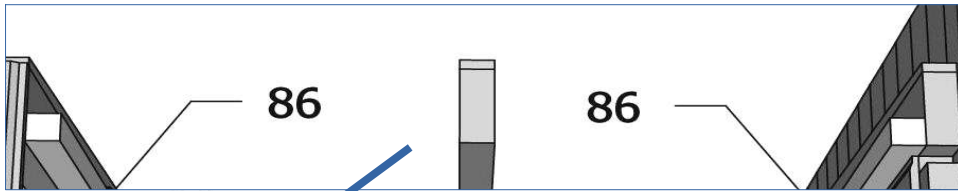
ELIN

Assembly instruction

30/43



25 + **26** **8** **3,5 x 40**

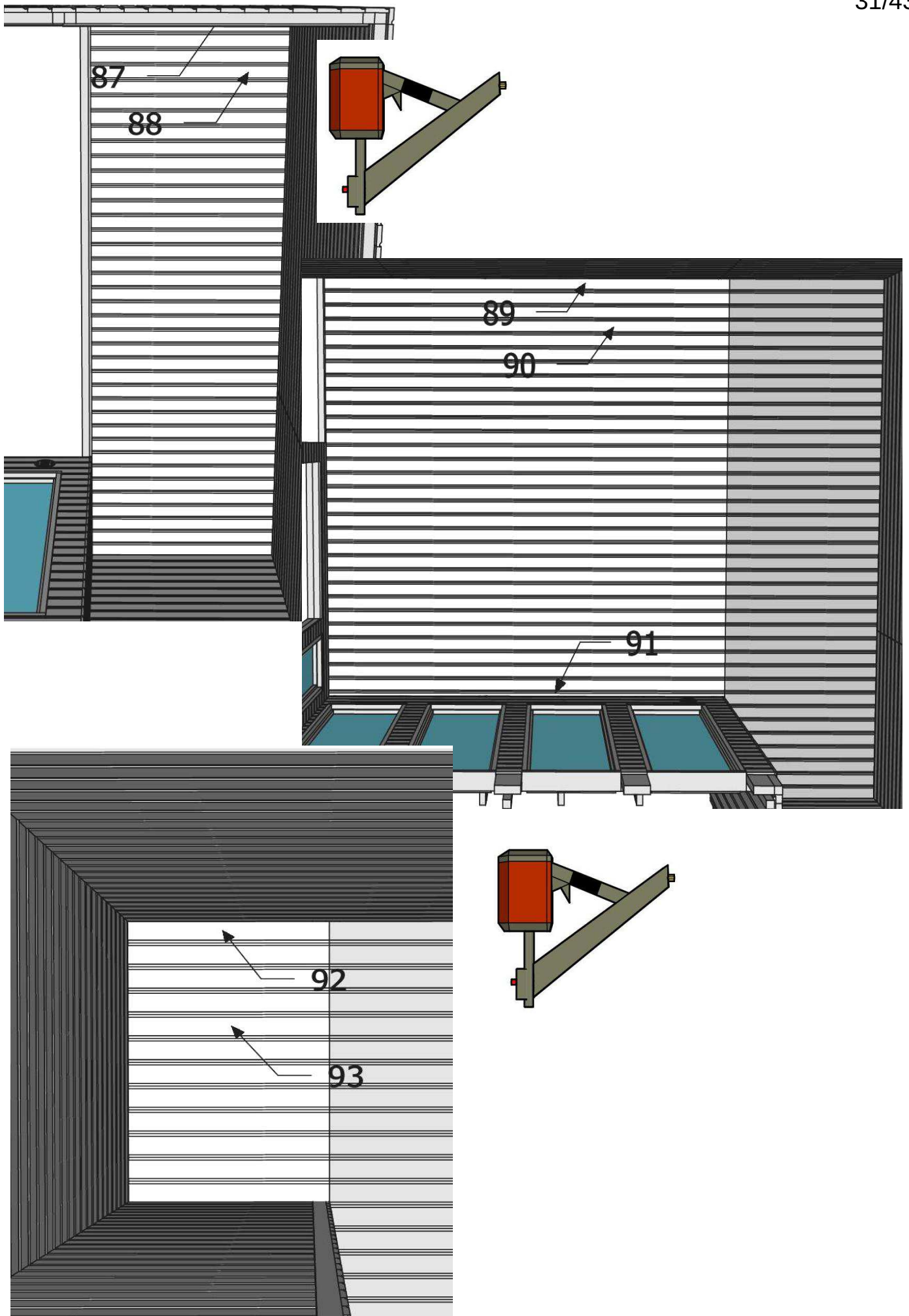


84 + **85** + **86** **20** **4,5 x 80**

ELIN

Assembly instruction

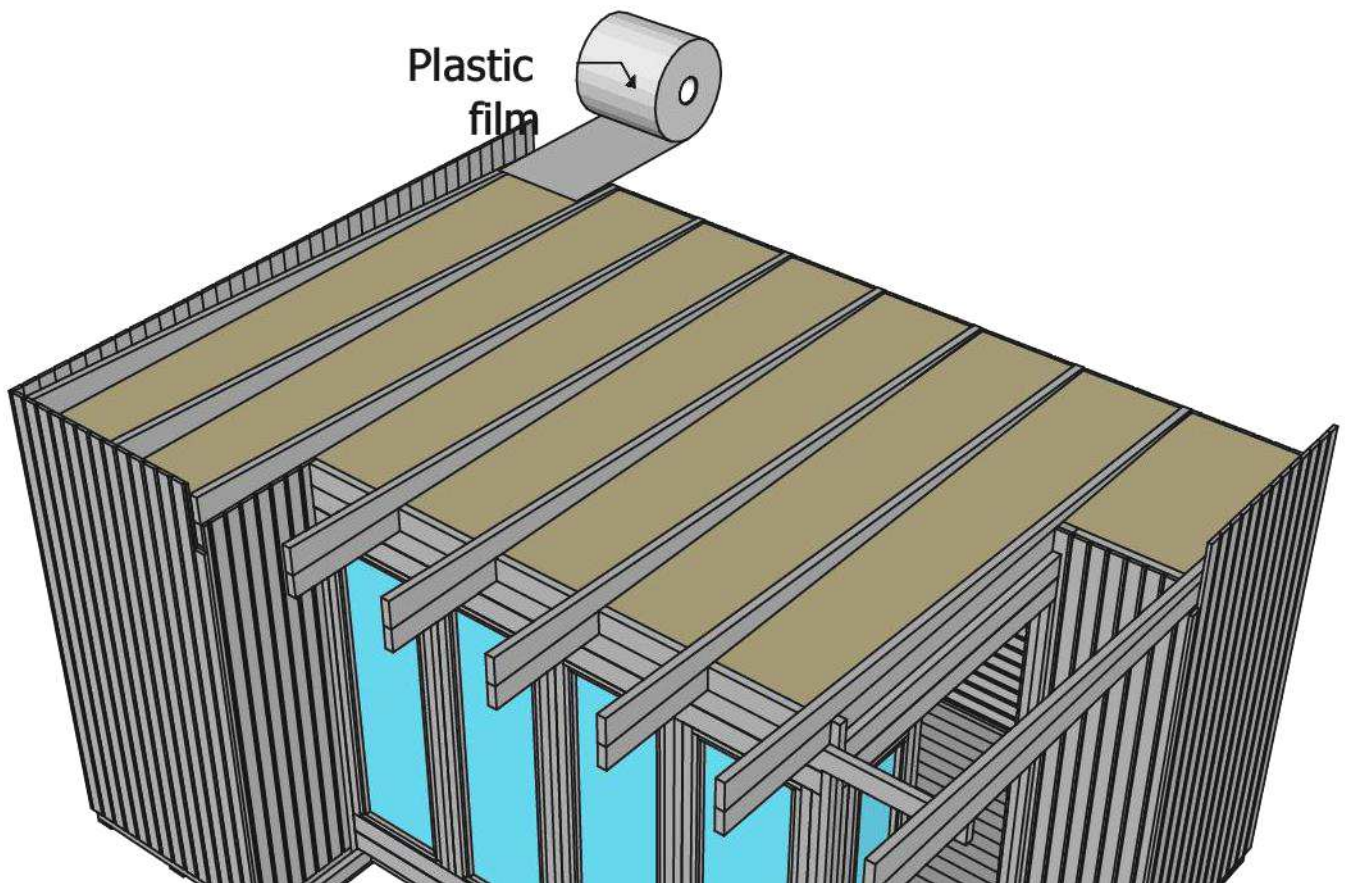
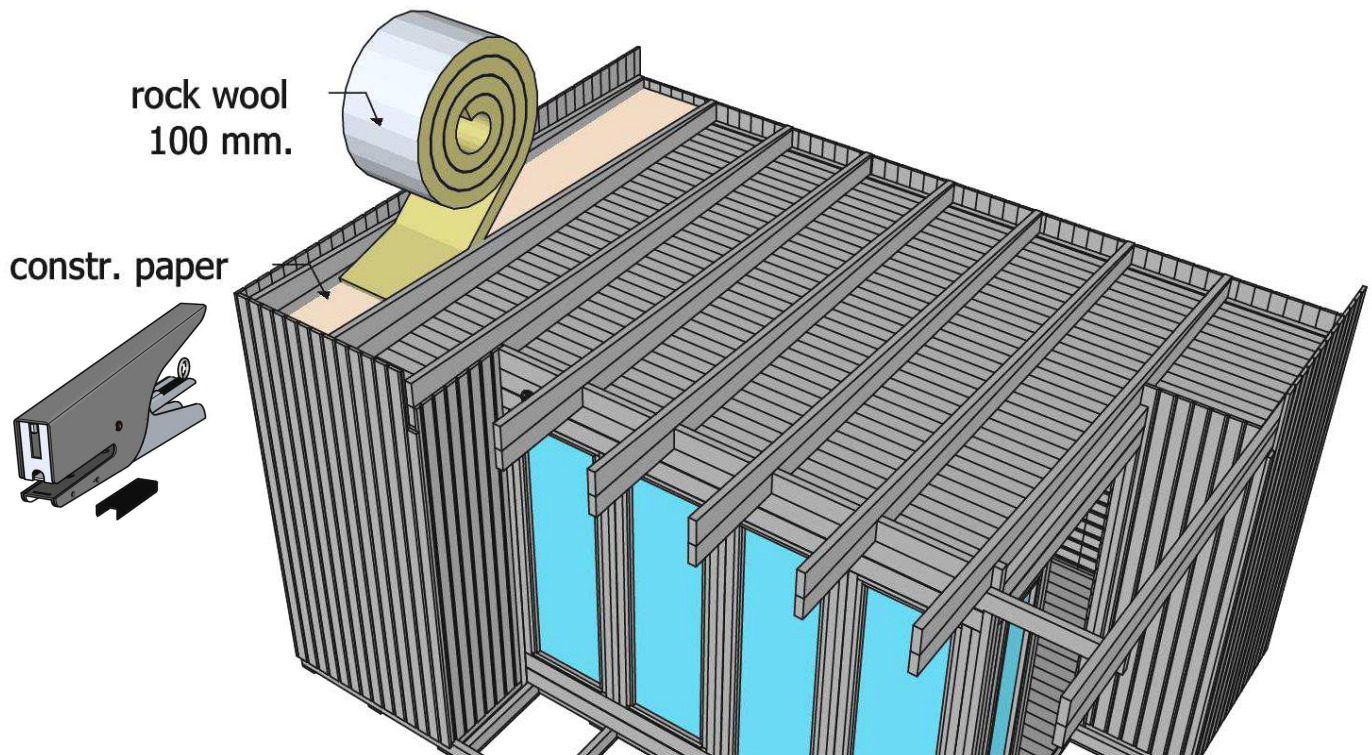
31/43



ELIN

Assembly instruction

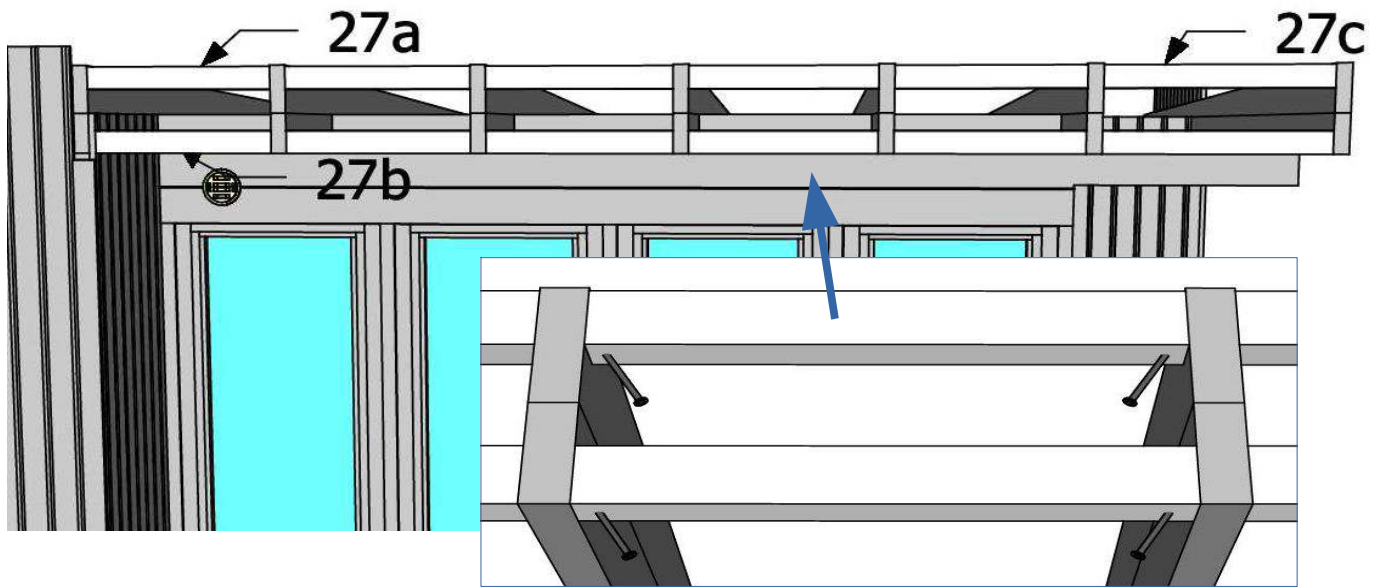
32/43



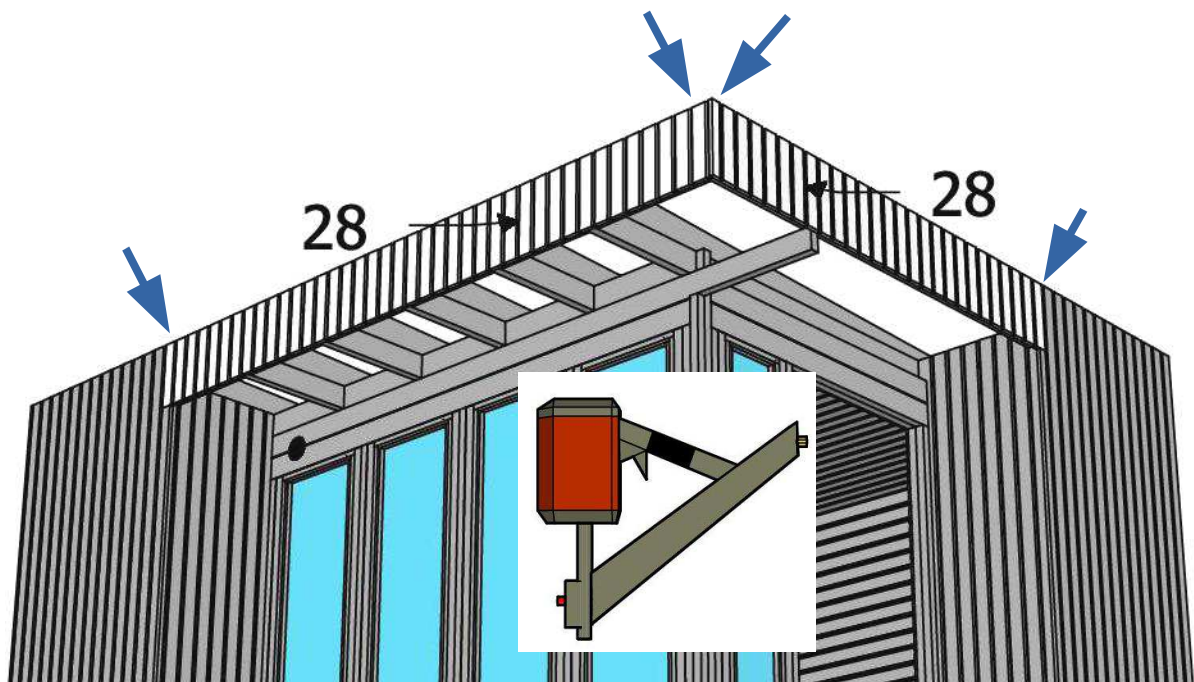
ELIN

Assembly instruction

33/43



27a	+	27b	+	27c	24	4,5 x 80
-----	---	-----	---	-----	----	----------

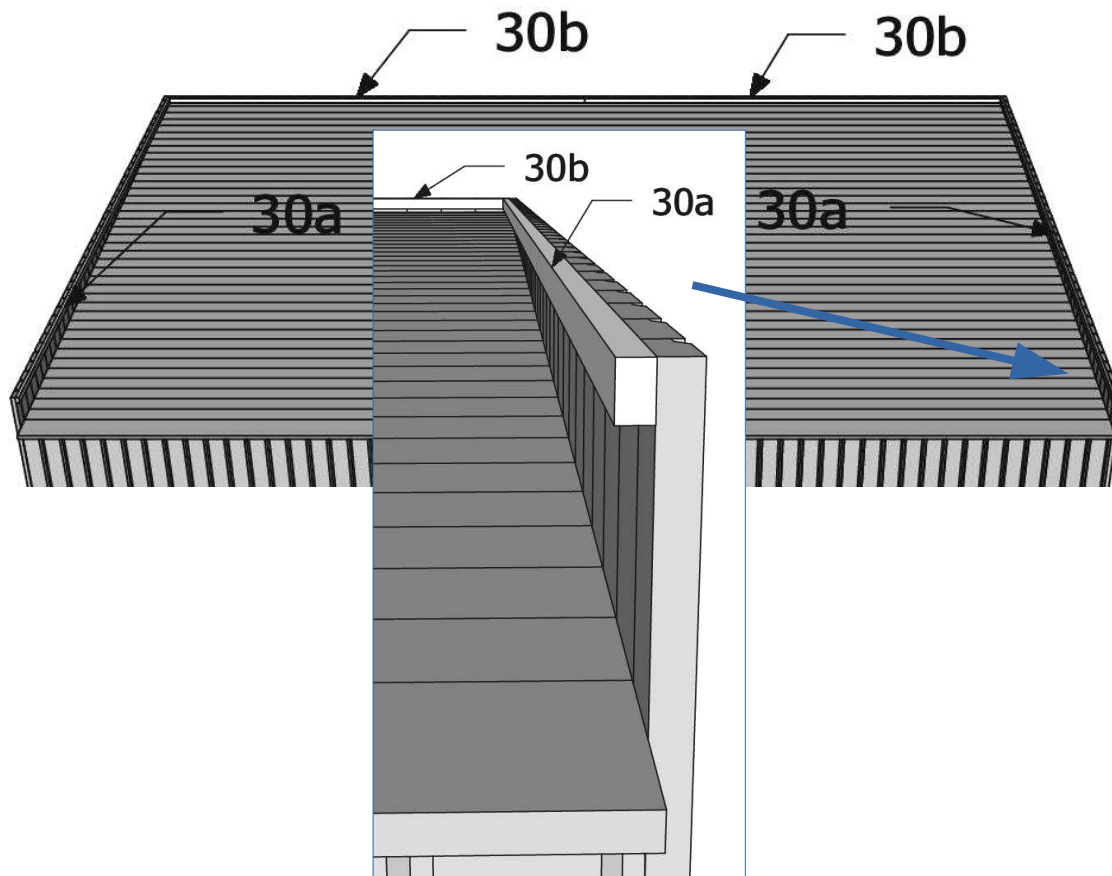
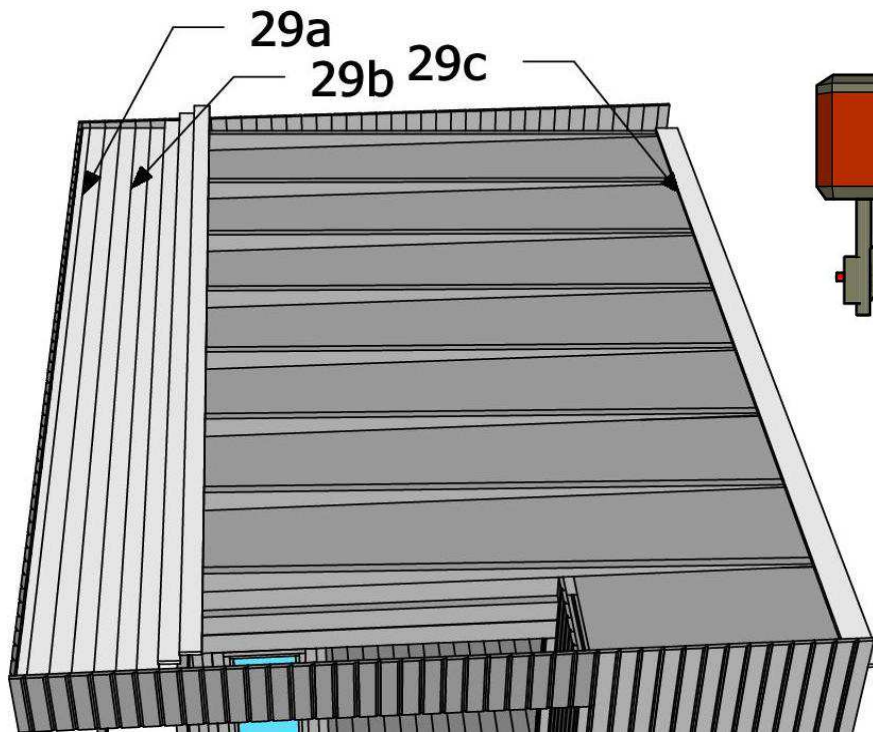


+	28	8	3,5 x 40
---	----	---	----------

ELIN

Assembly instruction

34/43



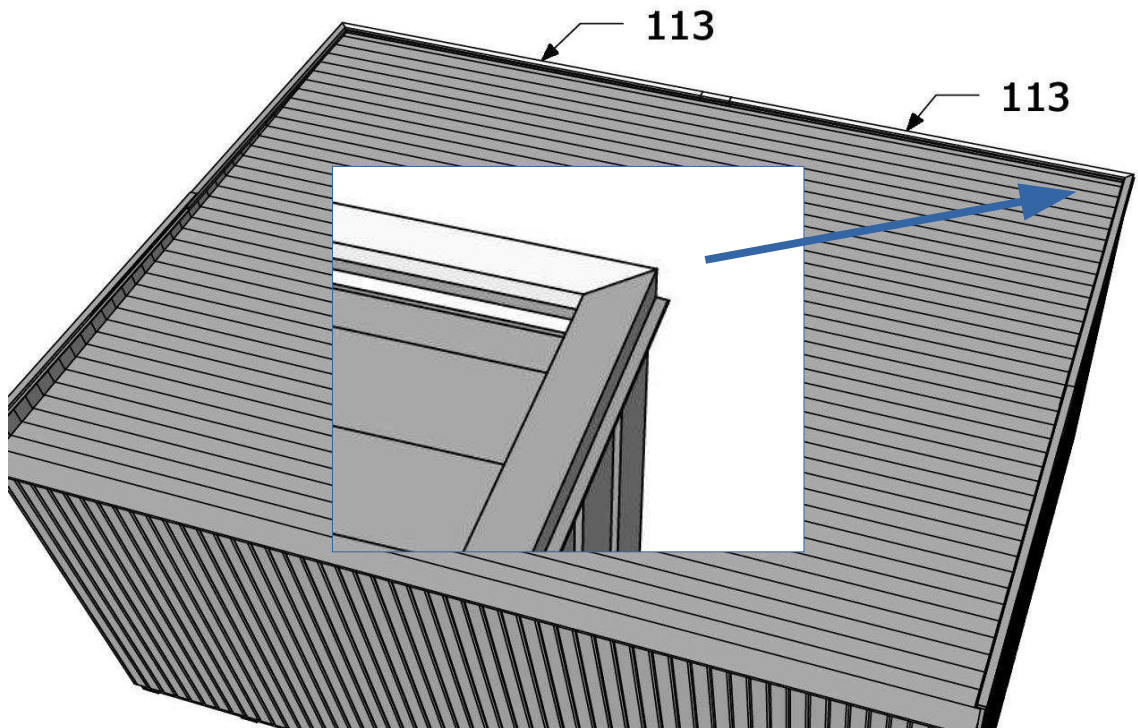
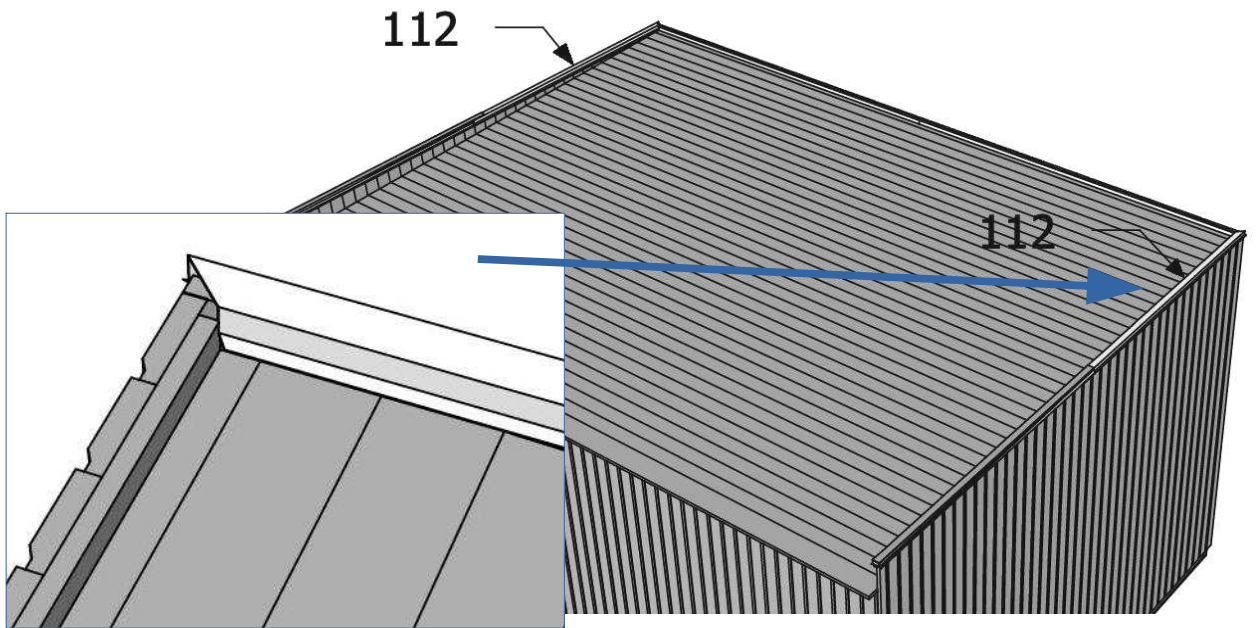
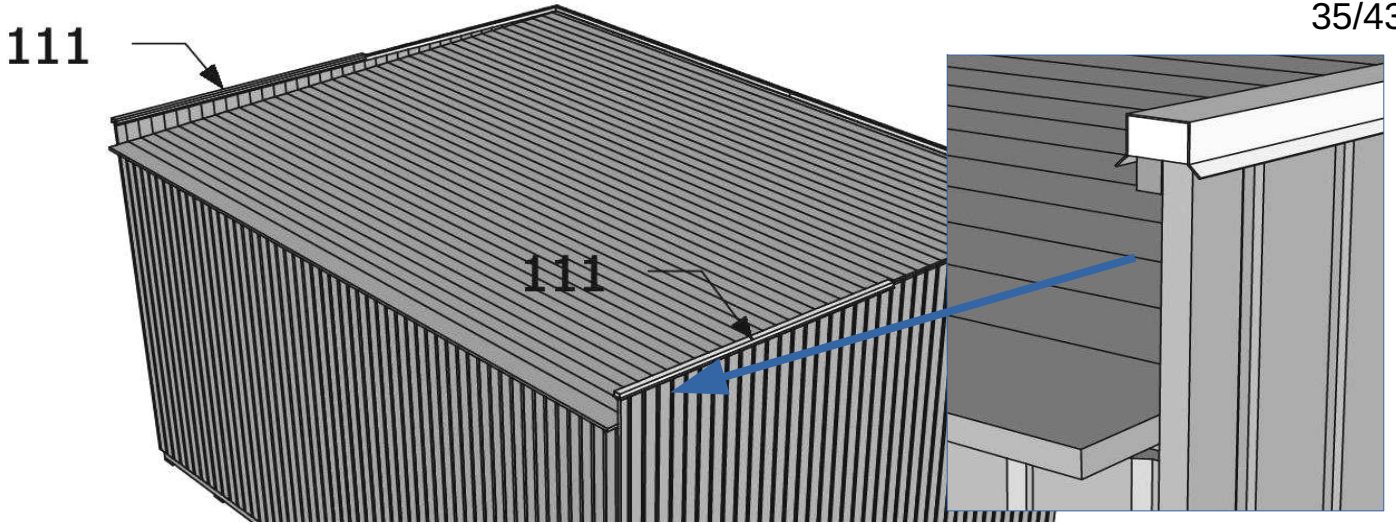
30a + **30b**

22	3 x 30
-----------	---------------

ELIN

Assembly instruction

35/43

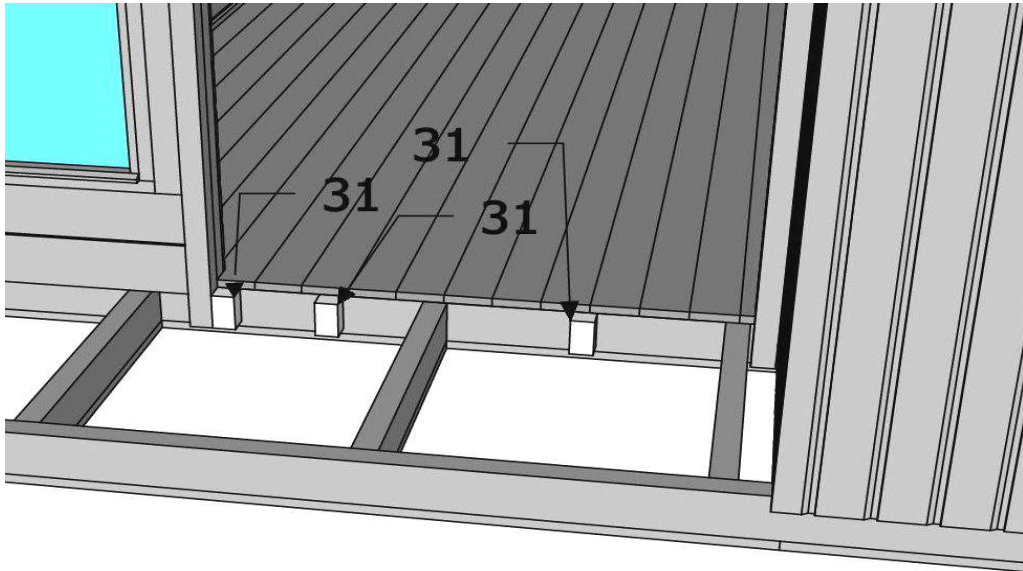


111 + **112** + **113** **16** **special**

ELIN

Assembly instruction

36/43

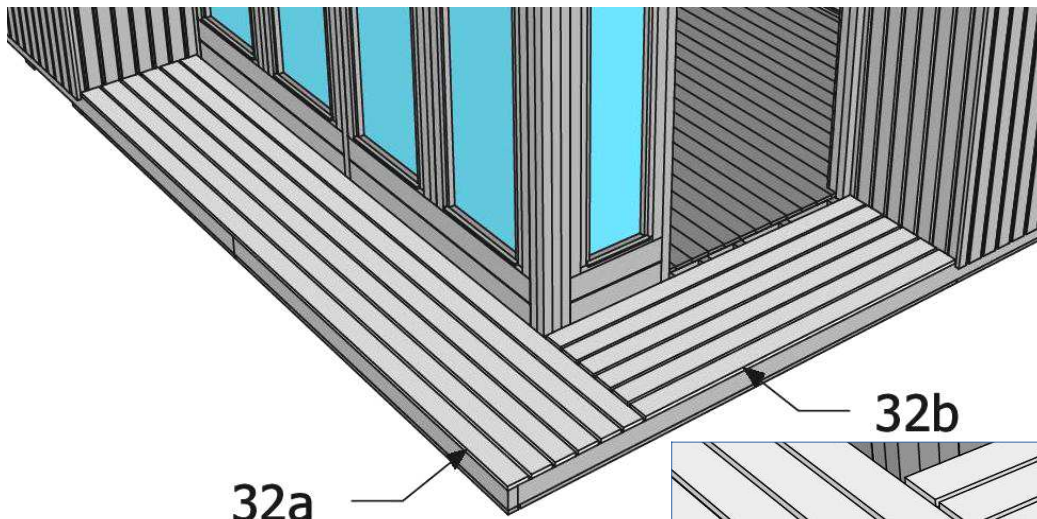


+

31

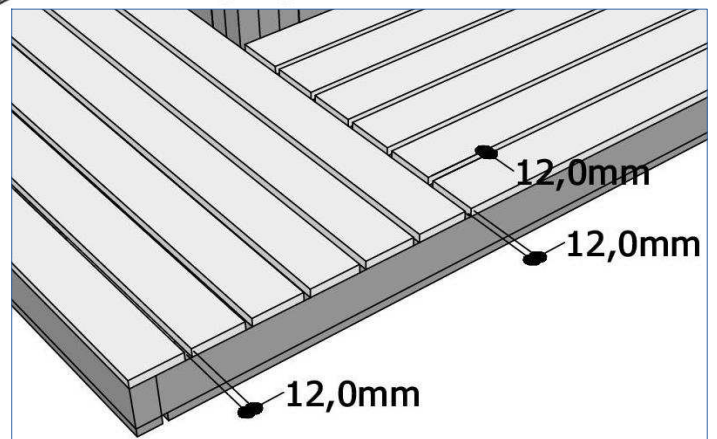
3

4,5 x 80



32a

32b



12,0mm

12,0mm

12,0mm

32a

+

32b

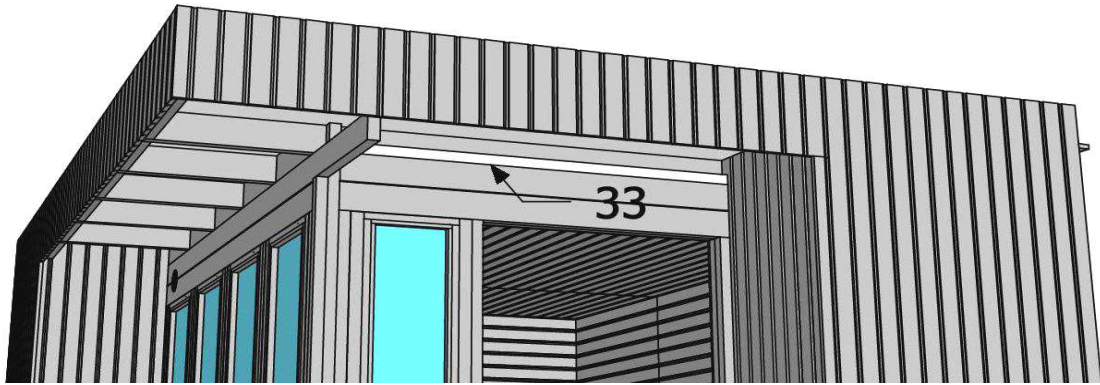
84

3,5 x 40

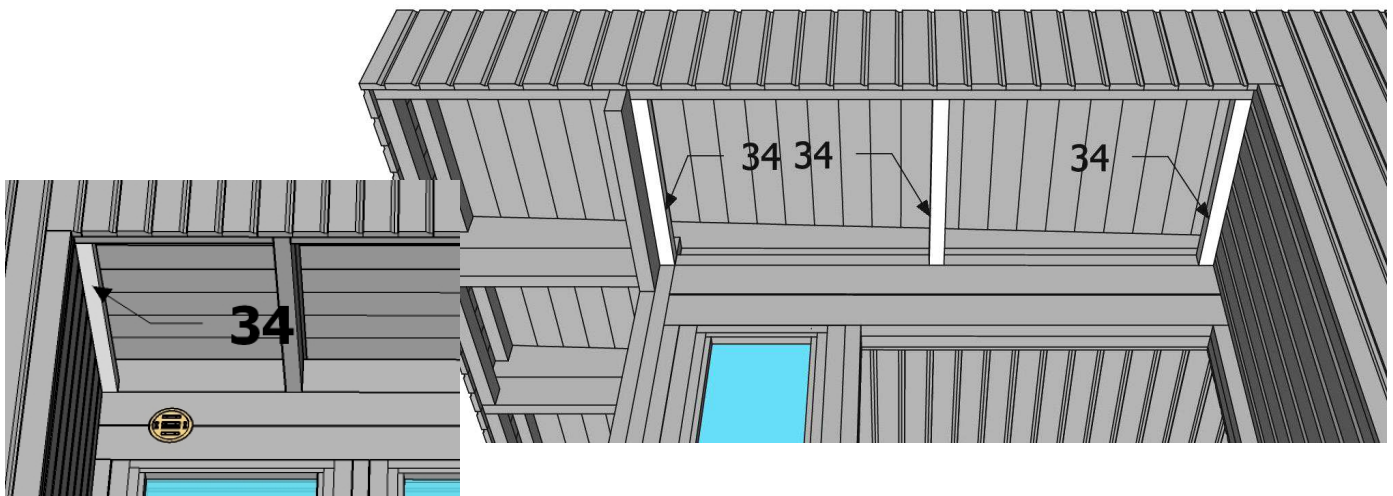
ELIN

Assembly instruction

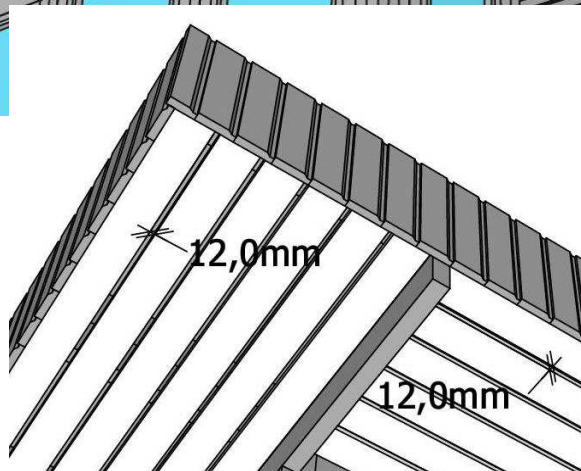
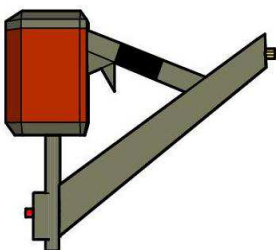
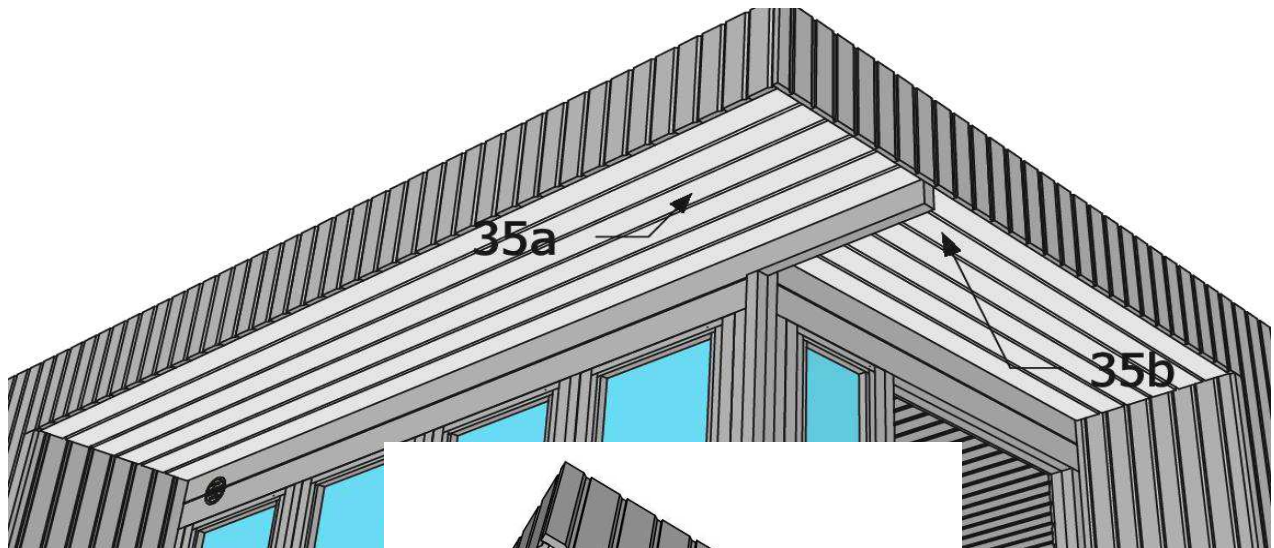
37/43



33	3	4,5 x 80
-----------	----------	-----------------



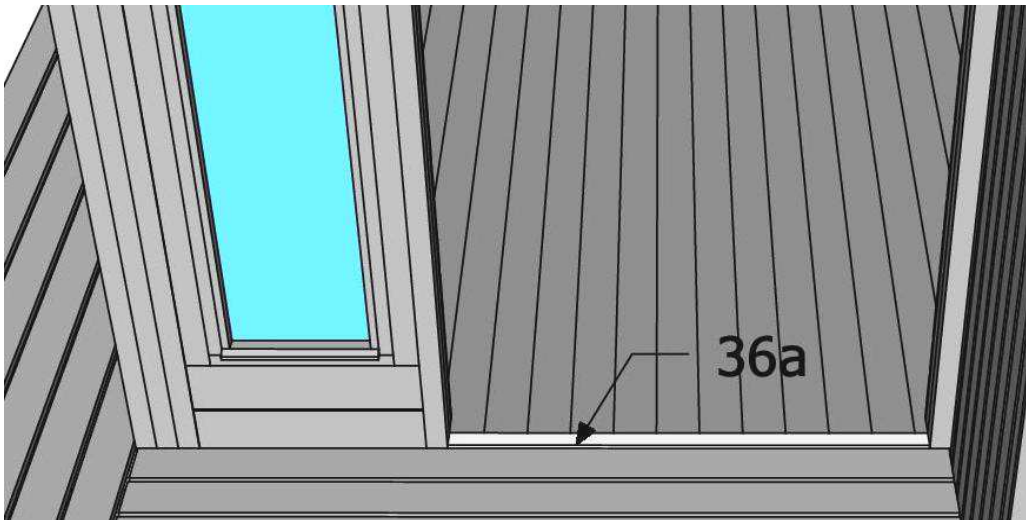
34	8	4,5 x 80
-----------	----------	-----------------



ELIN

Assembly instruction

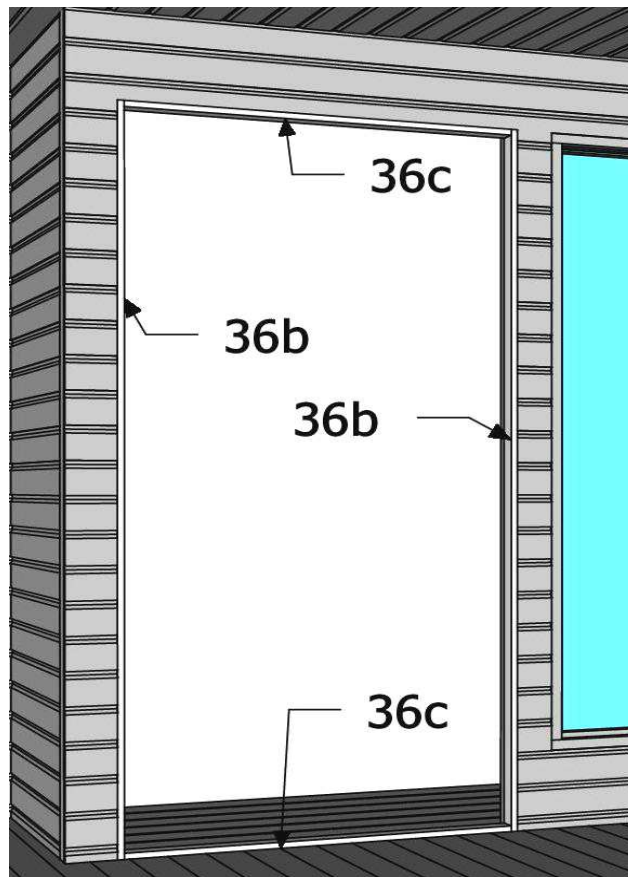
38/43



36a

3

3,5 x 40



36b

+

36c

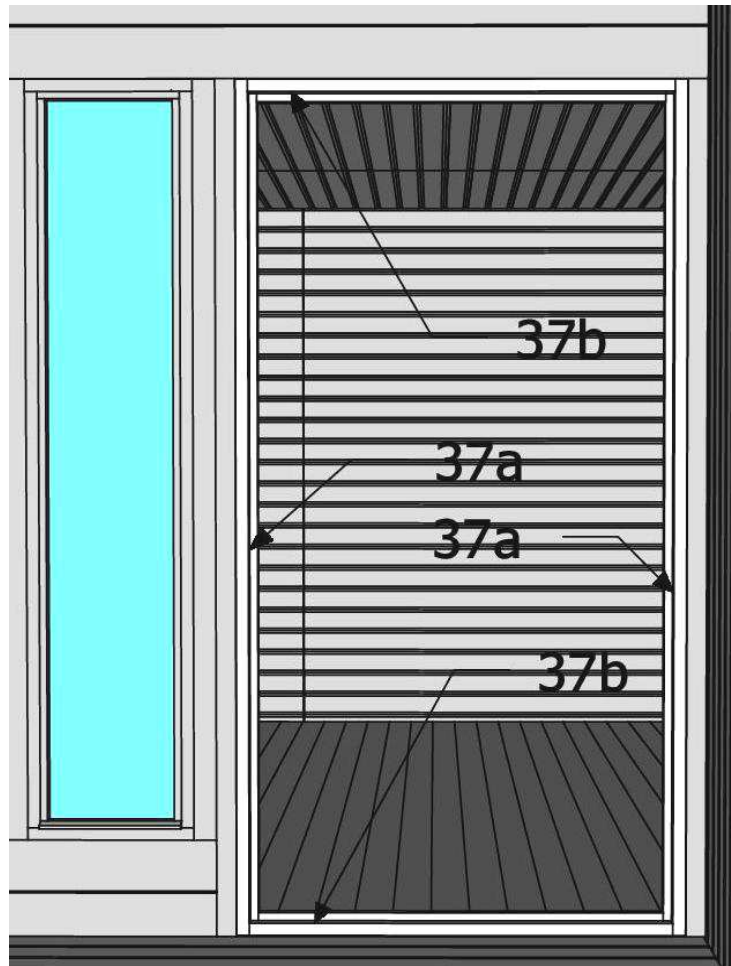
14

3,5 x 40

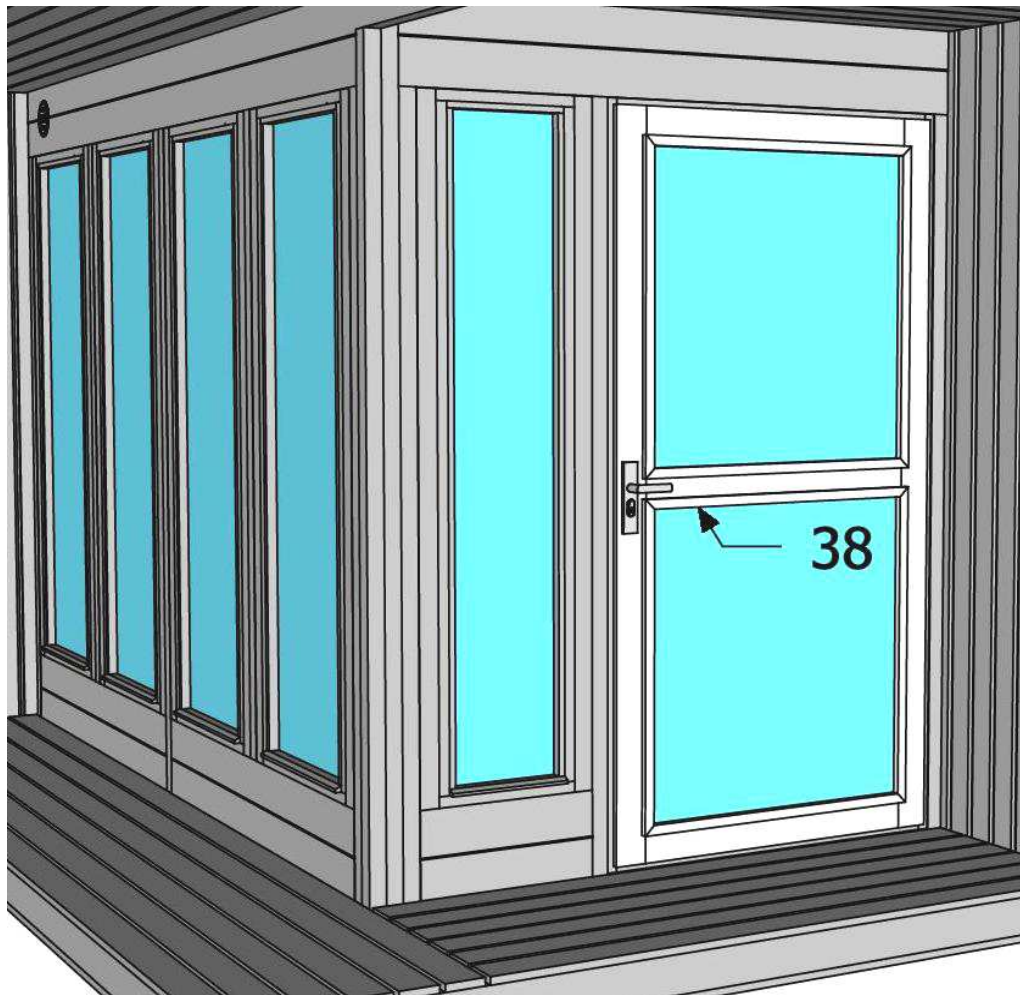
ELIN

Assembly instruction

39/43



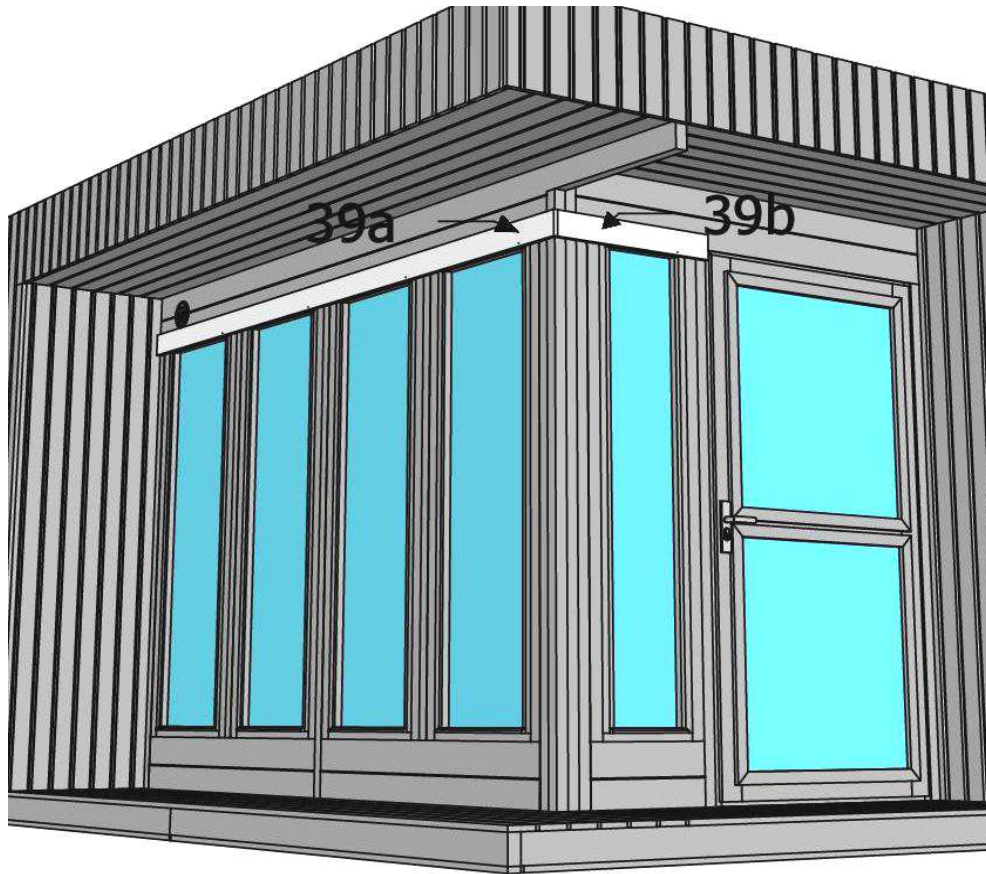
37a	+	37b	14	4 x 60
------------	---	------------	-----------	---------------



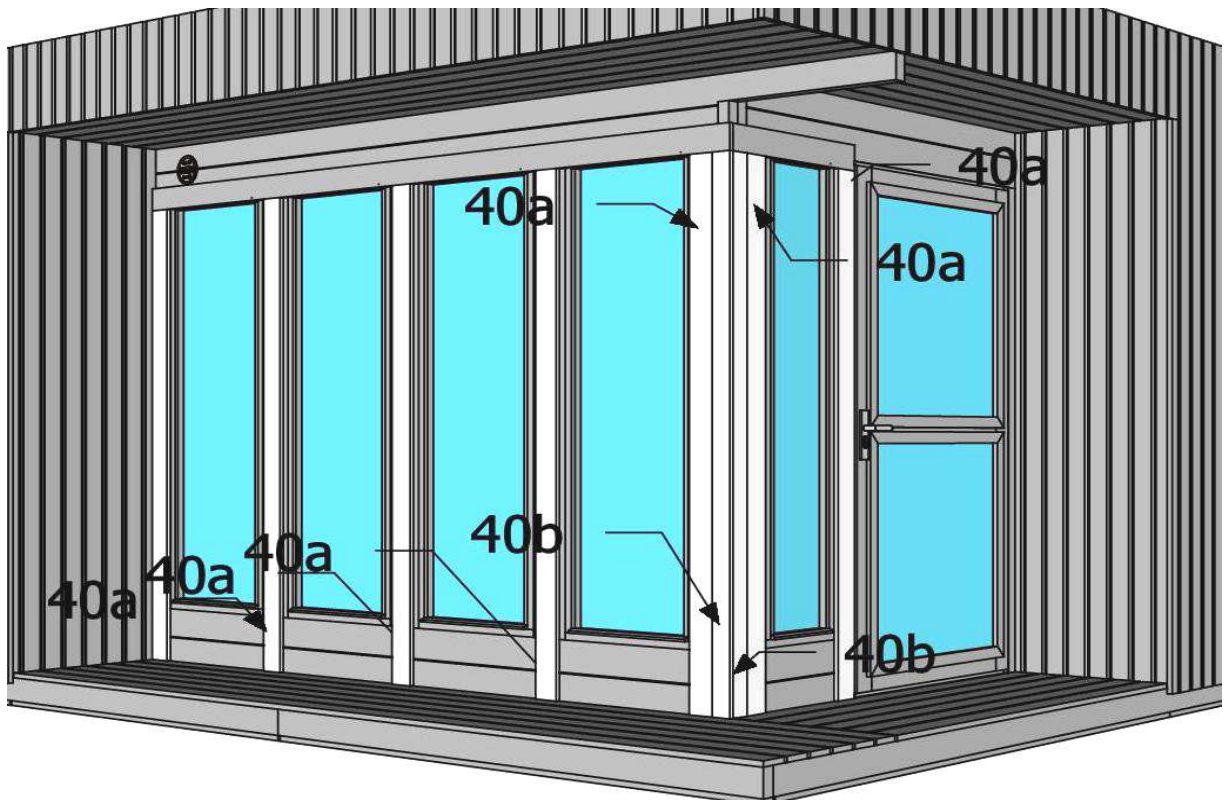
ELIN

Assembly instruction

40/43



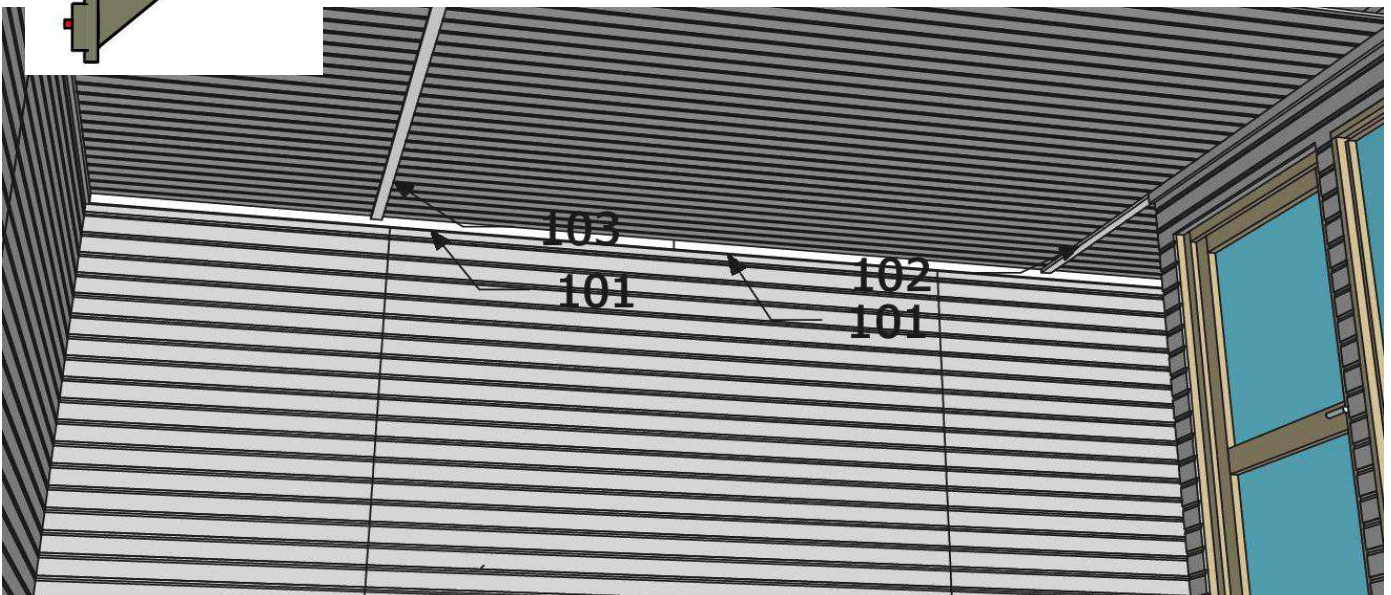
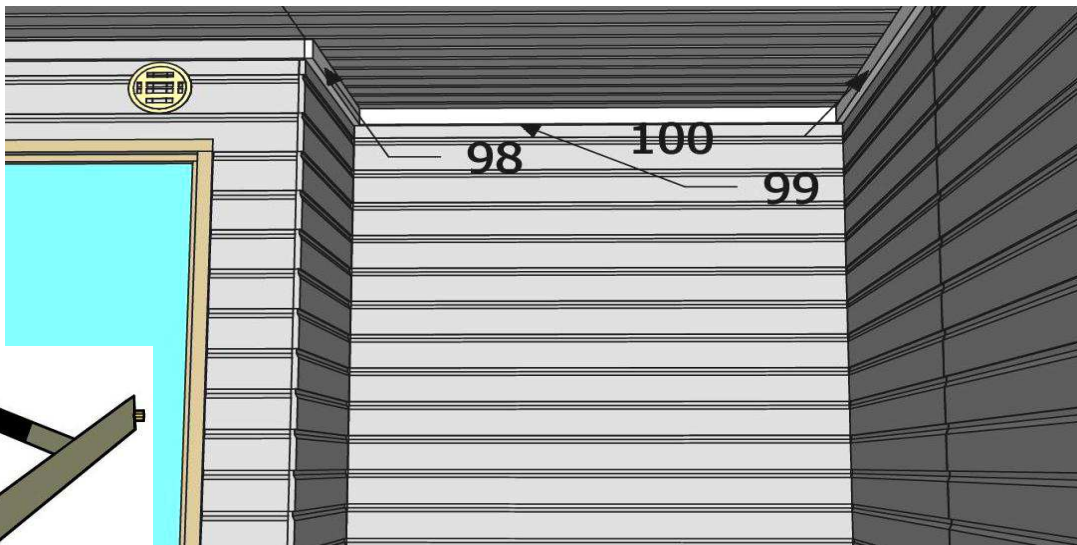
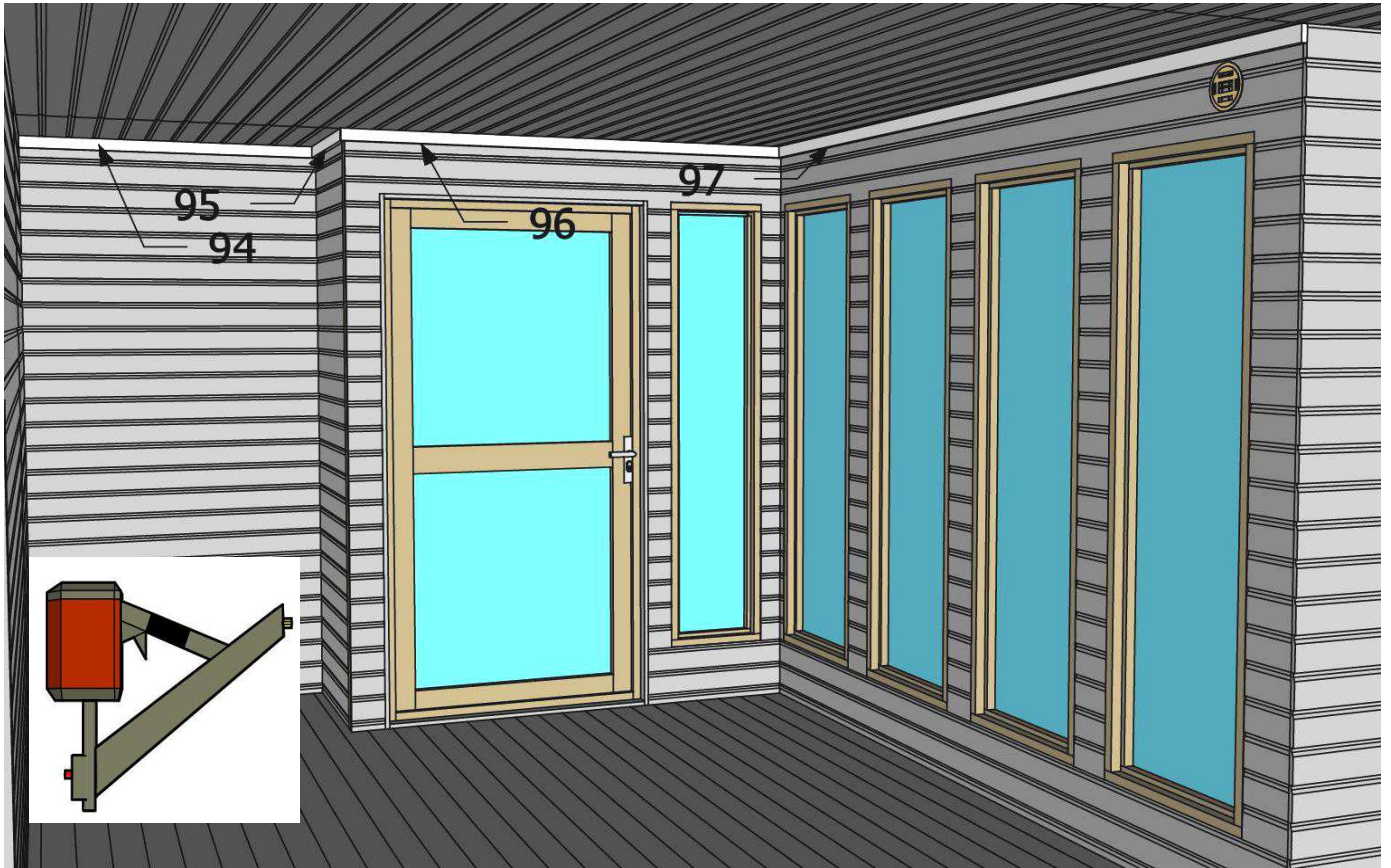
39a	+	39b	8	3,5 x 40
------------	---	------------	----------	-----------------



40a	+	40b	36	3,5 x 40
------------	---	------------	-----------	-----------------

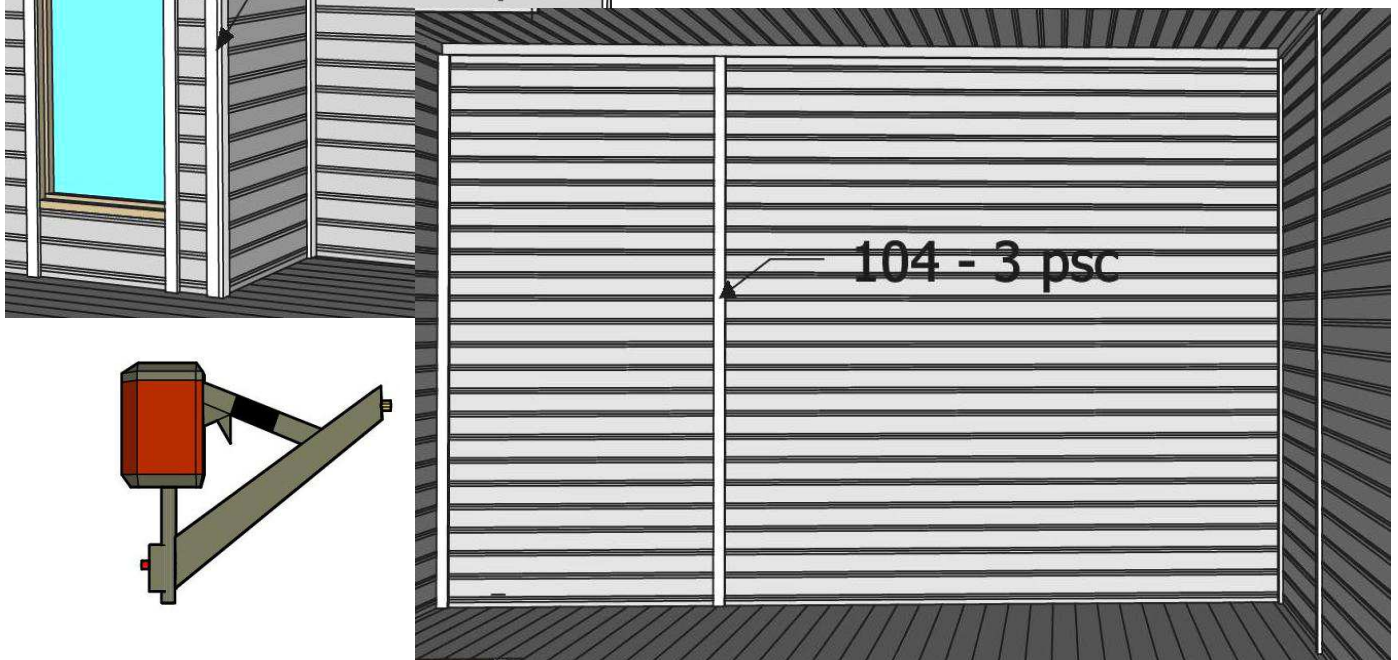
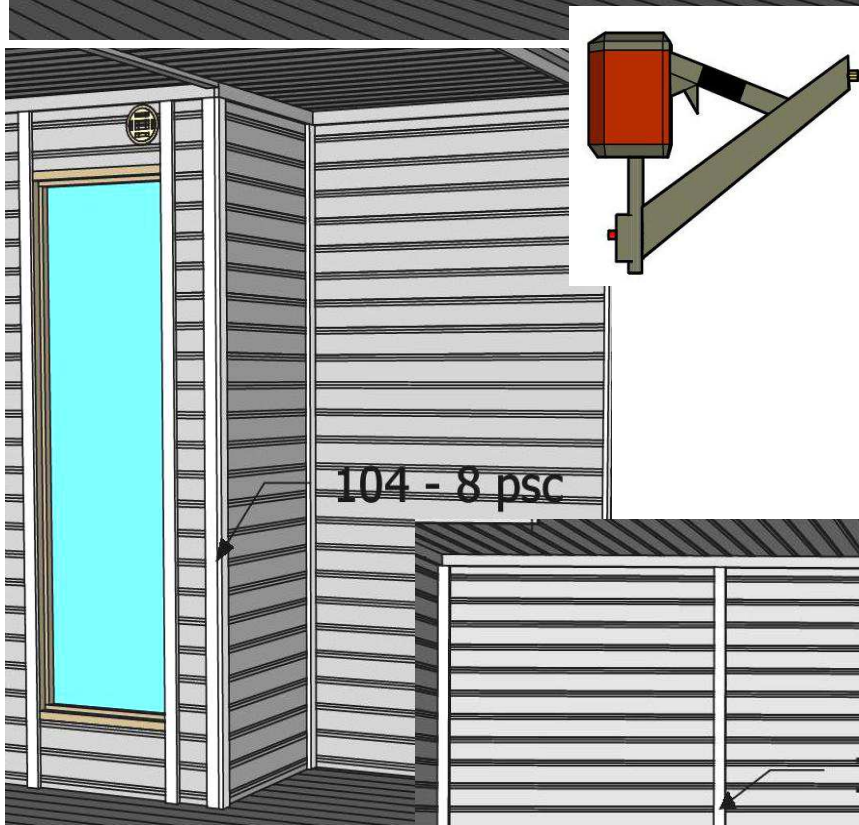
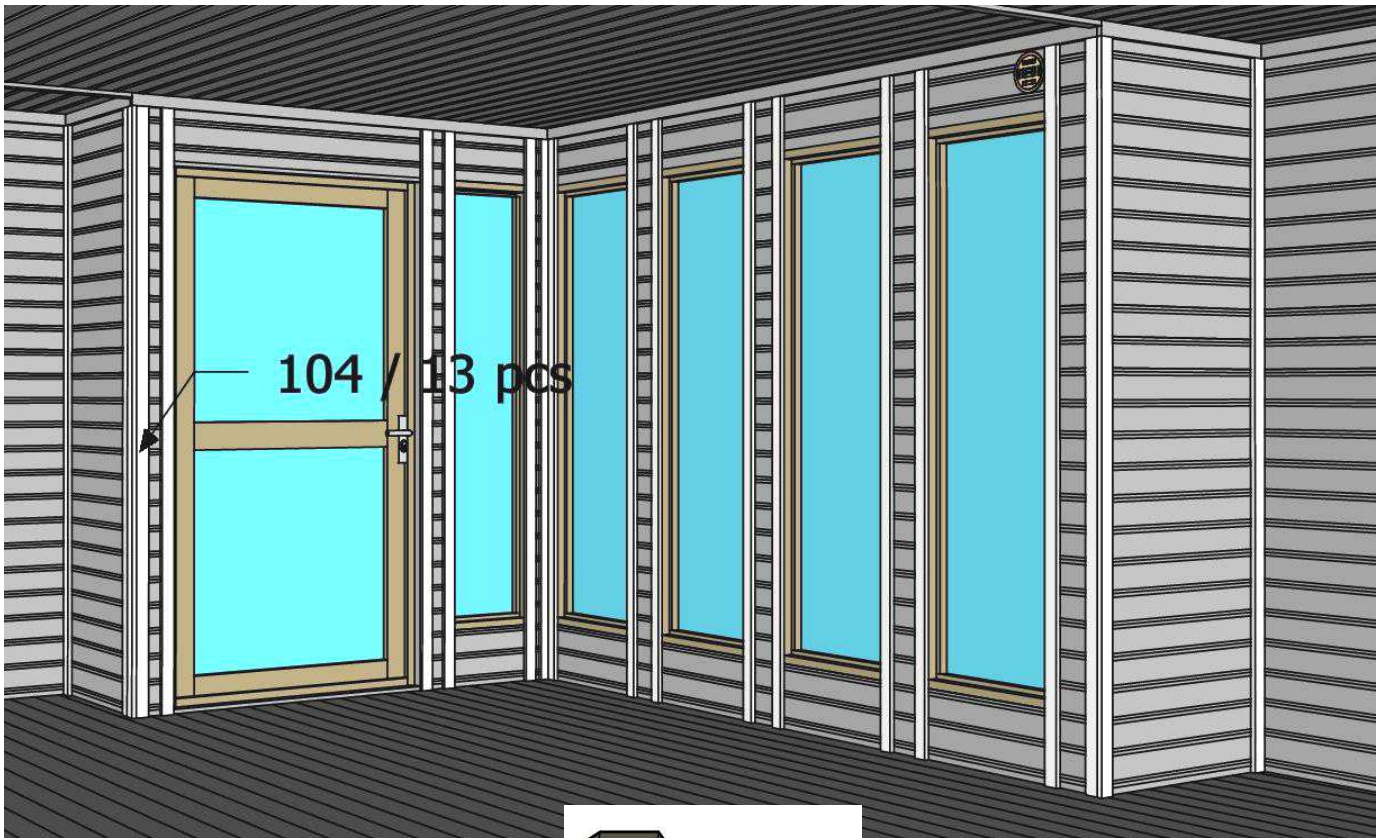
ELIN

Assembly instruction



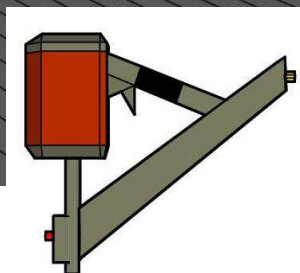
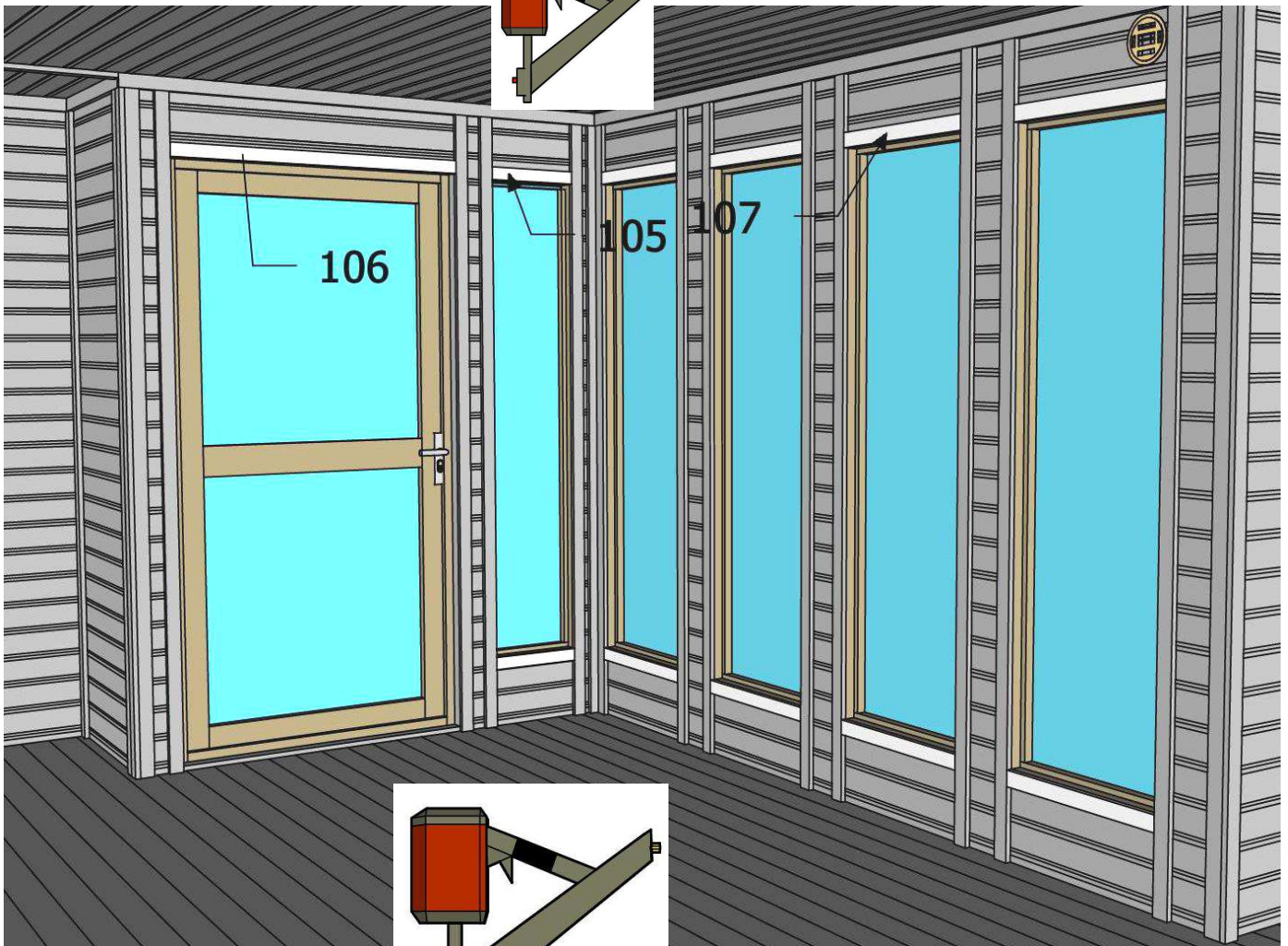
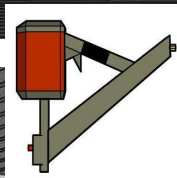
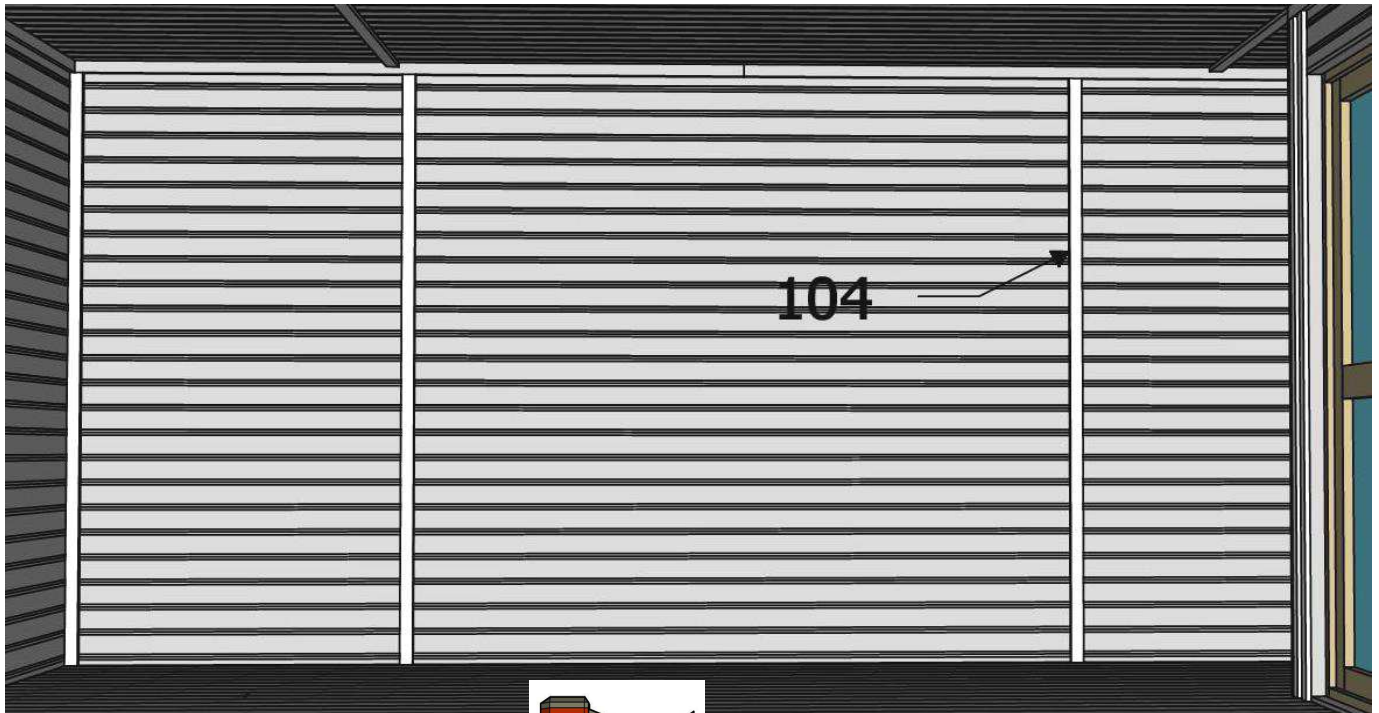
ELIN

Assembly instruction



ELIN

Assembly instruction



PACKING LIST

PRODUCT:

ELIN

page

Product code:

40.0817

1/4

element nr.	element`s name	quantity	dimension (mm.)	specify
1a	bottom beam	2	44 x 94 x 2020	
1b	bottom beam	7	44 x 94 x 2748	
1c	bottom beam	4	44 x 94 x 3422	
1d	bottom beam	1	44 x 94 x 3510	
1e	bottom beam	10	44 x 94 x 630	
2a	floorboard	1	19 x 90 x 4768	first, w.o. tap
2b	floorboard	12	19 x 90 x 4768	
2c	floorboard	18	19 x 90 x 4094	
2d	floorboard	8	19 x 90 x 1214	
2e	floorboard	1	19 x 46 x 2880	end, w.o. groove
3	narrow wall	2	630 x 2360	
4	side wall	5	1170 x 2560	
4a	filling board for side walls	3	19 x 90 x 2560	
5	back wall	4	1170 x 2360	
5a	filling board for back walls	5	19 x 90 x 2360	
6	interior corner beam	1	44 x 44 x 2172	
7a	lashing slat	2	28 x 44 x 674	
7b	lashing slat	1	28 x 44 x 1082	
7c	lashing slat	1	28 x 44 x 4768	
7d	lashing slat	1	28 x 44 x 3422	
7e	lashing slat	1	28 x 44 x 1214	
8a	upright beam, window wall	1	88 x 113 x 2300	compiled
8b	upright beam, window wall	1	88 x 144 x 2300	compiled
8c	upright beam, window wall	1	88 x 94 x 2300	compiled
9a	upright beam, door wall	1	88 x 94 x 2300	compiled
9b	upright beam, door wall	1	88 x 94 x 2300	compiled
9c	upright beam, door wall	1	88 x 120 x 2300	compiled
10a	lower belt, window wall	2	44 x 240 x 1363	compiled
10b	lower belt, door wall	1	44 x 240 x 470	compiled
11	outside corner beam	1	44 x 44 x 2339	door wall
12	outside corner beam	1	44 x 44 x 2192	window wall
13	upper belt, door wall	1	44 x 240 x 1603	compiled
14	upper belt, window wall	1	44 x 240 x 3535	compiled
15	upright beam between windows	2	88 x 144 x 2200	compiled
16	window (window wall)	4	646 x 1735	
17	window (door wall)	1	457 x 1735	
18	rafters	9	44 x 264/135 x 3510	compiled
19a	rafter`s distance brick	1	44 x 120 x 513	
19b	rafter`s distance brick	4	44 x 120 x 532	
20	doorway slat	1	44 x 44 x 1000	
21	filling board with tap	1	19 x 64 x 2560	
22	filling board with groove	2	19 x 64 x 2560	

PACKING LIST

PRODUCT:

ELIN

page

Product code:

40.0817

2/4

23	filling board with tap	1	19 x 44 x 2339	
24	filling board with groove	1	19 x 64 x 2220	
25	filling board with groove	1	19 x 44 x 2219	
26	filling board with tap	1	19 x 64 x 2220	
27a	roof front edge brick	9	44 x 68 x 532	
27b	roof front edge brick	1	44 x 68 x 513	
27c	roof front edge brick	2	44 x 68 x 630	
28	roof front edge board	67	19 x 90 x 340	
29a	roof board	1	19 x 42 x 4768	first, w.o. tap
29b	roof board	38	19 x 90 x 4768	
29c	roof board	1	19 x 134 x 4768	end, w.o. groove
30a	roof upper edge slat	2	16 x 28 x 3530	
30b	roof upper edge slat	2	16 x 28 x 2368	
31	doorway`s lower support brick	3	44 x 44 x 81	
32a	veranda floor board	6	19 x 94 x 3530	
32b	veranda floor board	6	19 x 94 x 1680	
33	filling slat for door wall	1	44 x 44 x 1602	
34	veranda`s roof fixing slat	4	44 x 44 x 586	
35a	veranda roof board	6	16 x 94 x 3536	
35b	veranda roof board	6	16 x 94 x 1647	
36a	doorways lower slat	1	19 x 40 x 1000	
36b	doorway slat	2	16 x 44 x 1960	
36c	doorway slat	2	16 x 44 x 968	
37a	door jamb	1+1	46 x 52 x 1960	left / right
37b	door jamb	2	46 x 52 x 944	upper / lower
38	door	1	959 x 1926	
39a	cover board, upper	1	16 x 94 x 2922	
39b	cover board, upper	1	16 x 94 x 647	
40a	cover board, upright	7	16 x 94 x 1920	
40b	cover board, upright	2	16 x 70 x 1920	

PACKING LIST

PRODUCT: ELIN
Product code: 40.0817

page

3/4

41a	floor insulation lower board	2	19 x 100 x 3510	
41b	floor insulation lower board	5	19 x 100 x 2836	
41c	floor insulation lower board	2	19 x 100 x 1170	
41d	floor insulation lower board	1	19 x 100 x 1666	
41e	floor insulation lower board	1	19 x 100 x 665	
41f	floor insulation lower board	5	19 x 44 x 674	
41g	floor insulation lower board	5	19 x 44 x 630	
41h	floor insulation lower board	1	19 x 44 x 2286	
41i	floor insulation lower board	1	19 x 44 x 2010	
41j	floor insulation lower board	1	19 x 44 x 1524	
42a	floor insulation board	13	19 x 90 x 625	
42b	floor insulation board	155	19 x 90 x 525	
42c	floor insulation board	78	19 x 90 x 535	
43	wall insulation lower board	1	12 x 40 x 2880	w.o. groove
44	wall insulation board	3	12 x 90 x 2880	
45	wall insulation board, special	1	12 x 90 x 2880	scrapings
46	wall insulation upper board	1	12 x 90 x 2880	w.o. tap
47	wall insulation board	19	12 x 90 x 50	
48	wall insulation board	57	12 x 90 x 145	
49	wall insulation board	19	12 x 90 x 158	
50	fixing slat	15	44 x 44 x 665	
51	wall insulation lower board	1	12 x 40 x 686	w.o. groove
52	wall insulation board	23	12 x 90 x 686	
53	wall insulation upper board	1	12 x 90 x 686	w.o. tap
54	wall insulation lower board	1	12 x 40 x 1130	w.o. groove
55	wall insulation board	23	12 x 90 x 1130	
56	wall insulation upper board	1	12 x 90 x 1130	w.o. tap
57	wall insulation lower board	1	12 x 40 x 1100	w.o. groove
58	wall insulation board	23	12 x 90 x 1100	
59	wall insulation upper board	1	12 x 90 x 1100	w.o. tap
60	wall insulation lower board	1	12 x 40 x 2290	w.o. groove
61	wall insulation board	23	12 x 90 x 2290	
62	wall insulation upper board	1	12 x 90 x 2290	w.o. tap
63	wall insulation lower board	1	12 x 40 x 1082	w.o. groove
64	wall insulation board	23	12 x 90 x 1082	
65	wall insulation upper board	1	12 x 90 x 1082	w.o. tap
66	wall insulation lower board	1	12 x 40 x 617	w.o. groove
67	wall insulation board	23	12 x 90 x 617	
68	wall insulation upper board	1	12 x 90 x 617	w.o. tap
69	wall insulation lower board	2	12 x 40 x 1164	w.o. groove
70	wall insulation board	46	12 x 90 x 1164	
71	wall insulation upper board	2	12 x 90 x 1164	w.o. tap
72	wall insulation lower board	1	12 x 40 x 2326	w.o. groove
73	wall insulation board	23	12 x 90 x 2326	

PACKING LIST

PRODUCT: ELIN

page

Product code: **40.0817**

4/4

74	wall insulation upper board	1	12 x 90 x 2326	w.o. tap
75	wall insulation lower board	1	12 x 40 x 120	w.o. groove
76	wall insulation board	21	12 x 90 x 120	
77	wall insulation lower board	1	12 x 40 x 547	w.o. groove
78	wall insulation board	2	12 x 90 x 547	
79	wall insulation board	19	12 x 90 x 81	
80	wall insulation board	19	12 x 90 x 94	
81	wall insulation board, special	1	12 x 90 x 1667	scrapings
82	wall insulation board	1	12 x 90 x 1667	
83	wall insulation upper board	1	12 x 90 x 1667	w.o. tap
84	roof insulation fixing slat	1	44 x 44 x 1170	
85	roof insulation fixing slat	1	44 x 44 x 2836	
86	roof insulation fixing slat	2	44 x 44 x 3510	
87	roof insulation board	1	12 x 70 x 1100	first, w.o. tap
88	roof insulation board	37	12 x 90 x 1100	
89	roof insulation board	1	12 x 70 x 2882	first, w.o. tap
90	roof insulation board	29	12 x 90 x 2882	
91	roof insulation board	1	12 x 44 x 2882	end, w.o. groove
92	roof insulation board	1	12 x 70 x 674	first, w.o. tap
93	roof insulation board	11	12 x 90 x 674	
94	corner slat, upper	1	16 x 44 x 1058	
95	corner slat, upper	1	16 x 44 x 658	
96	corner slat, upper	1	16 x 44 x 1682	
97	corner slat, upper	1	16 x 44 x 2864	
98	corner slat, upper	1	16 x 44 x 690	
99	corner slat, upper	1	16 x 44 x 1086	
100	corner slat, upper	1	16 x 44 x 3382	
101	corner slat, upper	2	16 x 44 x 2314	
102	corner slat, upper	1	16 x 44 x 1026	inside roof
103	corner slat, upper	1	16 x 44 x 2692	inside roof
104	cover slat	26	16 x 44 x 2144	wall
105	window aperture slat	2	16 x 44 x 314	
106	doorway's upper cover slat	1	16 x 44 x 968	
107	window aperture slat	8	16 x 44 x 502	

110	ventilation grate D100	1		
111	roof edge cover tin	2	side, back, left/right	L 1820 mm.
112	roof edge cover tin	2	side, front, left/right	L 2005 mm.
113	roof edge cover tin	2	front edge, left/right	L 2550 mm,

fastening set	1
mounting foam	1
assembly instruction	1