

Date rev. Description

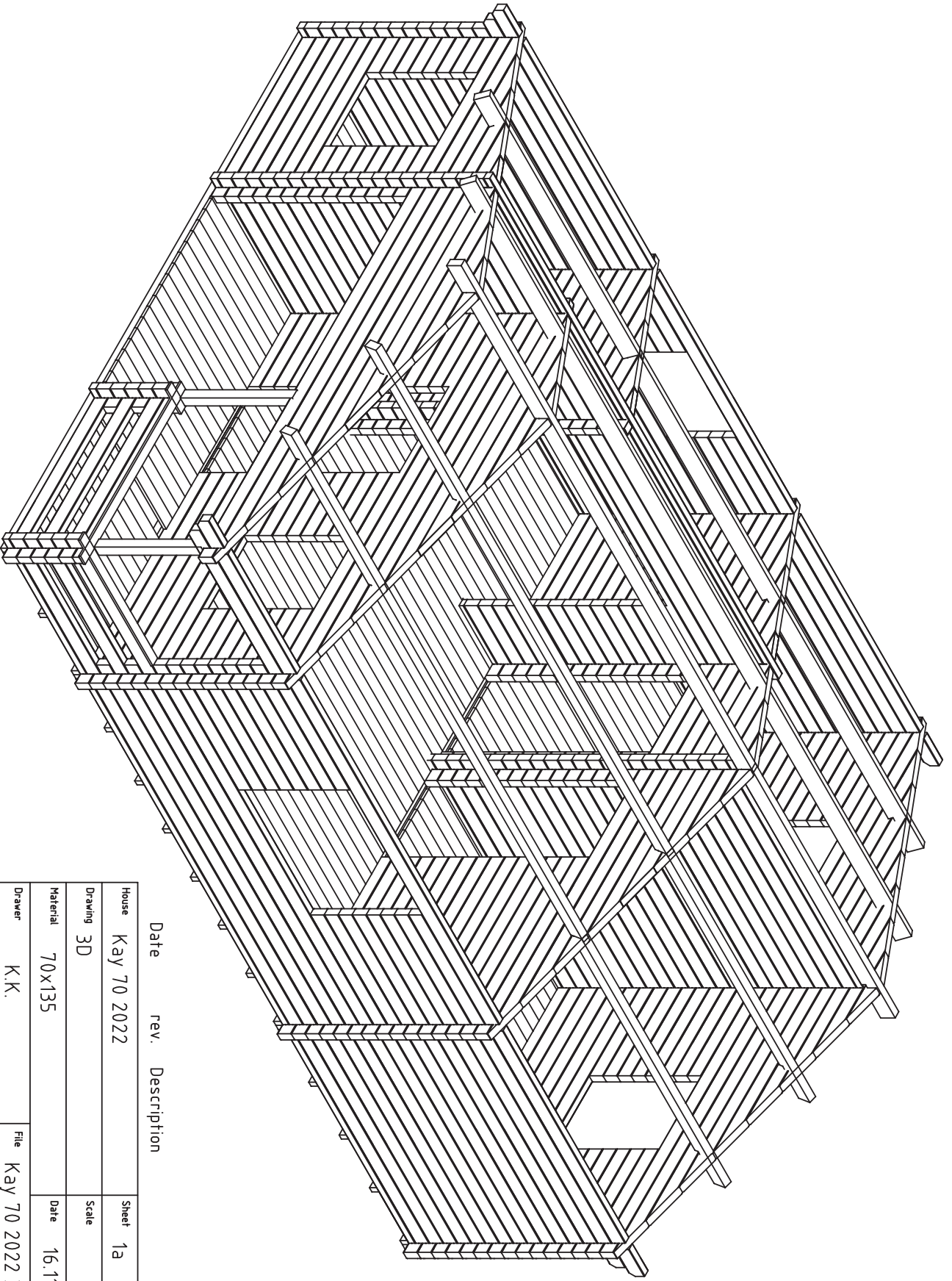
V 1.0

House	Kay 70 2022	Sheet	1
-------	-------------	-------	---

Drawing	3D	Scale	
---------	----	-------	--

Material	70x135	Date	16.11.2021
----------	--------	------	------------

Drawer	K.K.	File	Kay 70 2022 3D.dwg
--------	------	------	--------------------



Date rev. Description

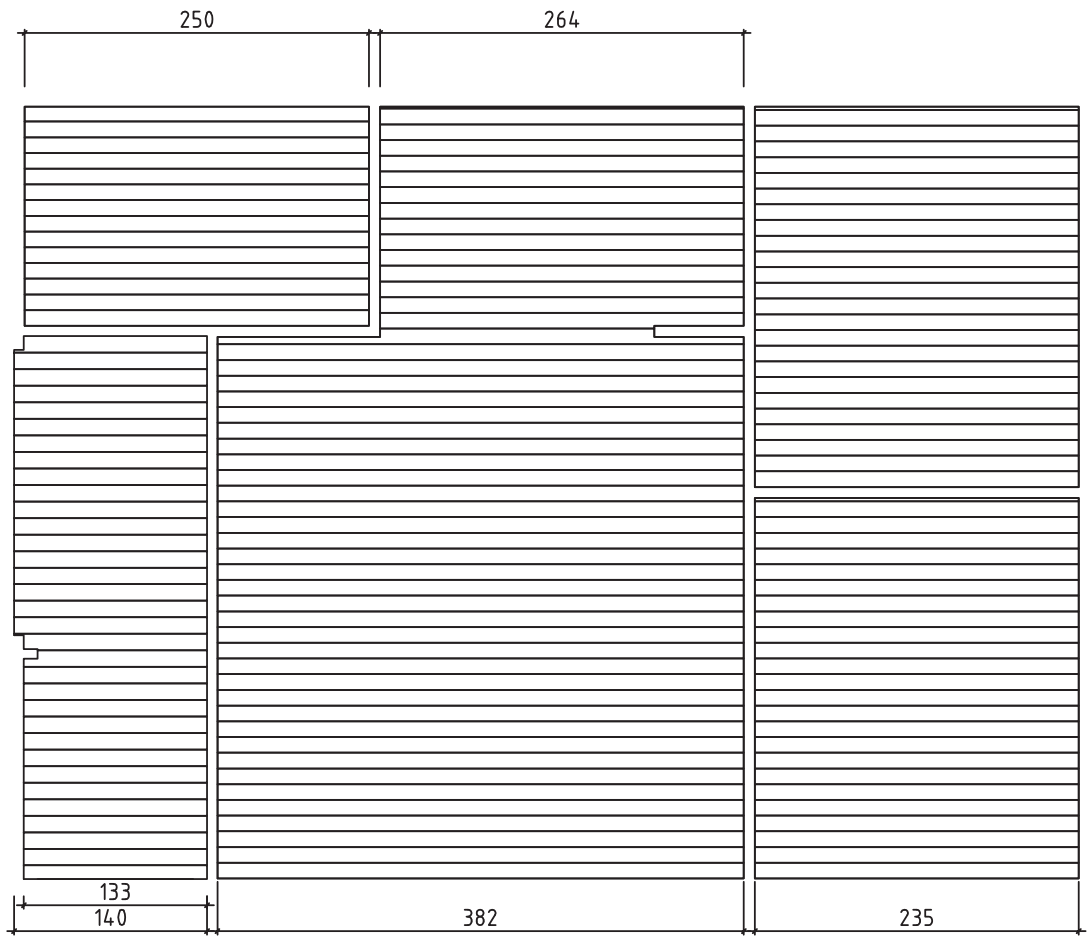
V 1.0

House	Kay 70 2022	Sheet	1a
-------	-------------	-------	----

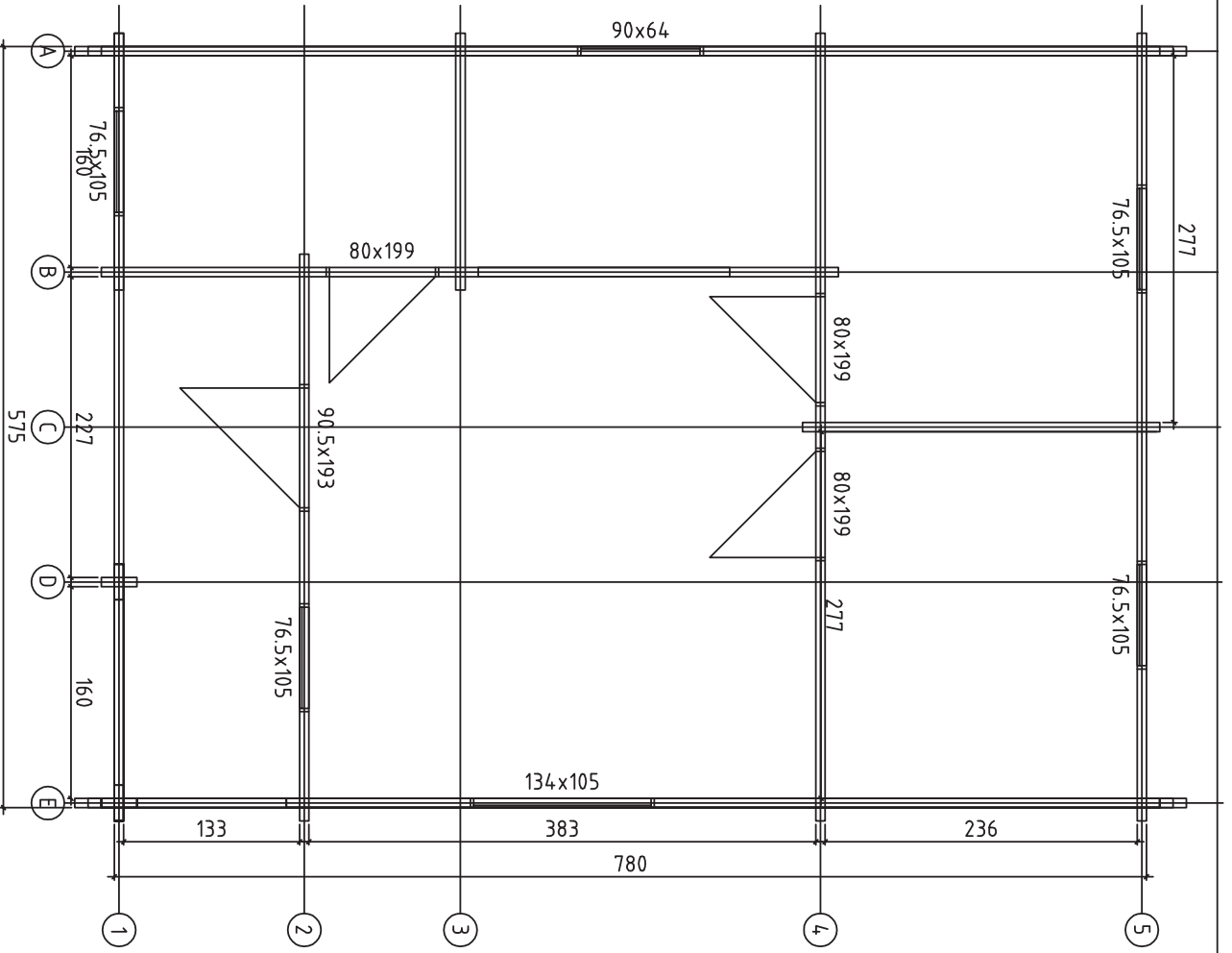
Drawing	3D	Scale	
---------	----	-------	--

Material	70x135	Date	16.11.2021
----------	--------	------	------------

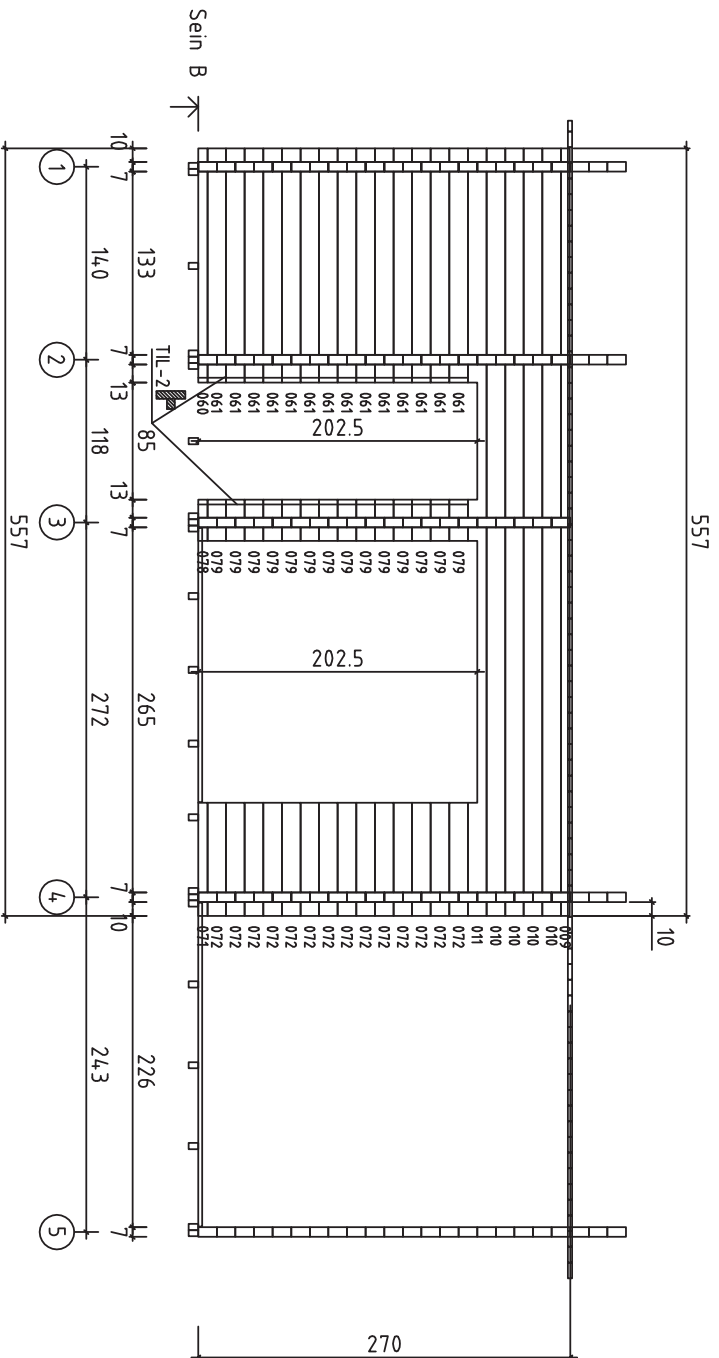
Drawer	K.K.	File	Kay 70 2022 3D.dwg
--------	------	------	--------------------



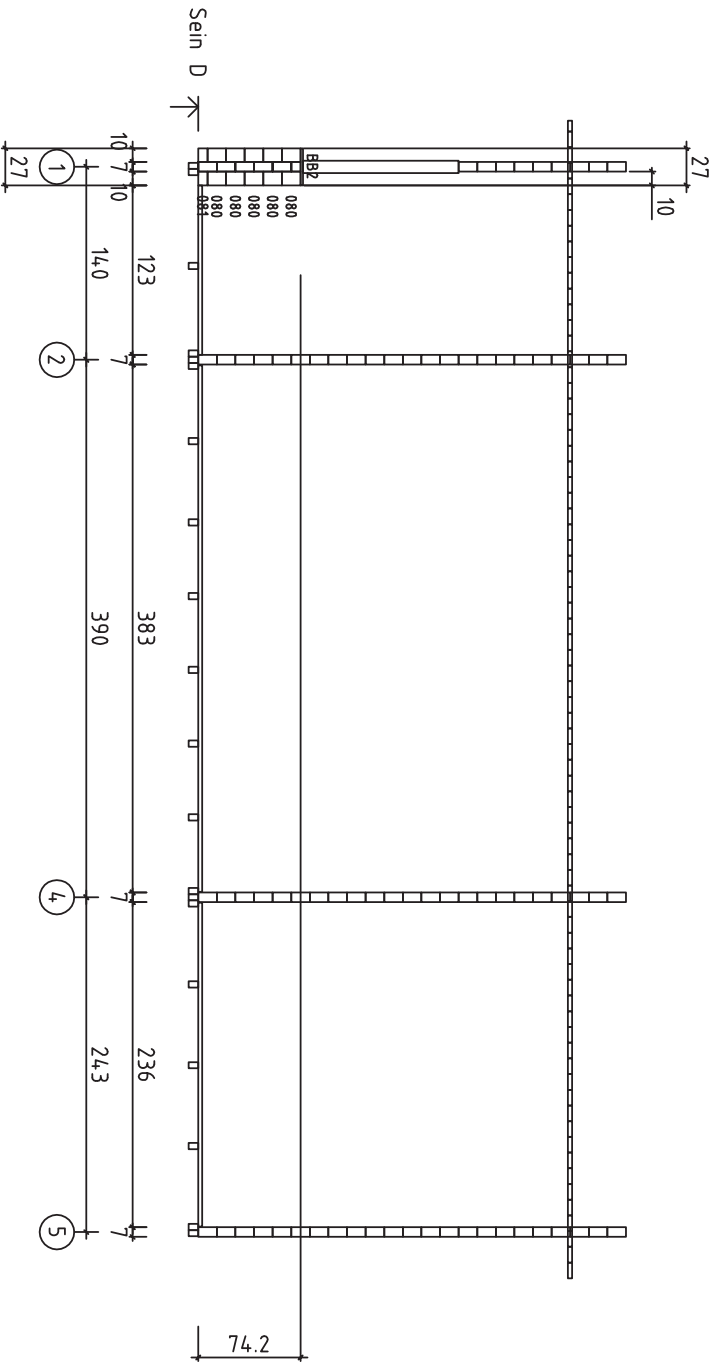
House	Kay 70 2022	Sheet	3
Drawing	Floor board	Scale	1:50
Material	114x28	Date	16.11.2021
Drawer	K.K.	File	Kay 70 2022.dwg



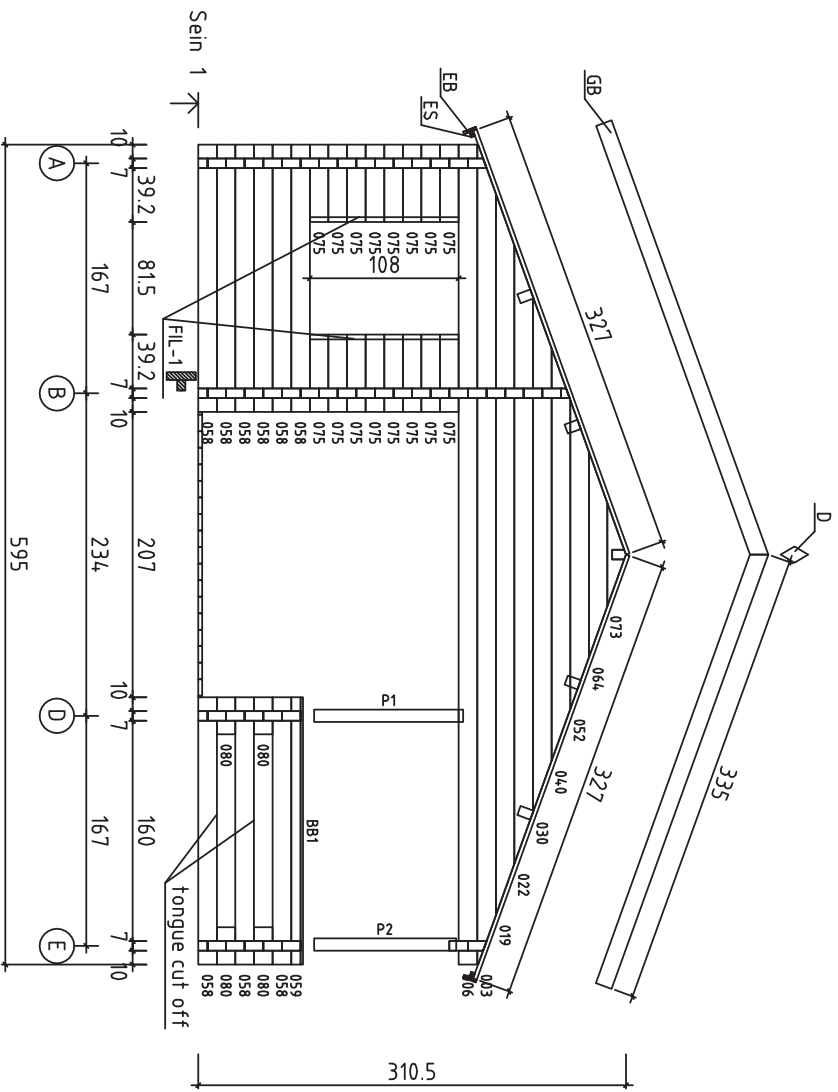
House	Kay 70 2022	Sheet	4
Drawing	Plan	Scale	1:50
Material	70x135	Date	16.11.2021
Drawer	K.K.	File	Kay 70 2022.dwg



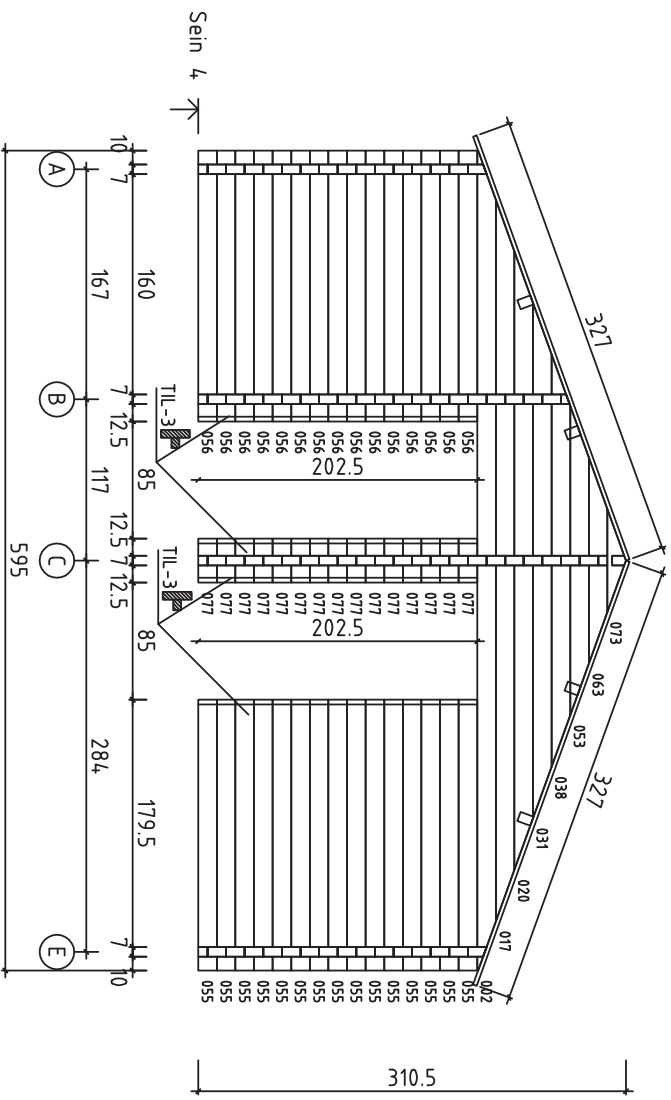
House	Kay 70 2022	Sheet	6
Drawing	SEIN B	Scale	1:50
Material	7.0x13.5	Date	16.11.2021
Drawer	K.K.	File	Kay 70 2022.dwg



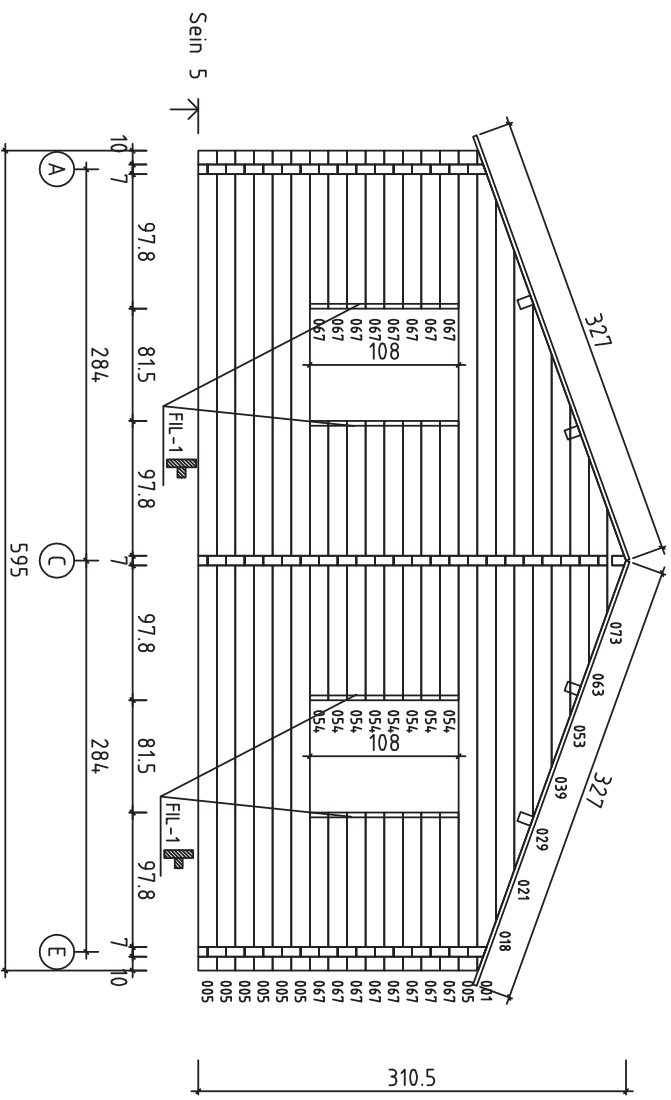
House	Kay 70 2022	Sheet	8
Drawing	SEIN D	Scale	1:50
Material	7.0x13.5	Date	16.11.2021
Drawer	K.K.	File	Kay 70 2022.dwg



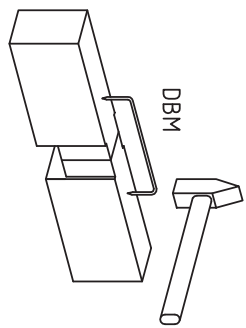
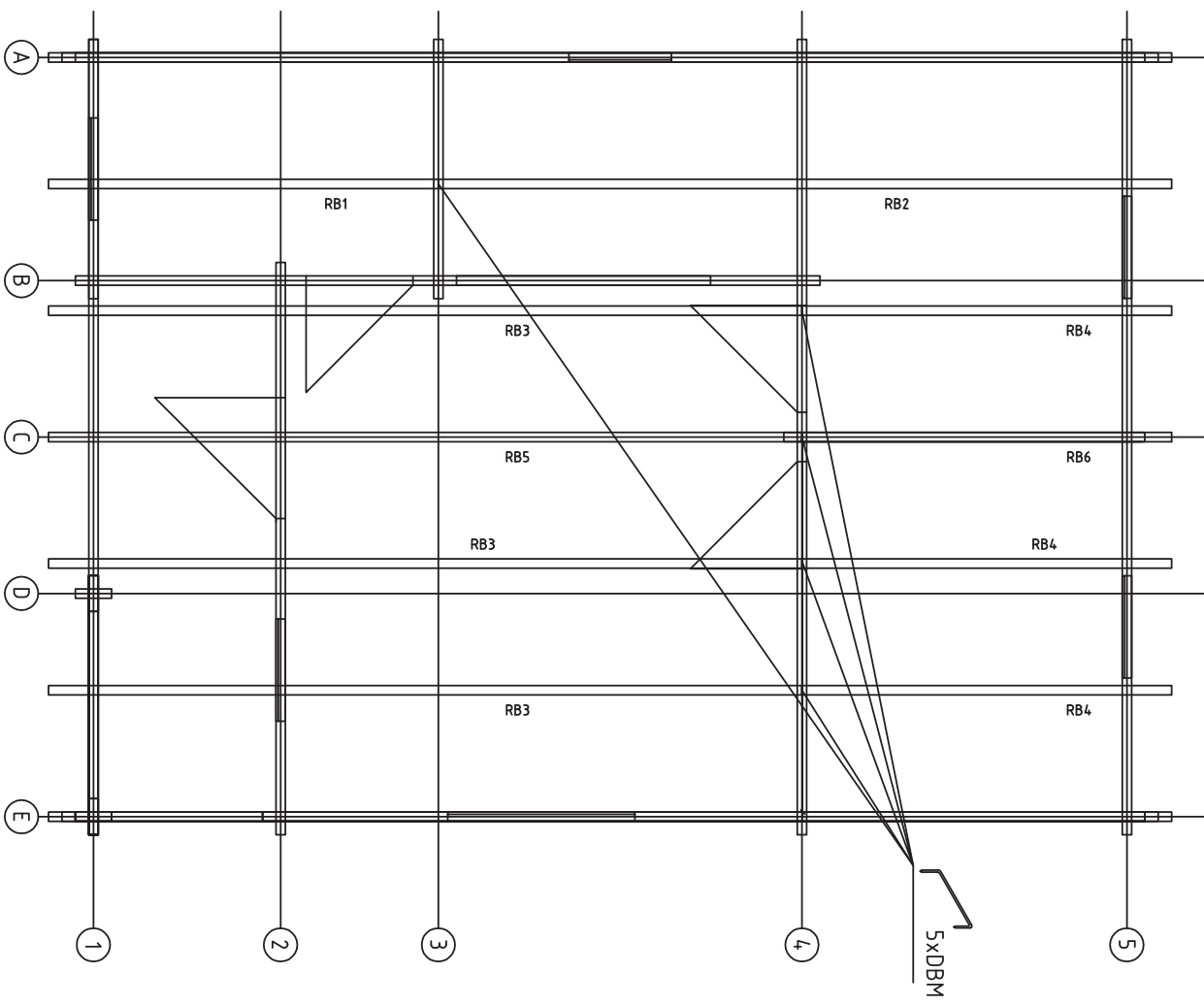
House	Kay 70 2022	Sheet	10
Drawing	SEIN 1	Scale	1:50
Material	7.0x13.5	Date	16.11.2021
Drawer	K.K.	File	Kay 70 2022.dwg



House	Kay 70 2022	Sheet	13
Drawing	SEIN 4	Scale	1:50
Material	7.0x13.5	Date	16.11.2021
Drawer	K.K.	File	Kay 70 2022.dwg

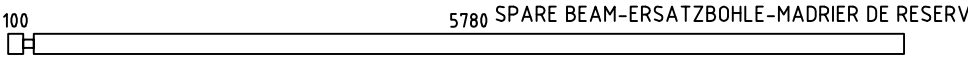
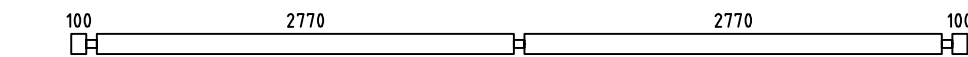
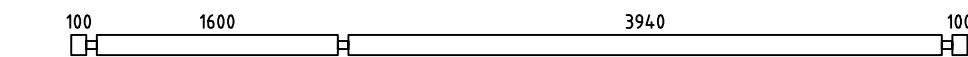
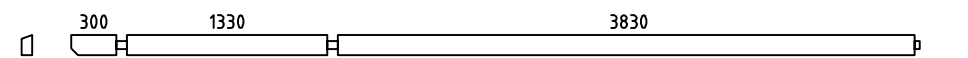
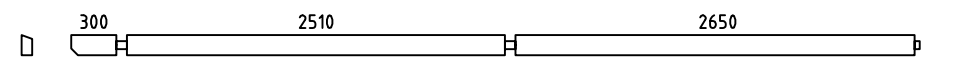

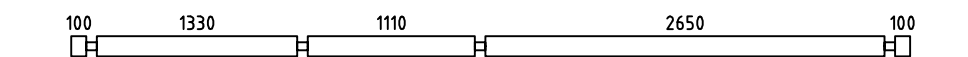


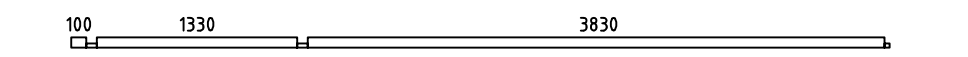
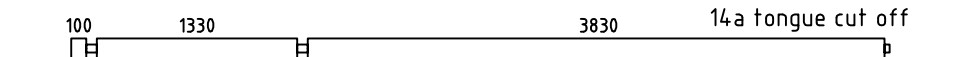
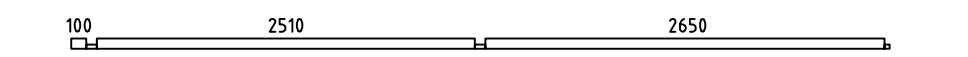

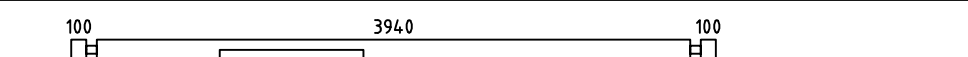
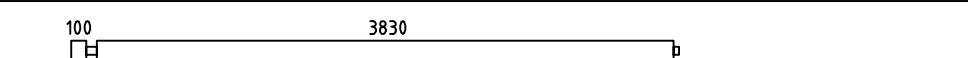
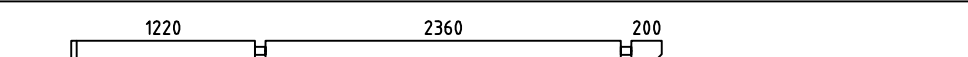
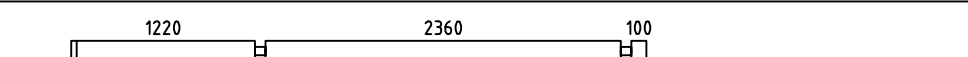


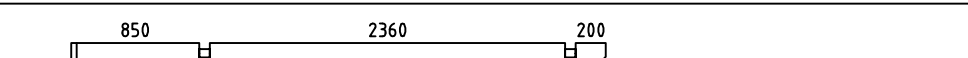
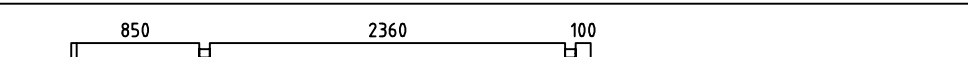
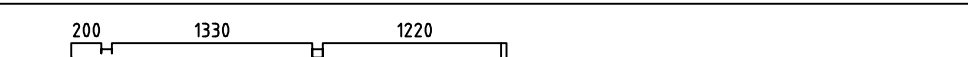
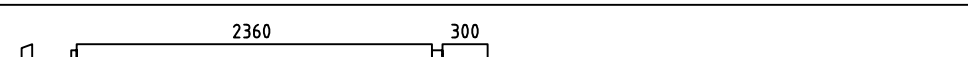
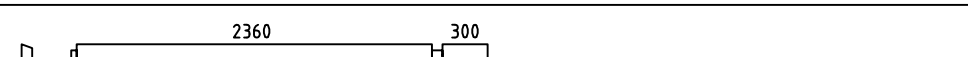



House	Kay 70 2022	Sheet	14
Drawing	SEIN 5	Scale	1:50
Material	7.0x13.5	Date	16.11.2021
Drawer	K.K.	File	Kay 70 2022.dwg



House	Kay 70 2022	Sheet	15
Drawing		Scale	1:50
Material	4,3x14,0	Date	16.11.2021
Drawer	K.K.	File	Kay 70 2022.dwg

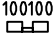
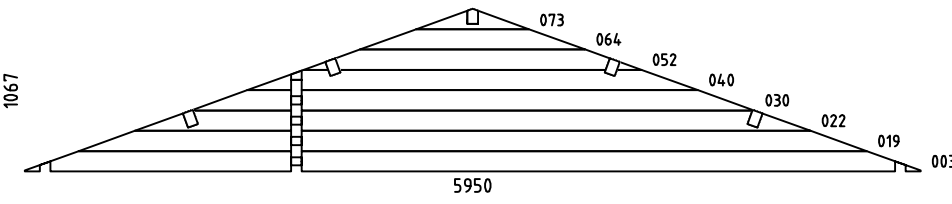
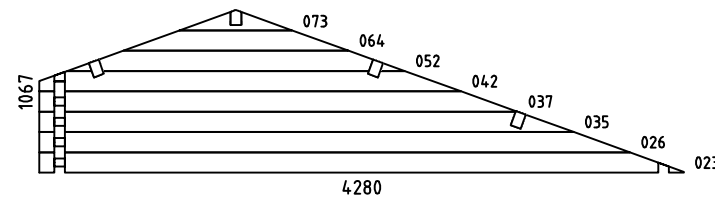
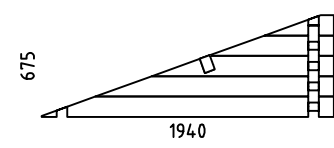
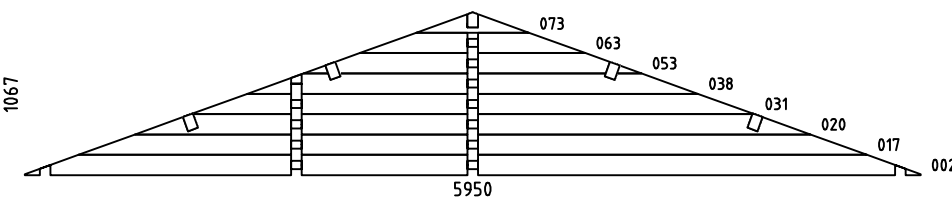
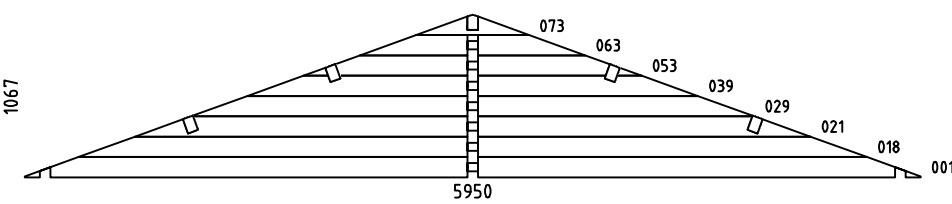




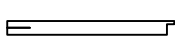
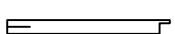
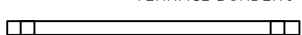
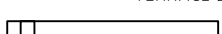
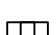
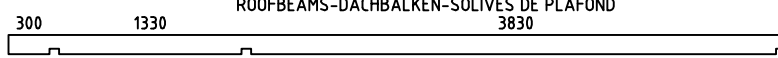
1.PAKK 604x120x78cm 2.PAKK 600x120x74cm 3.PAKK 606x120x84cm Max 1700kg

Pos	Kay 70 2022	Pcs.	Profil (mm)	L (mm)
004	 5780 SPARE BEAM-ERSATZBOHLE-MADRIER DE RESERVE	1	70x135	5950
005		7	70x135	5950
006		1	70x135	5950
007		1	70x135	5635
008		1	70x135	5635
009		1	70x63	5570
010		4	70x135	5570
011		1	70x135	5570
012		4	70x135	5435
013		1	70x68	5435
014 014a		2 1	70x135	5435
015		1	70x68	5435
016		5	70x135	5285
024		1	70x135	4280
025		3	70x135	4035
027		1	70x135	3920
028		7	70x135	3820
032		1	70x135	3700
033		4	70x135	3600
034		1	70x135	3550
036		4	70x135	3450
041		1	70x135	2890
043		1	70x135	2765
044		1	70x135	2765
045		5	70x135	2715
Kood	Kay 70 2022	Materjal	File KAY 70 2022.dwg	Leht 16

1.PAKK 604x120x78cm 2.PAKK 600x120x74cm 3.PAKK 606x120x84cm Max 1700kg

Pos	Kay 70 2022	Pcs.	Profil (mm)	L (mm)
046		1	70x68	2700
047		21	70x135	2700
048		1	70x68	2700
049		10	70x135	2565
050		2	70x68	2565
051		6	70x135	2340
054		8	70x135	2025
055		15	70x135	1965
056		15	70x135	1965
058		24	70x135	1940
059		1	70x68	1940
060		1	70x68	1700
061		14	70x135	1700
065		7	70x135	1390
067		16	70x135	1147
068		14	70x135	985
070		8	70x135	825
071		1	70x68	820
072		14	70x135	820
074		8	70x135	700
075		16	70x135	563
077		15	70x135	320
078		1	70x68	300
079		14	70x135	300
080		11	70x135	270
Kood	Kay 70 2022	Materjal	File KAY 70 2022.dwg	Leht 17

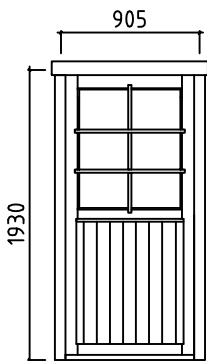
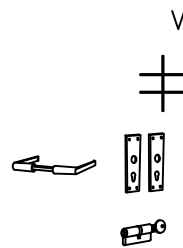
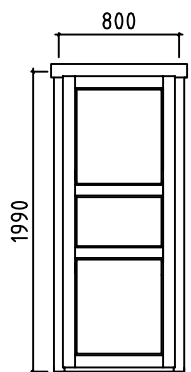
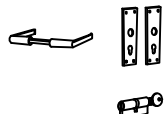
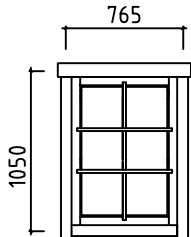
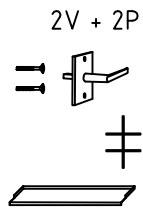
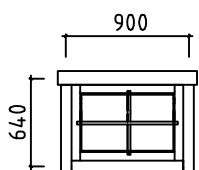
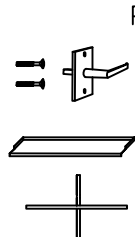
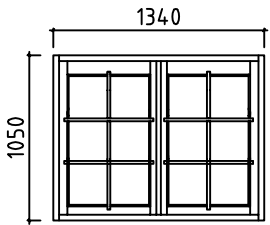
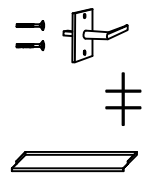
1.PAKK 604x120x78cm 2.PAKK 600x120x74cm 3.PAKK 606x120x84cm Max 1700kg

Pos	Kay 70 2022	Pcs.	Profil (mm)	L (mm)
081		1	70x68	270
W1-1		1	70x1067	5950
W2-1		1	70x1067	4280
W3-1		1	70x675	1940
W4-1		1	70x1067	5950
W5-1		1	70x1067	5950
FBI2	FLOORBEAMS-FUSSBODENBALKEN-Solives de plancher (IMPREGNATED-IMPREGNIERT-impregnés) 	18	45x70	5740
FBI4	FLOORBEAMS-FUSSBODENBALKEN-Solives de plancher (IMPREGNATED-IMPREGNIERT-impregnés) 	2	45x70	4175
FBI3	FLOORBEAMS-FUSSBODENBALKEN-Solives de plancher (IMPREGNATED-IMPREGNIERT-impregnés) 	2	45x70	1835
FBI1	FLOORBEAMS-FUSSBODENBALKEN-Solives de plancher (IMPREGNATED-IMPREGNIERT-impregnés) 	2	45x70	500
P1	POST-PFOSTEN-POTEAU 	1	90x90	1080
P2	POST-PFOSTEN-POTEAU 	1	90x90	1030
BB1	TERRACE BORDERS-TERRASSEN BEGRÄNZUNG-Plancher de terrasse 	1	18x90	1940
BB3	TERRACE BORDERS-TERRASSEN BEGRÄNZUNG-Plancher de terrasse 	1	18x90	1400
BB2	TERRACE BORDERS-TERRASSEN BEGRÄNZUNG-Plancher de terrasse 	1	18x90	270
RB3	ROOFBEAMS-DACHBALKEN-SOLIVES DE PLAFOND 	3	70x140	5635
Kood	Kay 70 2022	Materjal	File KAY 70 2022.dwg	Leht 18

1.PAKK 604x120x78cm 2.PAKK 600x120x74cm 3.PAKK 606x120x84cm Max 1700kg

Pos	Kay 70 2022		Pcs.	Profil (mm)	L (mm)
RB5		ROOFBEAMS-DACHBALKEN-SOLIVES DE PLAFOND	1	70x140	5635
RB2		ROOFBEAMS-DACHBALKEN-SOLIVES DE PLAFOND	1	70x140	5485
RB1		ROOFBEAMS-DACHBALKEN-SOLIVES DE PLAFOND	1	70x140	2915
RB4		ROOFBEAMS-DACHBALKEN-SOLIVES DE PLAFOND	3	70x140	2765
RB6		ROOFBEAMS-DACHBALKEN-SOLIVES DE PLAFOND	1	70x140	2765
	FLOORBOARDS-FUSSBODENBRETTER-PLANCHER	88mm or-oder-ou 114mm	46+1 35+1	28x88 28x114	3820
	FLOORBOARDS-FUSSBODENBRETTER-PLANCHER	88mm or-oder-ou 114mm	20 15	28x88 28x114	2640
	FLOORBOARDS-FUSSBODENBRETTER-PLANCHER	88mm or-oder-ou 114mm	20 14	28x88 28x114	2500
	FLOORBOARDS-FUSSBODENBRETTER-PLANCHER	88mm or-oder-ou 114mm	65 50	28x88 28x114	2350
	TERRACE BORDERS-TERRASSEN BEGRÄNZUNG-Plancher de terrasse (IMPREGNATED-IMPREGNIERT-imprégnés)	IMM	19+1	120x28	1400
	TERRACE BORDERS-TERRASSEN BEGRÄNZUNG-Plancher de terrasse (IMPREGNATED-IMPREGNIERT-imprégnés)	IMM	14	120x28	1330
	ROOFBOARD/DACHBRETTER/KATTOLAUTA	88mm or-tai-eller 114mm	192+1 148+1	28x88 28x114	3270
	SKIRTING SLAT-FUSSBODENLEISTE-BAGUETTE			18x35	49.0
GB	GABLE BOARD-GIEBELBLENDE-PLANCHE DE RIVE		4	18x120	3350
EB	EAVE BOARD-TRAUFBRETT-LATTES SOUS VOLIGES		4	18x90	4200
ES	EAVE SLAT-TRAUFLANKE- Baguettes pour fixer les lattes sous voliges		4	30x40	4200
RFF	ROOF FELT FILLET-GIEBELLEISTE- Baguettes pour fixer les planches de rive		4	18x70	3300
D	DIAMOND-RAUTE-ELEMENT DE DECORATION		2	18x90	200
TIL-1 TIL-2 TIL-3	DOOR ASSEMBLING PROFILE-TÜR INSTALLIERUNGSPROFIL -Tasseau de fixation pour portes		2 2 4	43x70	1860 1930 1990
FIL-1 FIL-2	WINDOW ASSEMBLING PROFILE-FENSTER INSTALLIERUNGSPROFIL -Tasseau de fixation pour fenêtres		10 2	43x70	1050 620
	REGULATING BOLT-REGULIERUNGSBOLZEN-Elément de fixation pour poteau		2		
	STEEL CORNER-METALLVINKEL-Equerre de renfort	FOR FLOORBEAMS FÜR FUSSBODENBALKEN Solives de plancher	4	40x40	
DBM	ROOFBEAMS CONNECTING METAL-DACHBALKEN BEFESTIGUNGSMETALLE- Connecteur métallique pour solives de plafond		5		
WBM	WALL FIXING PLATE-WANDBOHLNEN BEFESTIGUNGSMETALLE- PATTE D'ASSEMBLAGE		16	50	50
	SCREW-SCHRAUBEN-VIS	DECORATIV, ROOF FELT FILLET LISTOILLE, KULMARAUDOILLE STEEL CORNER, SKIRTING SLAT	80	3,5x35	
Kood	Kay 70 2022	Materjal	File	KAY 70 2022.dwg	Leht 19

1.PAKK 604x120x78cm 2.PAKK 600x120x74cm 3.PAKK 606x120x84cm Max 1700kg

Pos	Kay 70 2022	Pcs.	Profil (mm)	L (mm)		
	<p>Door-Tür-Porte 905x1930 1 pcs-st-unt (left-links-Gauche)</p>  <p>Ast_ISO_VU</p>	<p>V</p>  <p>1 1 1 1</p>	905	1930		
	<p>Door-Tür-Porte 800x1990 (2 left-links-Gauche) (1 right-rechts-Droit)</p>  <p>Ast_SU</p>	<p>2V + 1P</p>  <p>3 3 3</p>	800	1990		
	<p>WINDOW-FENSTER-Fenêtre 765x1050 4 pcs-st-unt (2 right-rechts-Droit) (2 left-links-Gauche)</p>  <p>AST_ISO_KP</p>	<p>2V + 2P</p>  <p>4 4 4 4</p>	765	1050		
	<p>WINDOW-FENSTER-Fenêtre 900x640 1 pcs-st-unt (right-rechts-Droit)</p>  <p>AST_ISO_KP</p>	<p>P</p>  <p>1 1 1 1</p>	900	640		
	<p>WINDOW-FENSTER-Fenêtre 1340x1050 - 1 pcs-st-unt</p>  <p>AST_ISO_KP</p>	 <p>1 2 2 1</p>	1340	1050		
Kood	Kay 70 2022	Materjal	File	KAY 70 2022.dwg	Leht	20