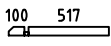
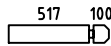
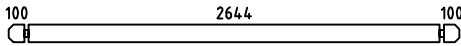
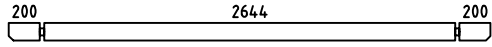
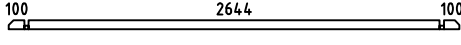
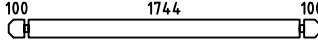
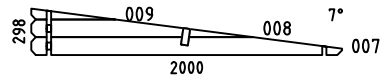
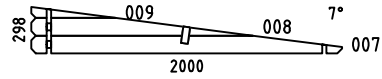
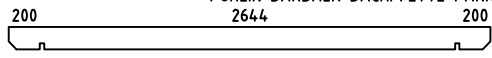
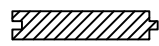
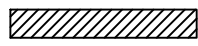
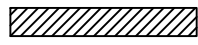

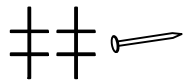
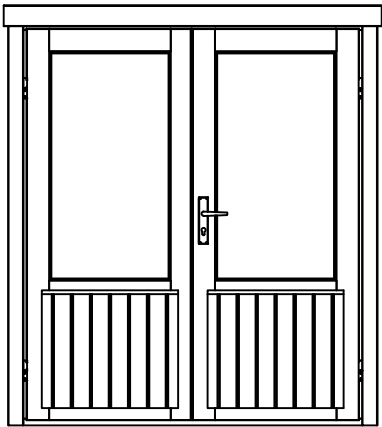
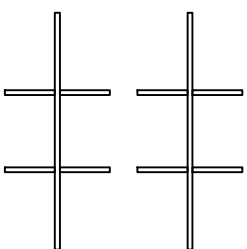
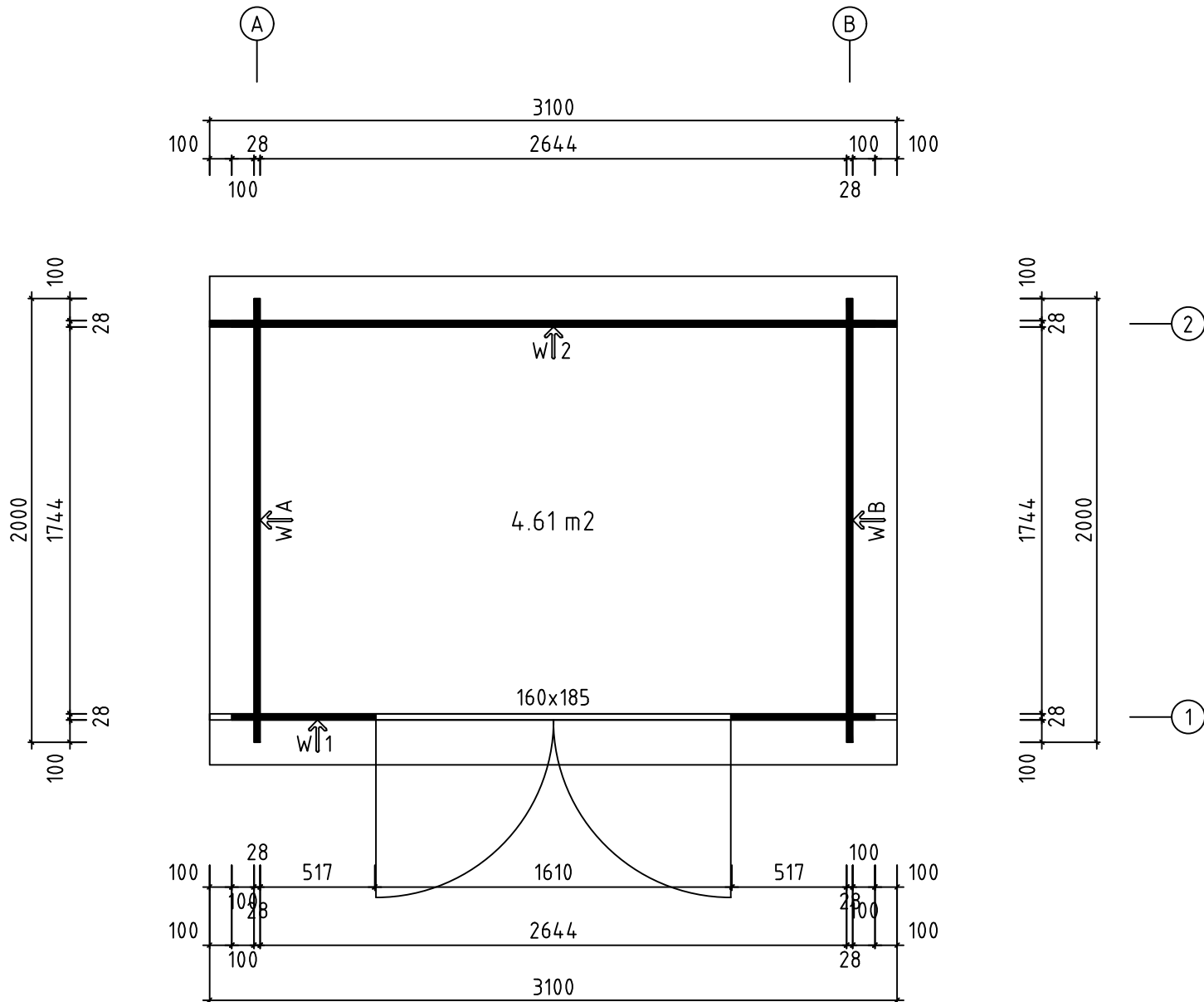


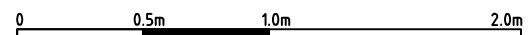
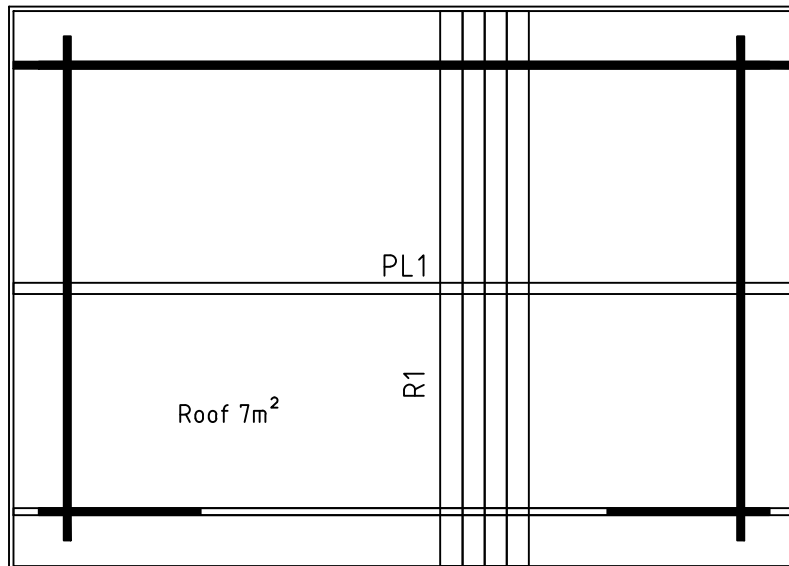
Kris28

Pos	Specification-Spezifikation-Specificatie-Nomenclature-Elementi-Especificacion Kris28	Qty	Profile (mm)	Lenght (mm)
001		2	28x57	645
002		32	28x114	645
003		16	28x114	2900
004		2	28x114	3100
005		1	28x57	2900
006		32	28x114	2000
WA-1		1		
WB-1		1		
PL1	 PURLIN-DAKBALK-DACHPFETTE-PANNE-ARCARECCIO-CORREA	1	44x14.4	3100
R-1	Roof board-Dachbrett-Dakplank-Volige-Tavola tetto-Tabla de tejado 	36+1	88x18	2220
GB-1	Gable board 120-Giebelblende-Gevelplank-Planche de rive-Tavola di bordo-Tabla de borde 	2	18x120	2240
GB-1	Gable board 120-Giebelblende-Gevelplank-Planche de rive-Tavola di bordo-Tabla de borde 	2	18x120	3120
	Double door kit-Doppeltür satz-Dubbele deur set-Kit double porte-Kit porta-Kit para puerta 	1		
	Nail 1.6x30-Nagel-Spijker-Clou-Chiodo-Clavo 	15	1.6x30	
	DOOR 1600x1850 DD06-6 F 1600x1850-28 	1		
				
Model	Kris28	Material	Page	1/1

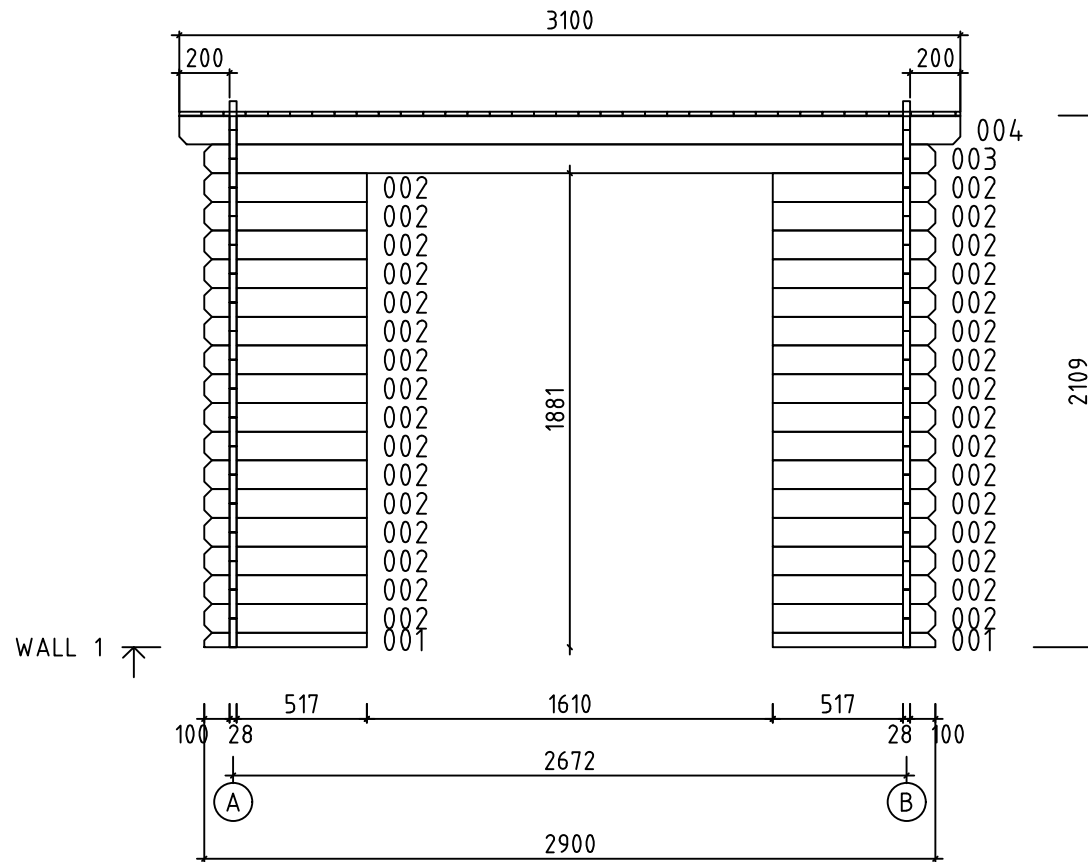
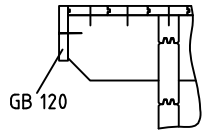
H = 1.800 m
 TOTAL: 4.61 m²



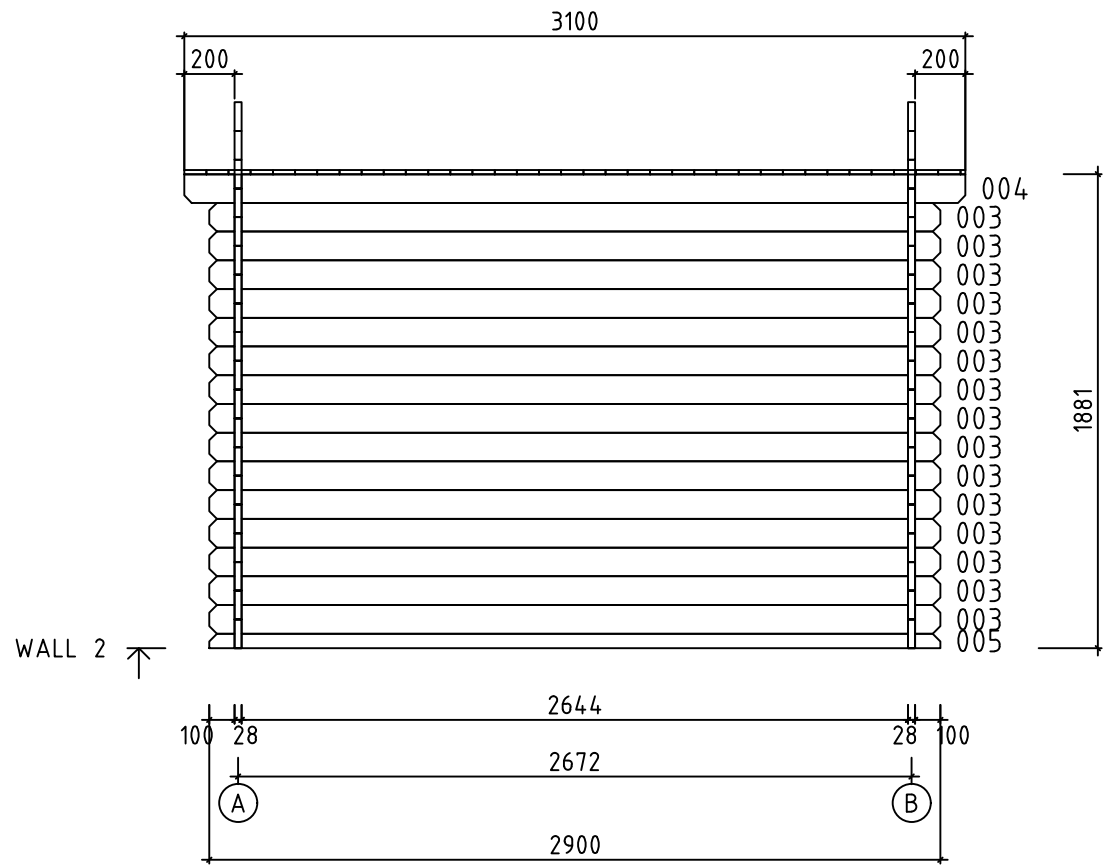
Model	Kris28	Page
Drawing	PLAN	Scale 1:30
Material	28x114	Date 15.11.2022
File	Kris28	Drawn by



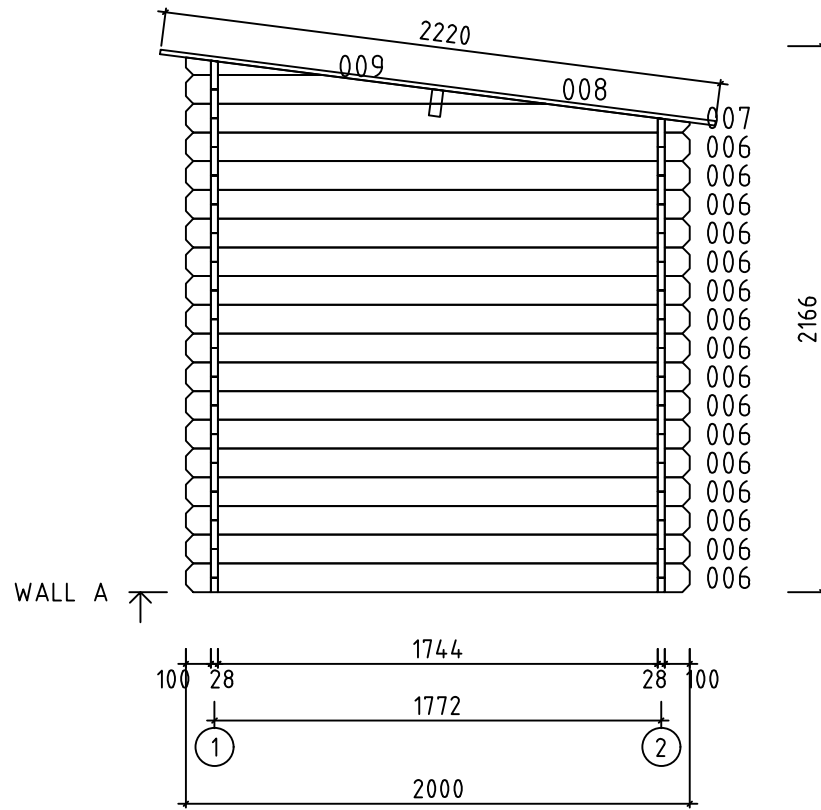
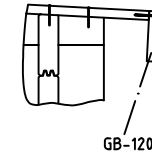
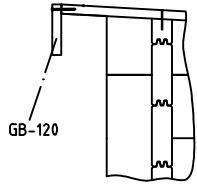
Model	Kris28	Page
Drawing	ROOF	Scale 1:30
Material	28x114	Date 15.11.2022
File	Kris28	Drawn by



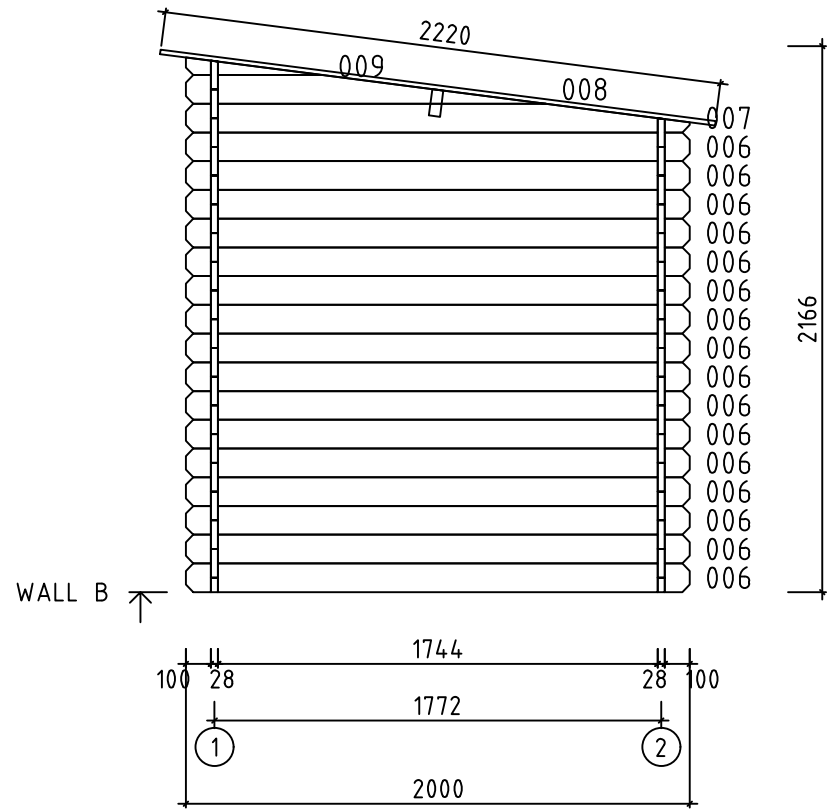
Model	Kris28	Page	4
Drawing	WALL 1	Scale	1:30
Material	2.8x11.4	Date	15.11.2022
File	Kris28	Drawn by	



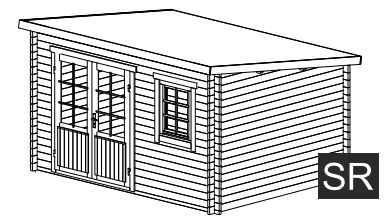
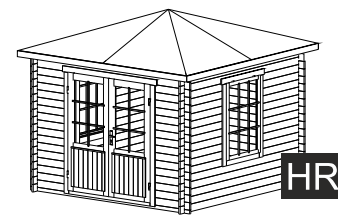
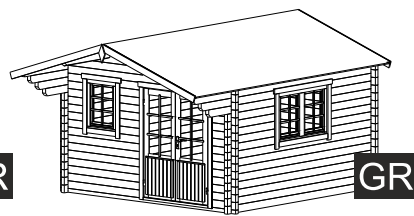
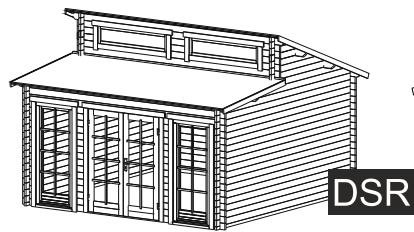
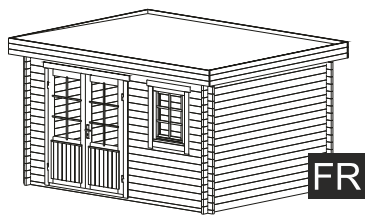
Model	Kris28	Page	5
Drawing	WALL 2	Scale	1:30
Material	2.8x11.4	Date	15.11.2022
File	Kris28	Drawn by	



Model	Kris28	Page	2
Drawing	WALL A	Scale	1:30
Material	2.8x11.4	Date	15.11.2022
File	Kris28	Drawn by	



Model	Kris28	Page	3
Drawing	WALL B	Scale	1:30
Material	2.8x11.4	Date	15.11.2022
File	Kris28	Drawn by	



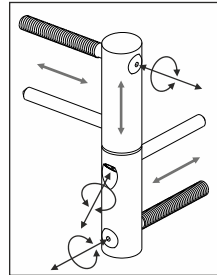
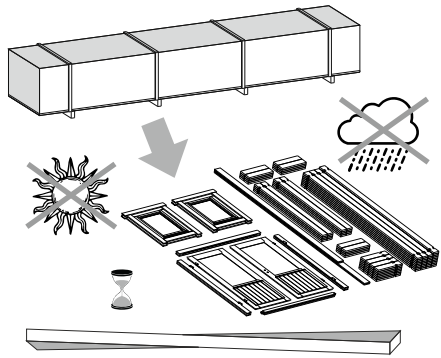
FR

DSR

GR

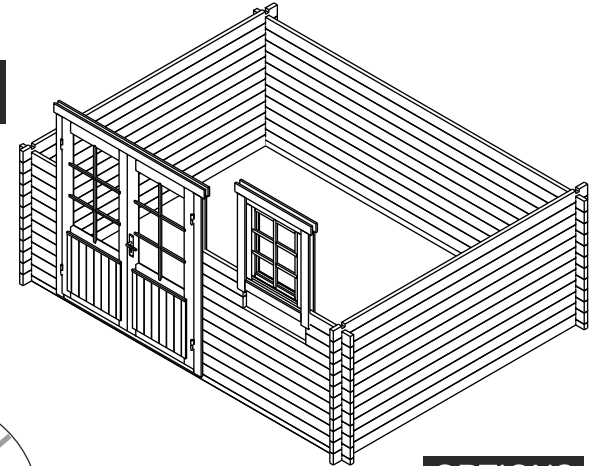
HR

SR

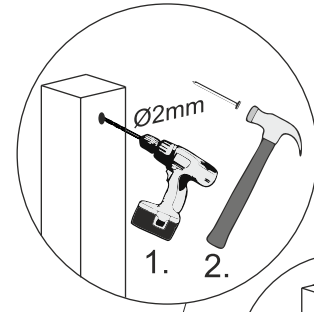
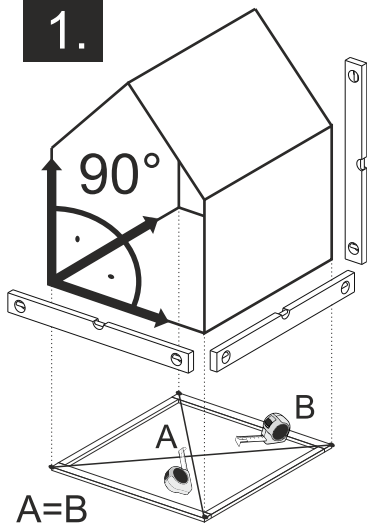


ADJUSTABLE HINGES

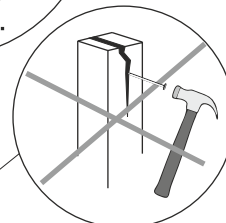
3.



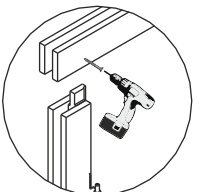
1.



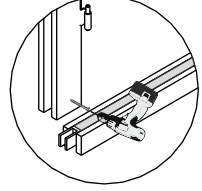
1. 2.



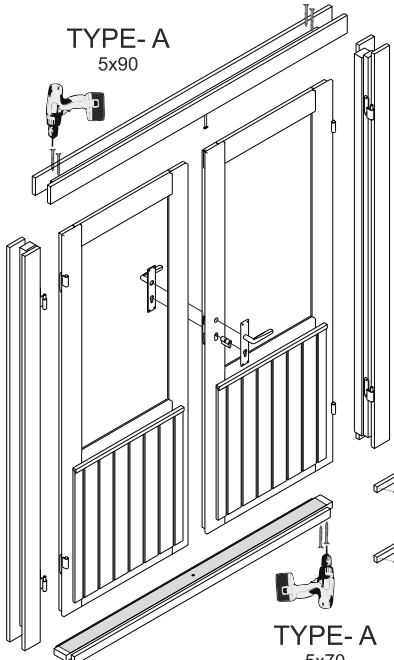
OPTIONS



TYPE- B
4x60

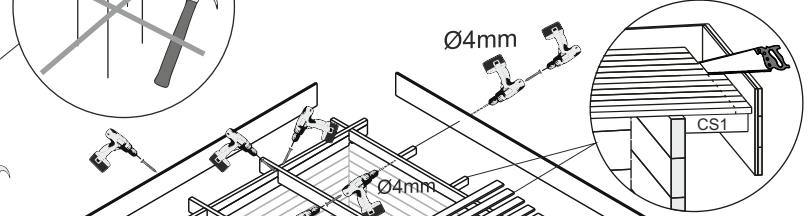


OPTIONS



NB!

TYPE- A
5x70



Ø4mm

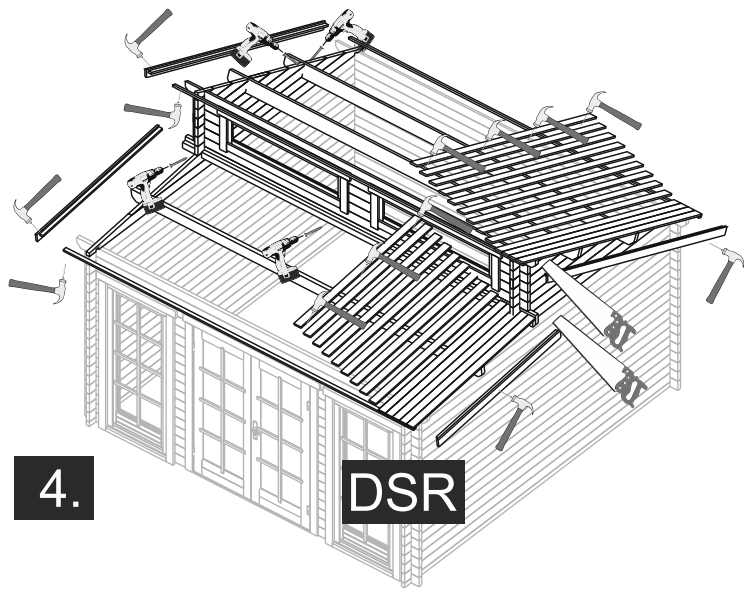
Ø4mm

CS1

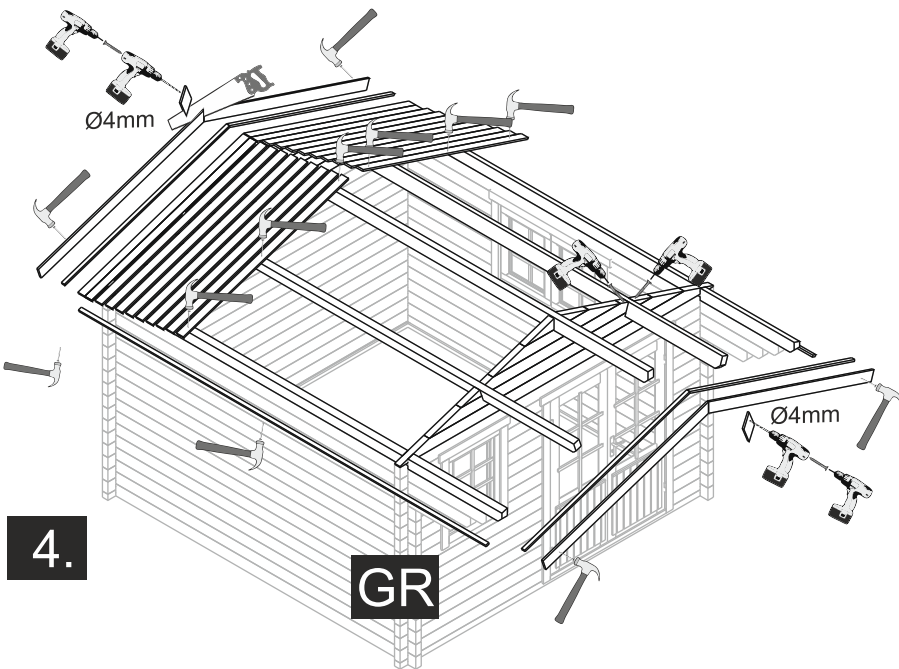
4.

FR

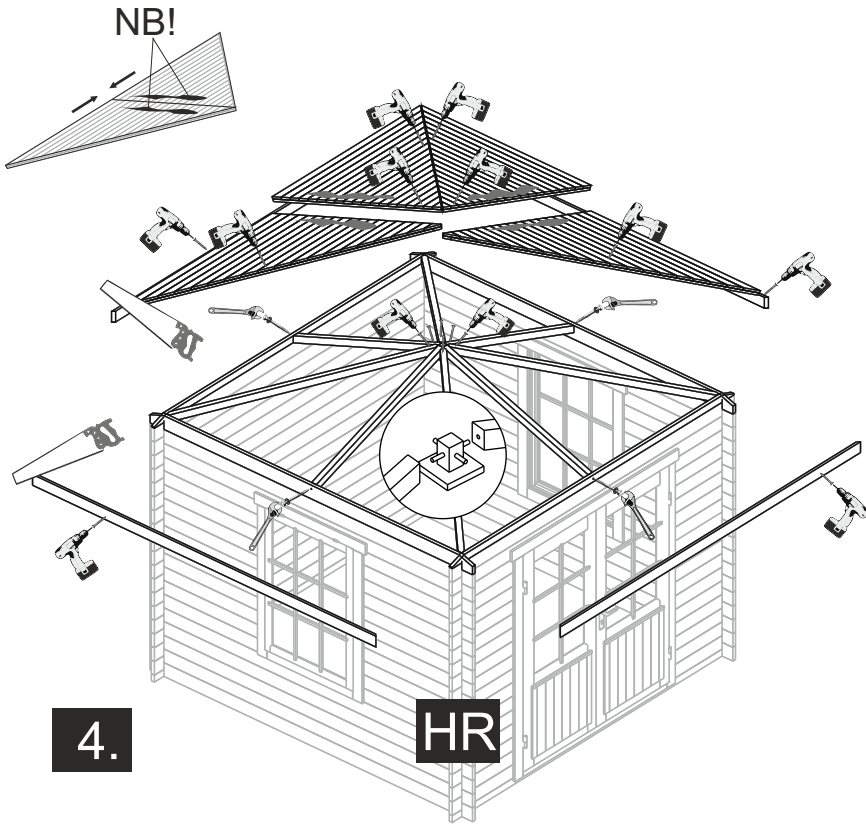
The guide is illustrative. This guide is not project specification.
Der Leitfaden ist illustrativ. Dieser Leitfaden ist keine Projektspezifikation.
De gids is illustratief. Deze gids is geen projectspecificatie.



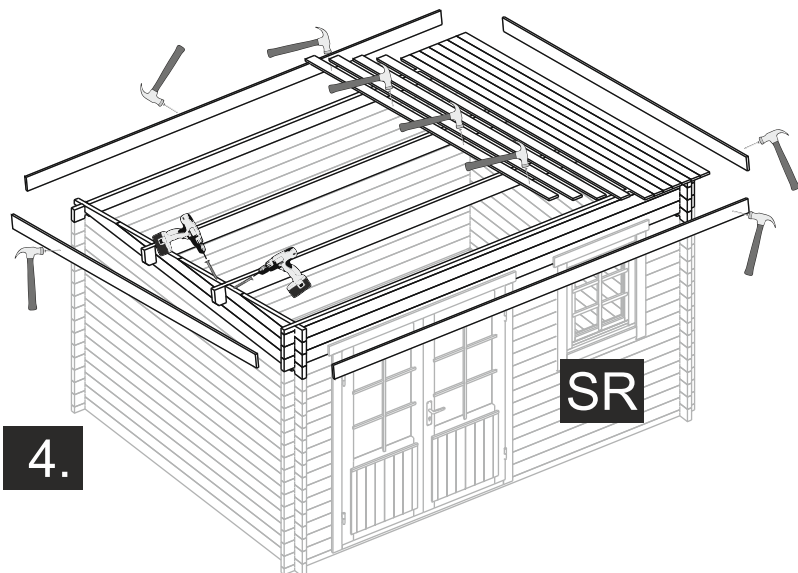
DSR



GR



HR



SR

OPTIONS

