

Always keep the package number saved! Without package number their is no guarantee.:

Package number:

WALL LOG (mm): 58

BUILDING CODE

Lennart

SIZE (mm): 3000x3000

COMPONENT SPECIFICATION

NUMBER	COMPONENT FUNCTION	COMPONENT CODE	VIEW	SIDE VIEW	DIMENSIONS (mm)			QUANTITY (psc.)
					LENGHT	WIDTH	THICKNESS	
1	Wall board	A2			690	115	58	16
2	Wall board	A3			690	115	58	16
3	Wall board	A4			3000	115	58	1
4	Wall board	B2			3000	115	58	17
5	Wall board	C1,D1			3000	115	58	23
6	Wall board	D2			3000	115	58	1
7	Wall board	D3,D4			870	115	58	16
8	Wall board	C3, D6			3900	115	58	2
9	Wall board	C2, D5			3400	115	58	2
10	Wall board							
11	Wall board							
12	Wall board							
13	Wall board	A1, B1			3000	55	58	2
14	Apex	A5 B3			3000		58	2
15	Door	DL-7			1880	1590		1
16	Window				966	1240		1
17								
18	Roof board				1620	110	19	72
19	Fascia board				1670	120	16	4
20	Roof cover fixture				1670	40/50	16	4
21	Roof cover fixture				3900	40/50	16	2
22	Beam				3900	120	40	3
23	Diamond							2

PACKAGE NR.:

MNFCT. ORDER NR.:

CONTROL 1

CONTROL 2

SIGNATURE

SIGNATURE

PAGE/PAGES:

1/6

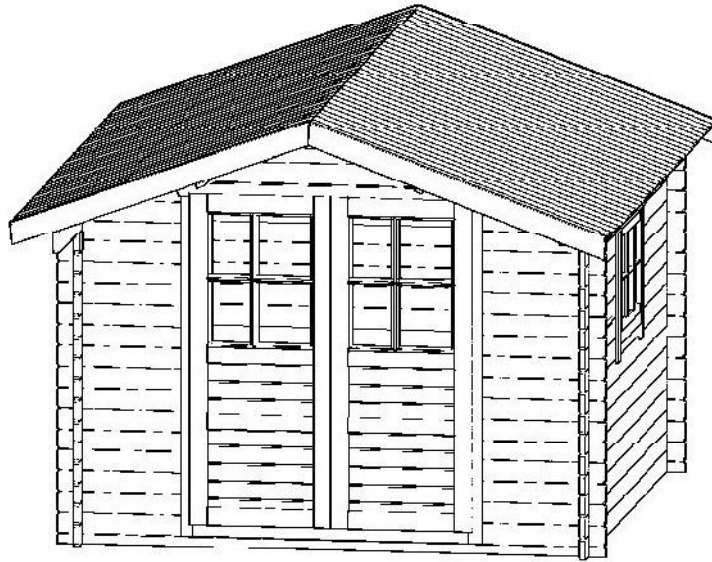
BUILDING CODE

Lennart

WALL LOG (mm): 58

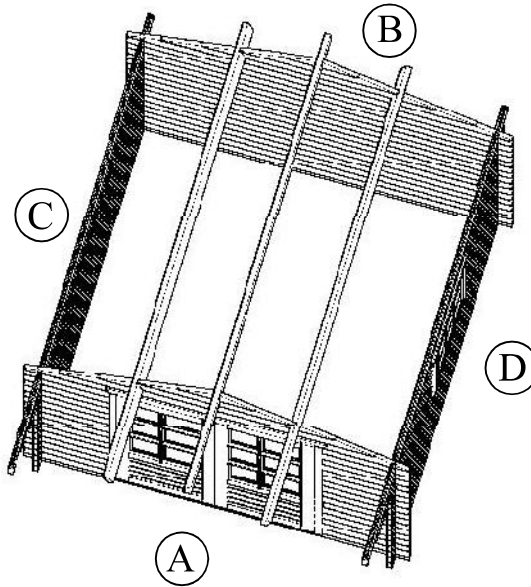
SIZE (mm): 3000x3000

ISOMETRIC VIEW



TOP VIEW

A-FRONT
B-BACK
C-LEFT
D-RIGHT



PACKAGE NR.:

MNFCT. ORDER NR.:

CONTROL 1
SIGNATURE

CONTROL 2
SIGNATURE

PAGE/PAGES: **2/6**

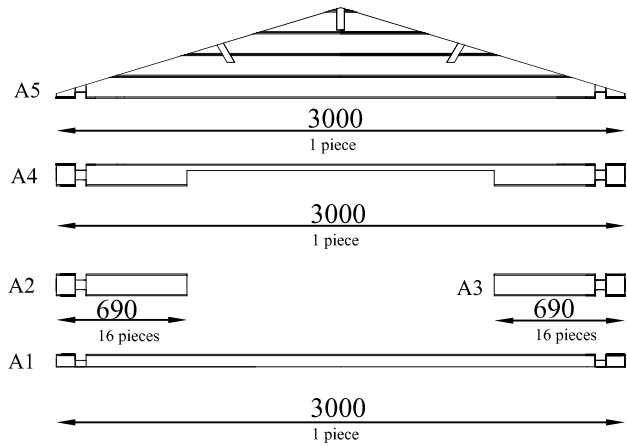
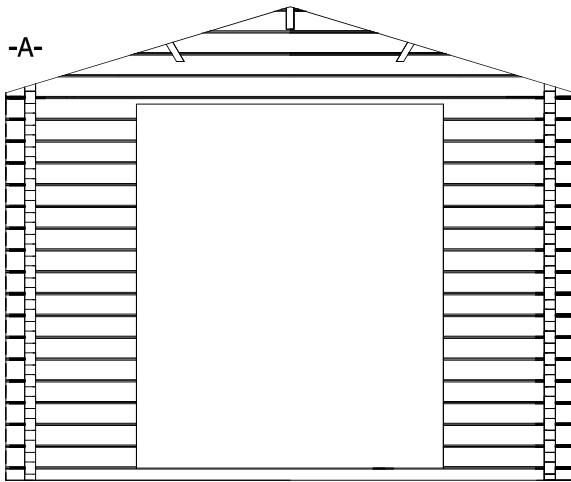
BUILDING CODE

Lennart

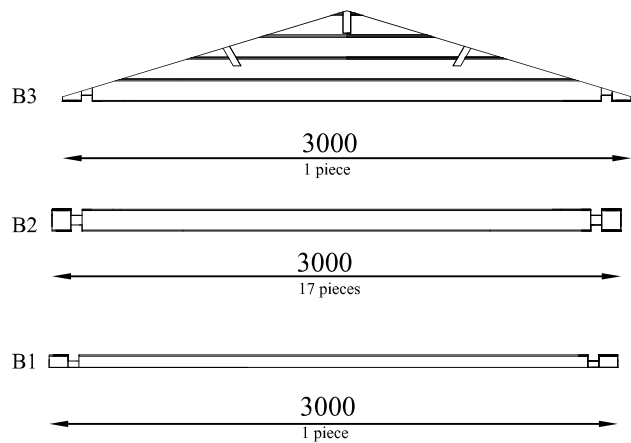
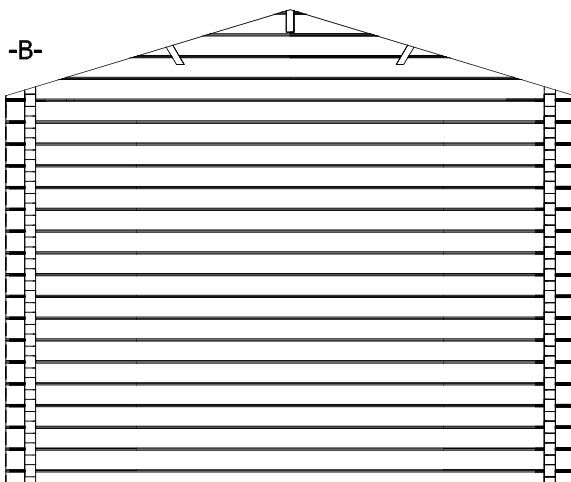
WALL LOG (mm): 58

SIZE (mm): 3000x3000

FRONT VIEW



BACK VIEW



PACKAGE NR.:

MNFACT. ORDER NR.:

CONTROL 1

CONTROL 2

SIGNATURE

SIGNATURE

PAGE/PAGES:

3/6

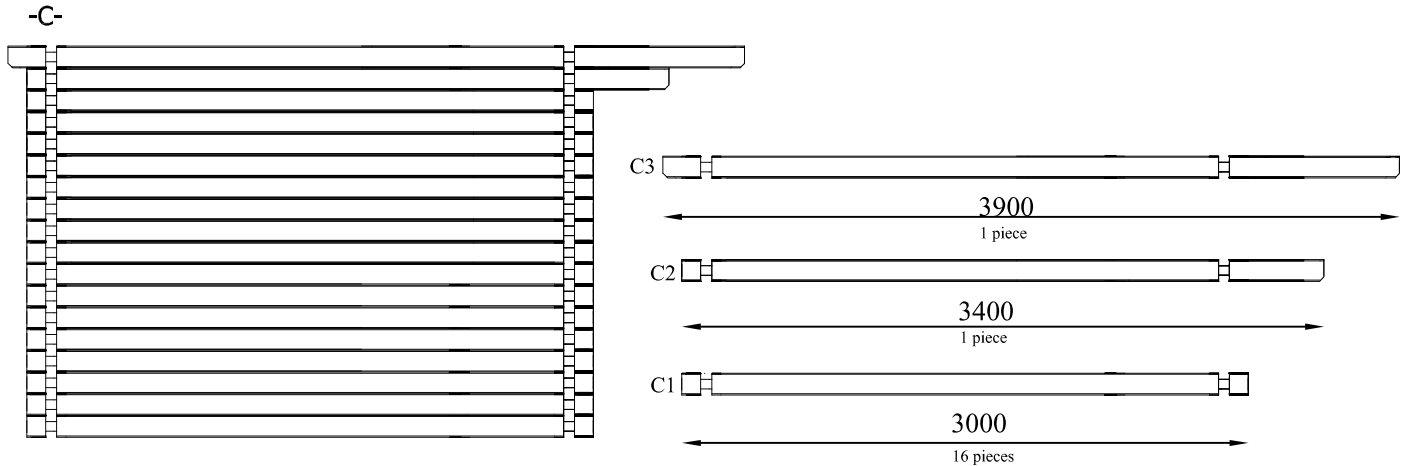
BUILDING CODE

Lennart

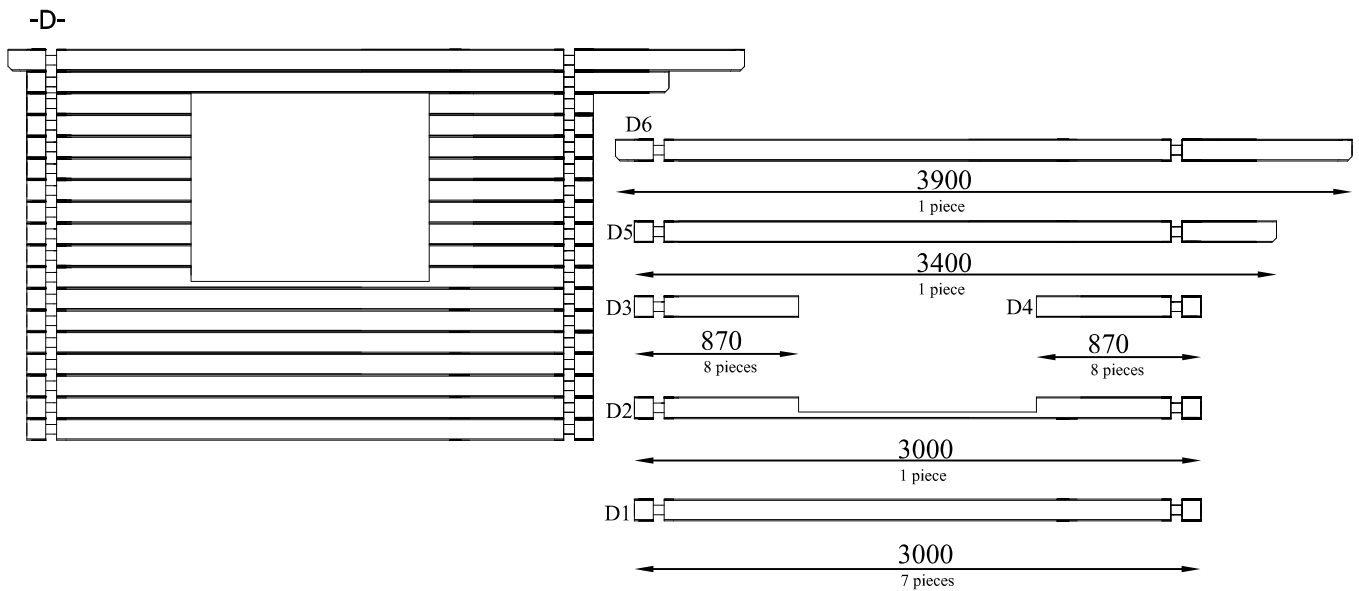
WALL LOG (mm): 58

SIZE (mm): 3000x3000

LEFT VIEW



RIGHT VIEW



PACKAGE NR.:

MNFCT. ORDER NR.:

CONTROL 1

CONTROL 2

PAGE/PAGES:

4/6

SIGNATURE

SIGNATURE

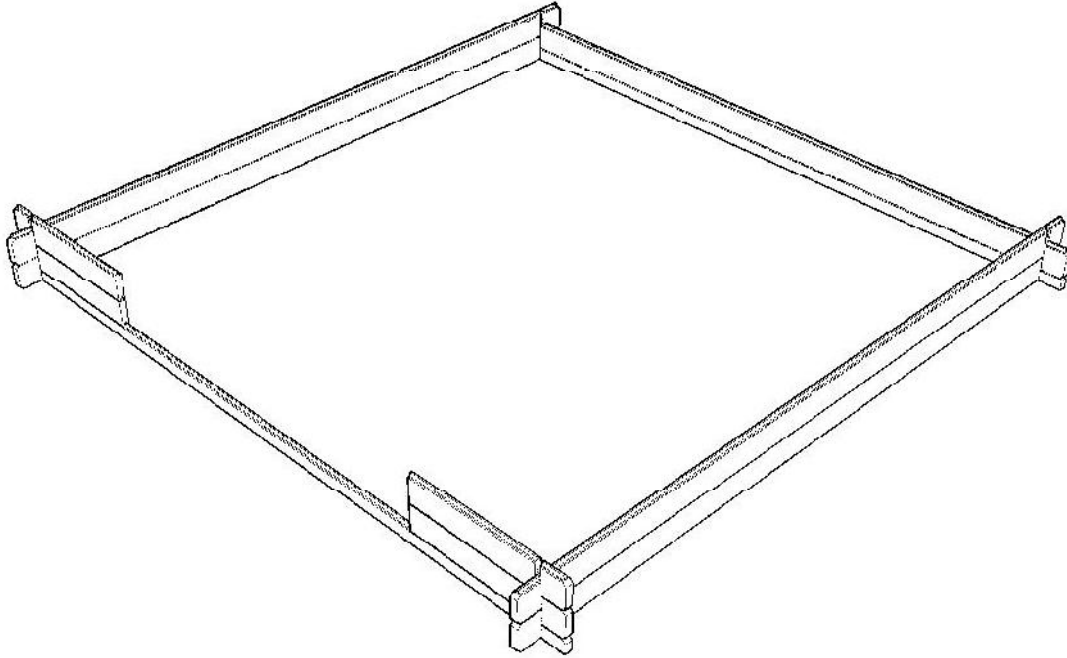
BUILDING CODE

Lennart

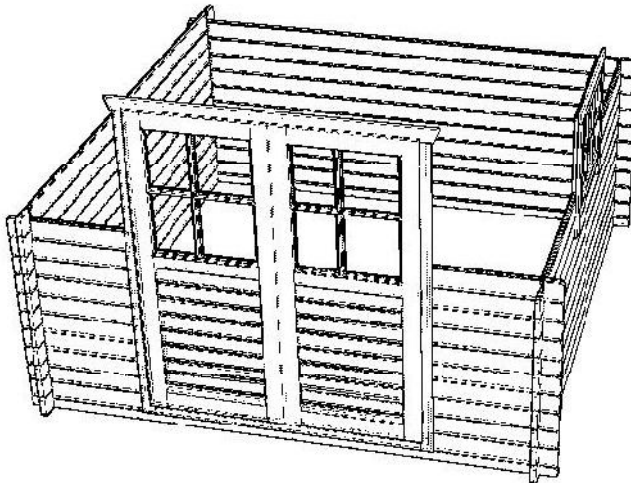
WALL LOG (mm): 58

SIZE (mm): 3000x3000

CONSTRUCCION 1



CONSTRUCCION 2



PACKAGE NR.:

MNFCT. ORDER NR.:

CONTROL 1

SIGNATURE

CONTROL 2

SIGNATURE

PAGE/PAGES: **5/6**

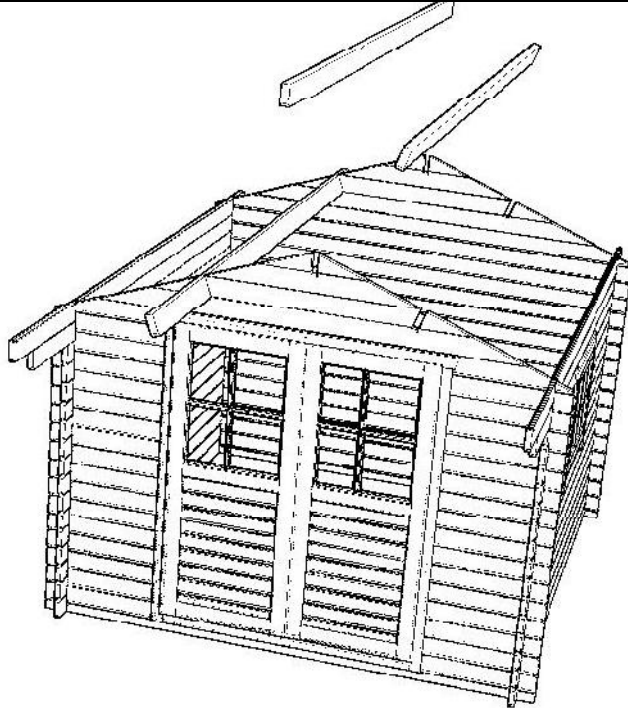
BUILDING CODE

Lennart

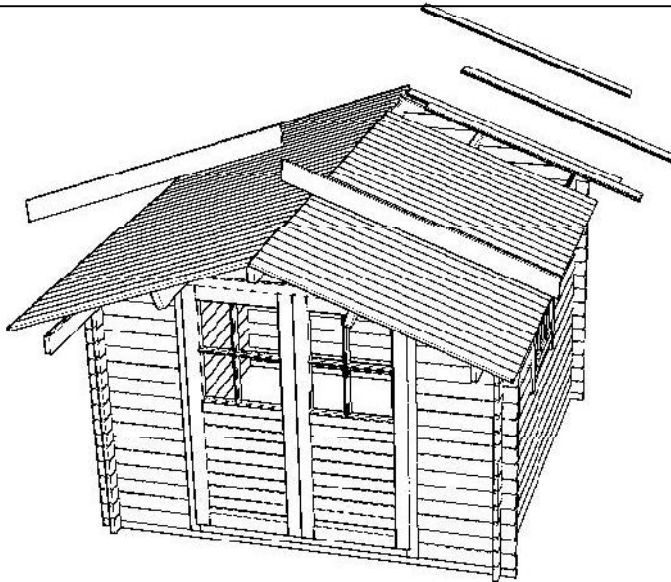
WALL LOG (mm): 58

SIZE (mm): 3000x3000

CONSTRUCCION 3



CONSTRUCCION 4



PACKAGE NR.:

MNFCT. ORDER NR.:

CONTROL 1

CONTROL 2

SIGNATURE

SIGNATURE

PAGE/PAGES: **6/6**