

| | |
|---------------------------------|----------------------|
| BUILDING CODE Minimodern | WALL LOG (mm): 28 |
| | SIZE (mm): 3000x2000 |

COMPONENT SPECIFICATION

| NUMBER | COMPONENT FUNCTION | COMPONENT CODE | VIEW | SIDE VIEW | DIMENSIONS (mm) | | | QUANTITY (psc.) |
|--------|--------------------|----------------|------|-----------|-----------------|-------|-----------|-----------------|
| | | | | | LENGHT | WIDTH | THICKNESS | |
| 1 | Wall board | A3,A4 | | | 695 | 115 | 28 | 32 |
| 2 | Wall board | A5,B2 | | | 3000 | 115 | 28 | 18 |
| 3 | Wall board | C1,D1 | | | 2000 | 115 | 28 | 36 |
| 4 | Wall board | A6 | | | 3200 | 115 | 28 | 1 |
| 5 | Wall board | A7 | | | 3200 | 115 | 28 | 1 |
| 6 | Wall board | B3 | | | 3200 | 115 | 28 | 1 |
| 7 | Wall board | | | | | | | |
| 8 | Wall board | | | | | | | |
| 9 | Wall board | A9 | | | 150 | 42 | 28 | 1/1 |
| 10 | Wall board | A10 | | | 2844 | 42 | 28 | 1 |
| 11 | Wall board | A1,A2 | | | 695 | 55 | 28 | 1/1 |
| 12 | Wall board | B1 | | | 3000 | 55 | 28 | 1 |
| 13 | Beam | | | | 3200 | 120 | 40 | 1 |
| 14 | Roof board | | | | 2195 | 135 | 19 | 24 |
| 15 | Window | | | | | | | |
| 16 | Door D-1 | | | | 1880 | 1590 | | 1 |
| 17 | Fascia board | | | | 3200 | 38/50 | 16 | 2 |
| 18 | Fascia board | | | | 2200 | 38/50 | 16 | 2 |
| 19 | Apex | C2,D2 | | | 2200 | 115 | 28 | 2 |
| 20 | Roof | A8,B4 | | | 3238 | 255 | 19 | 2 |
| 21 | Roof | C3,D3 | | | 2200 | 255 | 19 | 2 |
| 22 | | | | | | | | |
| 23 | | | | | | | | |
| 24 | | | | | | | | |
| 25 | | | | | | | | |

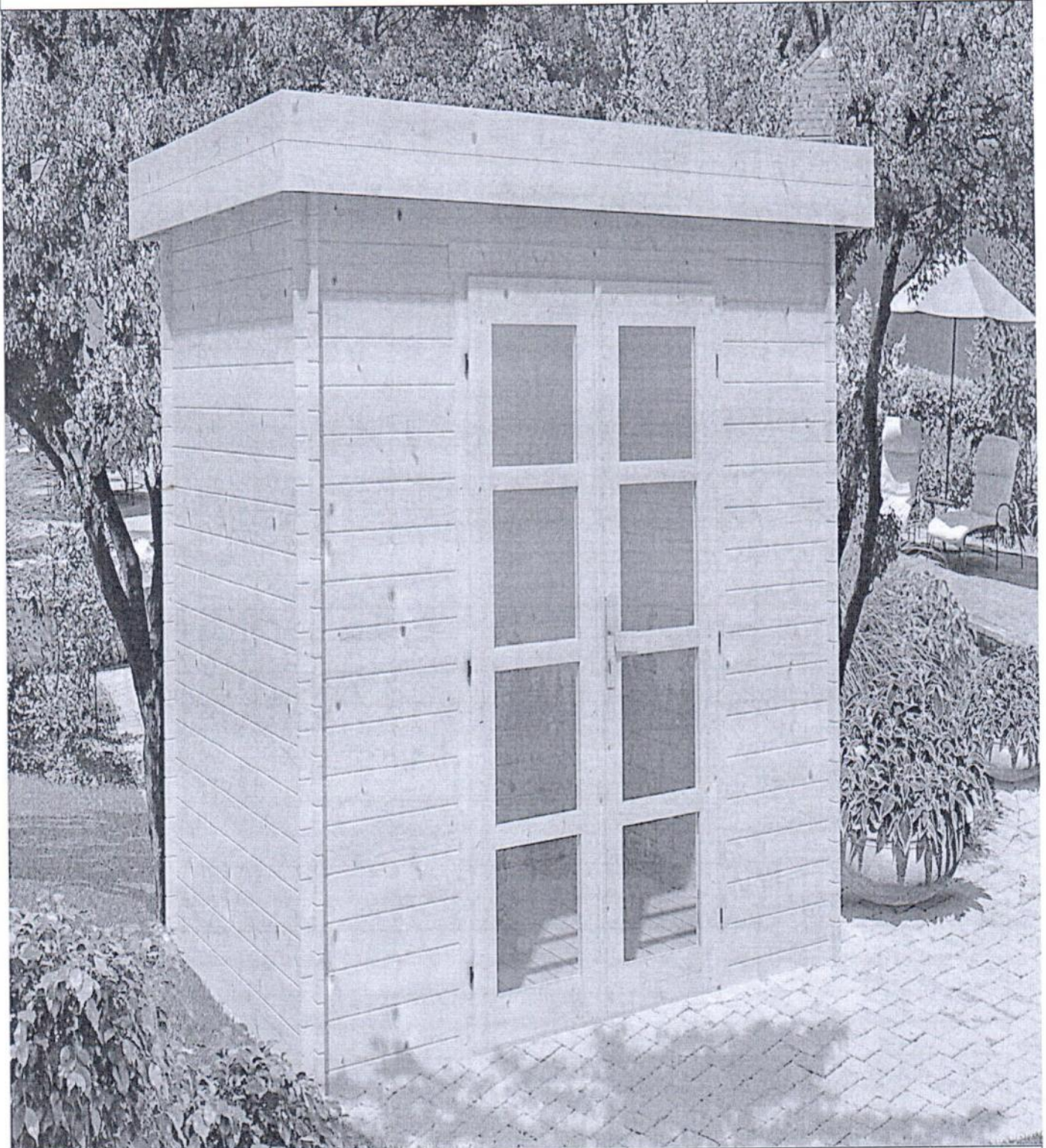
| | | |
|------------------------|------------------------|------------------------|
| PACKAGE NR.: | MNFCT. ORDER NR.: | PAGE/PAGES: 1/5 |
| CONTROL 1 SIGNATURE | CONTROL 2 SIGNATURE | |

BUILDING CODE **Minimodern**

WALL LOG (mm): 28

SIZE (mm): 3000x2000

ISOMETRIC VIEW



PACKAGE NR.:

MNFCT. ORDER NR.:

CONTROL 1

CONTROL 2

PAGE/PAGES: **2/5**

SIGNATURE

SIGNATURE

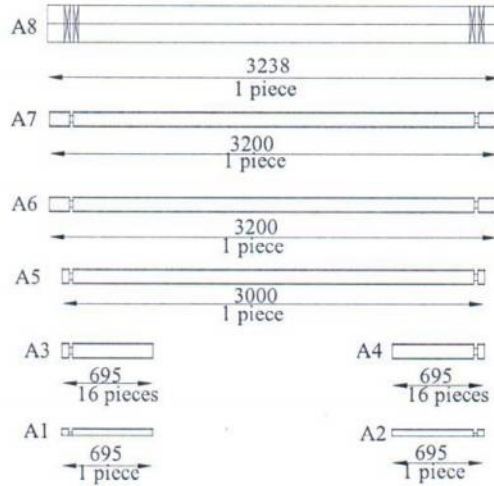
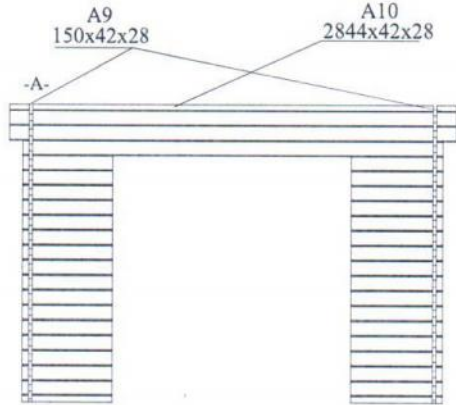
BUILDING CODE

Minimodern

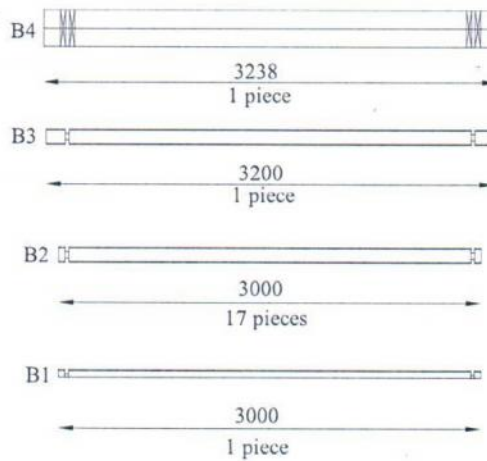
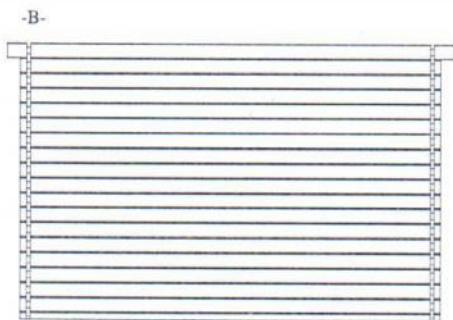
Wall log (mm):28

Size (mm):3000x2000

FRONT VIEW



BACK VIEW



PACKAGE NR.:

MNFCT.ORDER NR

CONTROL 1

CONTROL 2

PAGE/PAGES: 3/5

SIGNATURE

SIGNATURE

BUILDING CODE

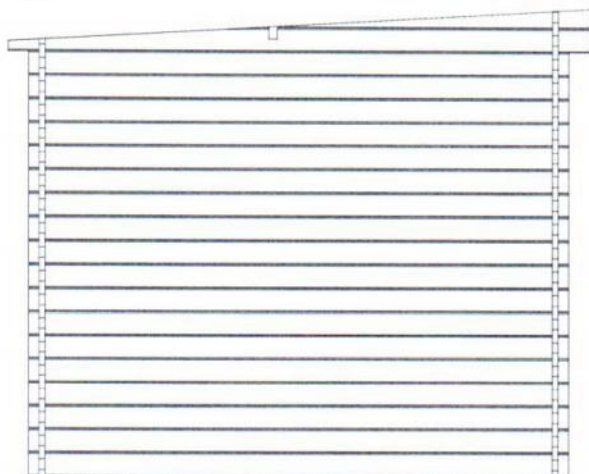
Minimodern

Wall log (mm):28

Size (mm):3000x2000

LEFT VIEW

-C-



2200

1 piece



2200

1 piece

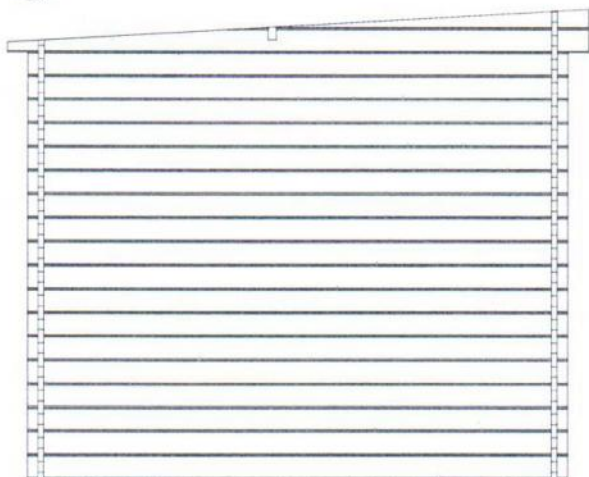


2000

18 pieces

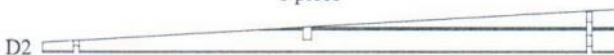
RIGHT VIEW

-D-



2200

1 piece



2200

1 piece



2000

18 pieces

PACKAGE NR.:

MNFCT.ORDER NR

CONTROL 1

CONTROL 2

SIGNATURE

SIGNATURE

PAGE/PAGES: **4/5**

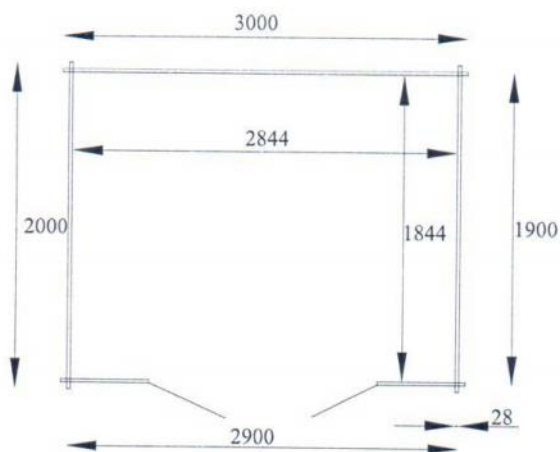
BUILDING CODE

Minimodern

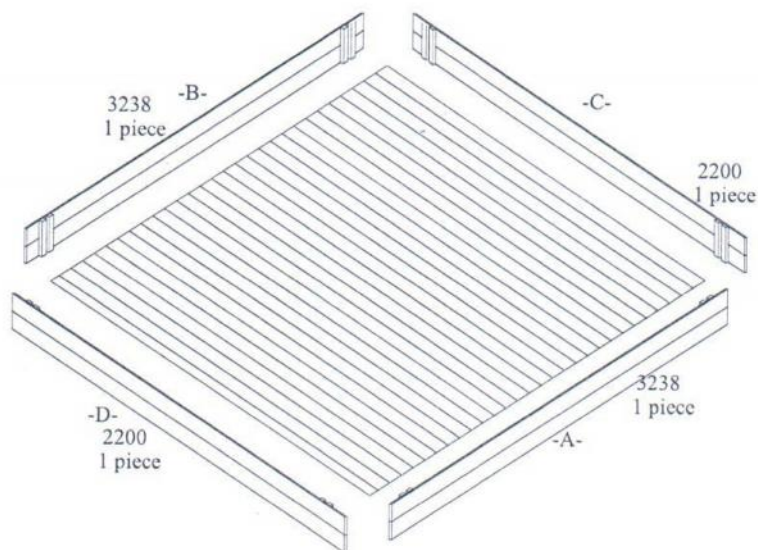
Wall log (mm):28

Size (mm):3000x2000

FLOOR PLAN



ROOF PLAN



PACKAGE NR.:

MNFCT.ORDER NR

CONTROL 1

SIGNATURE

CONTROL 2

SIGNATURE

PAGE/PAGES: **5/5**