

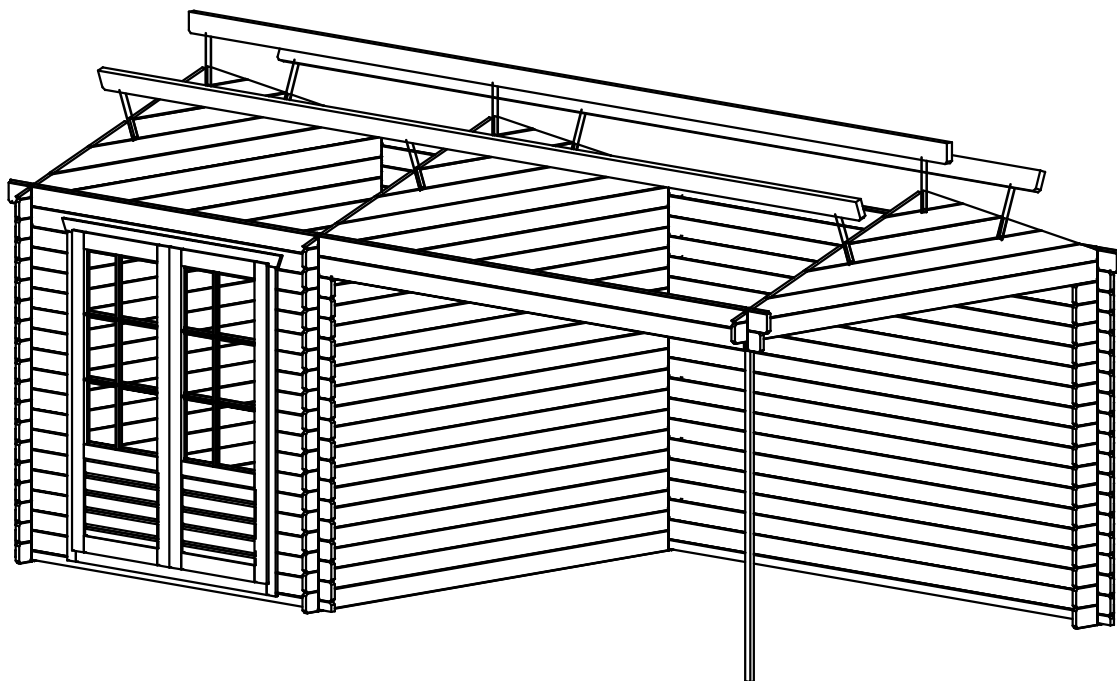
BUILDING CODE

OVE

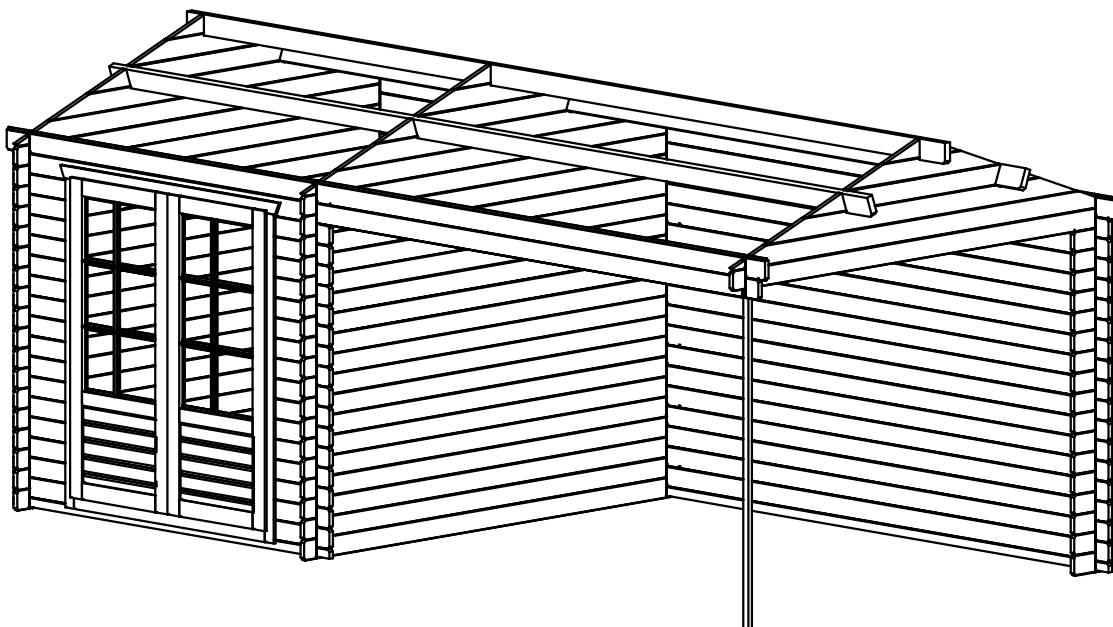
WALL LOG (mm): 28

SIZE (mm): 5895x3000

CONSTRUCCION 3



CONSTRUCCION 4



PACKAGE NR.:

MNFCT. ORDER NR.:

CONTROL 1

CONTROL 2

SIGNATURE

SIGNATURE

PAGE/PAGES:

6/6

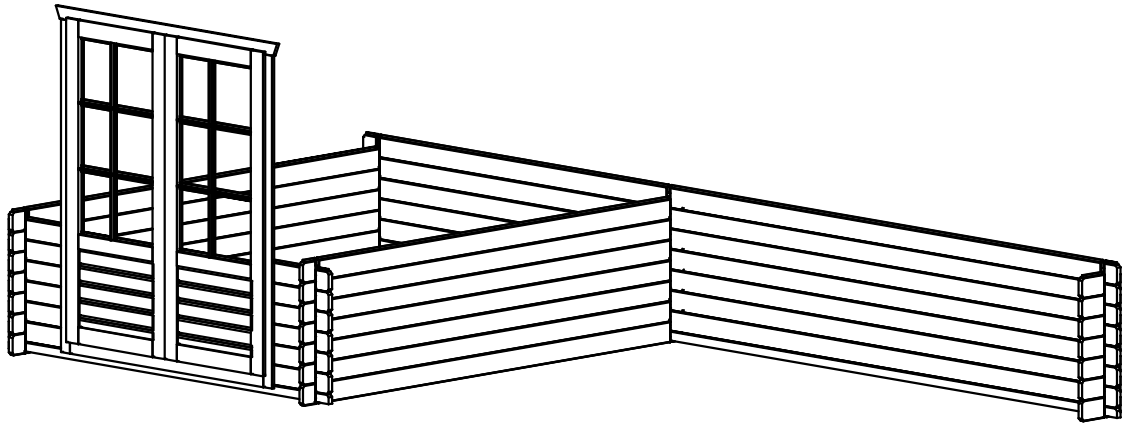
BUILDING CODE

OVE

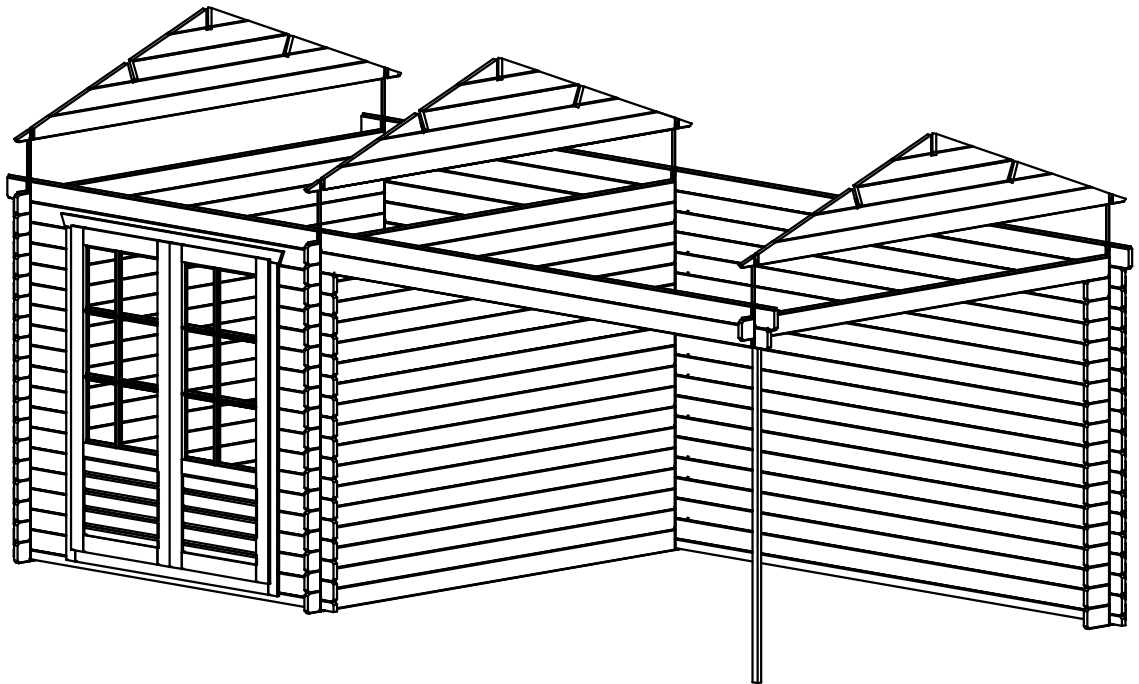
WALL LOG (mm): 28

SIZE (mm): 5895x3000

CONSTRUCCION 1



CONSTRUCCION 2



PACKAGE NR.:

MNFCT. ORDER NR.:

CONTROL 1

CONTROL 2

SIGNATURE

SIGNATURE

PAGE/PAGES:

5/6

BUILDING CODE

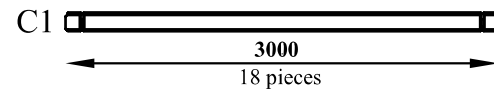
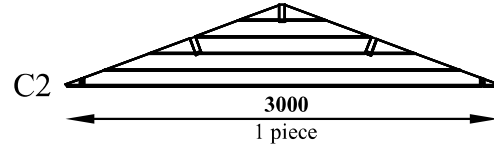
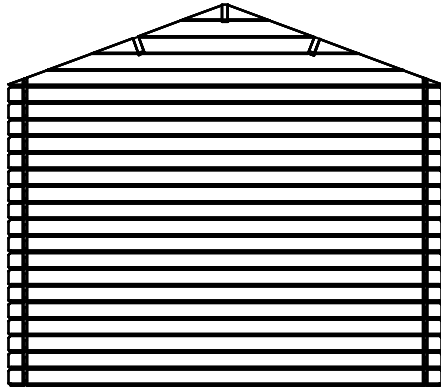
OVE

WALL LOG (mm): 28

SIZE (mm): 5895x3000

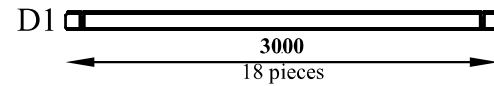
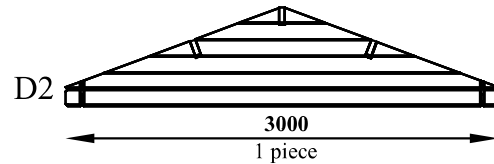
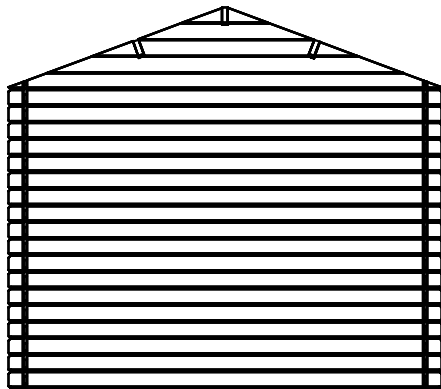
LEFT VIEW

Ⓒ



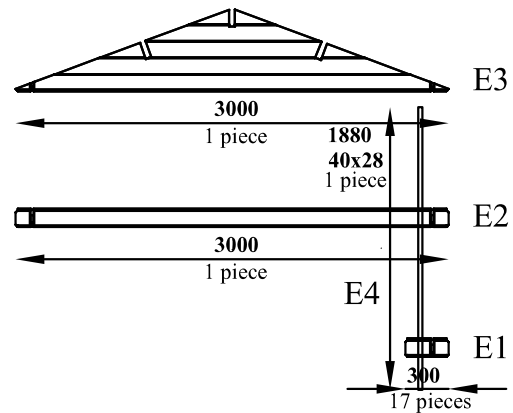
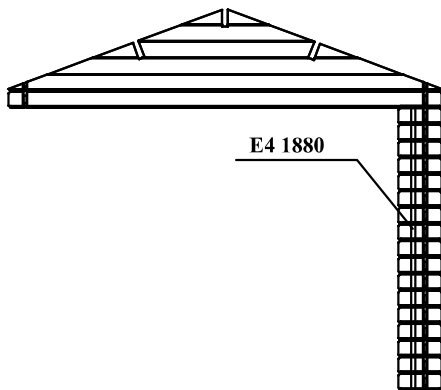
MIDDLE VIEW

Ⓓ



RIGHT VIEW

Ⓔ



PACKAGE NR.:

MNFCT. ORDER NR.:

CONTROL 1

CONTROL 2

SIGNATURE

SIGNATURE

PAGE/PAGES:

4/6

BUILDING CODE

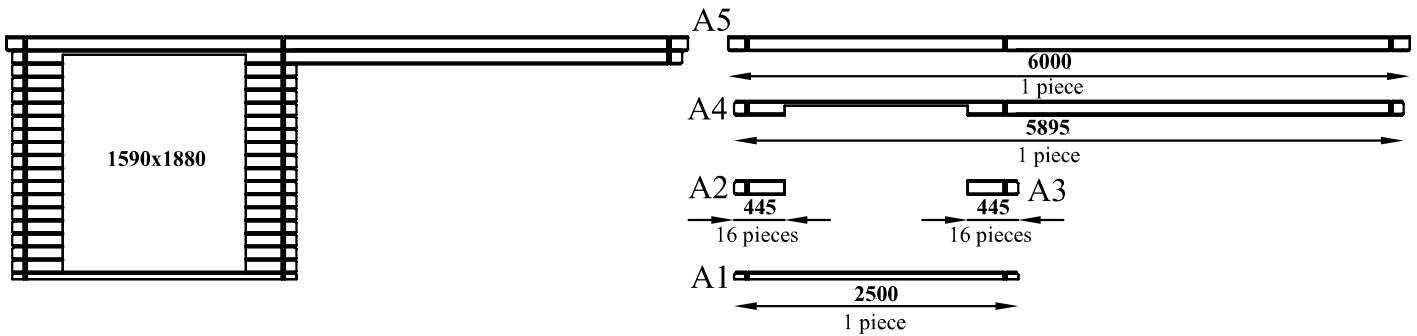
OVE

WALL LOG (mm): 28

SIZE (mm): 5895x3000

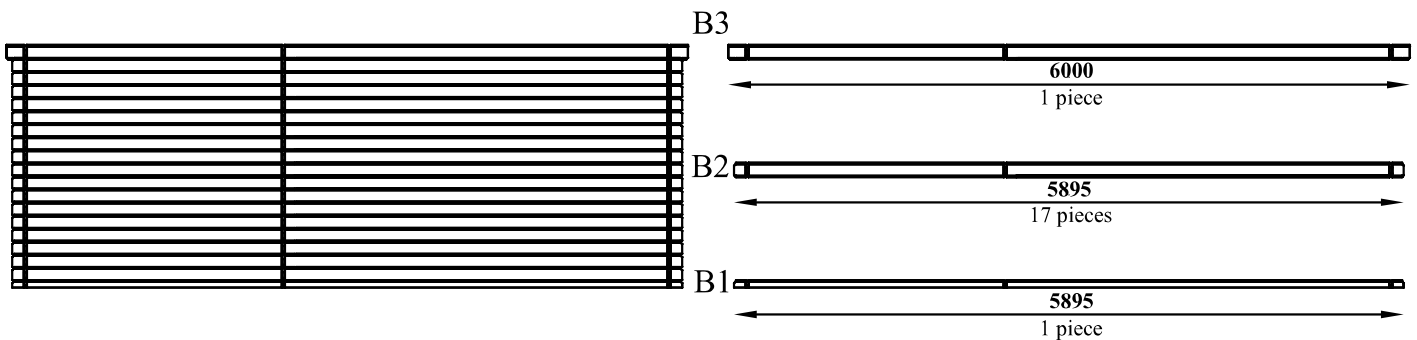
FRONT VIEW

(A)



BACK VIEW

(B)



PACKAGE NR.:

MNFCT. ORDER NR.:

CONTROL 1

CONTROL 2

SIGNATURE

SIGNATURE

PAGE/PAGES:

3/6

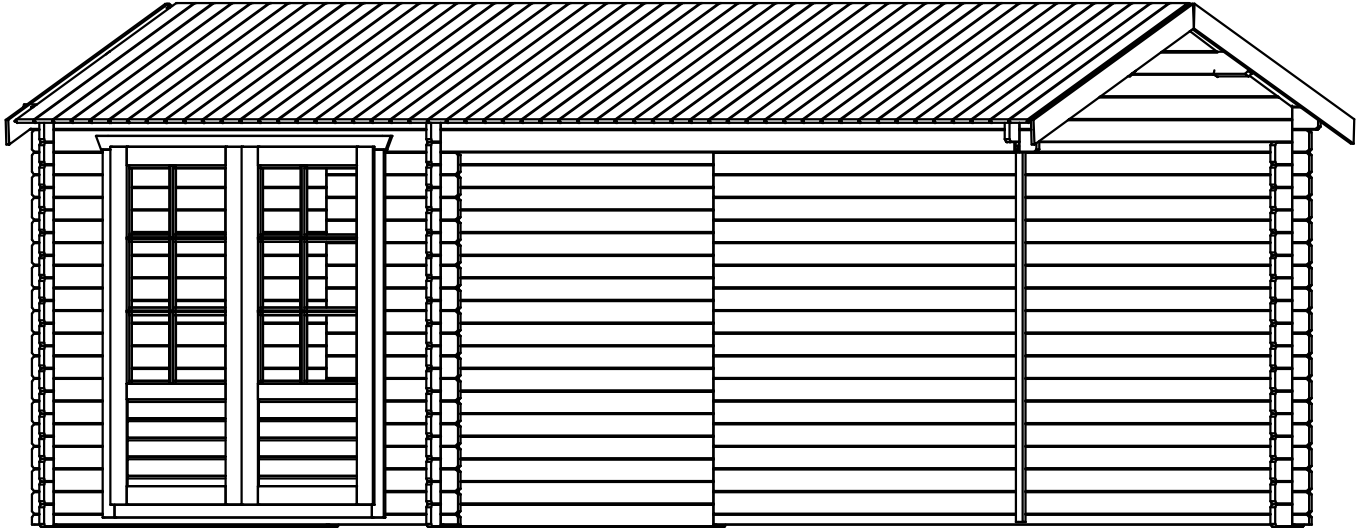
BUILDING CODE

OVE

WALL LOG (mm): 28

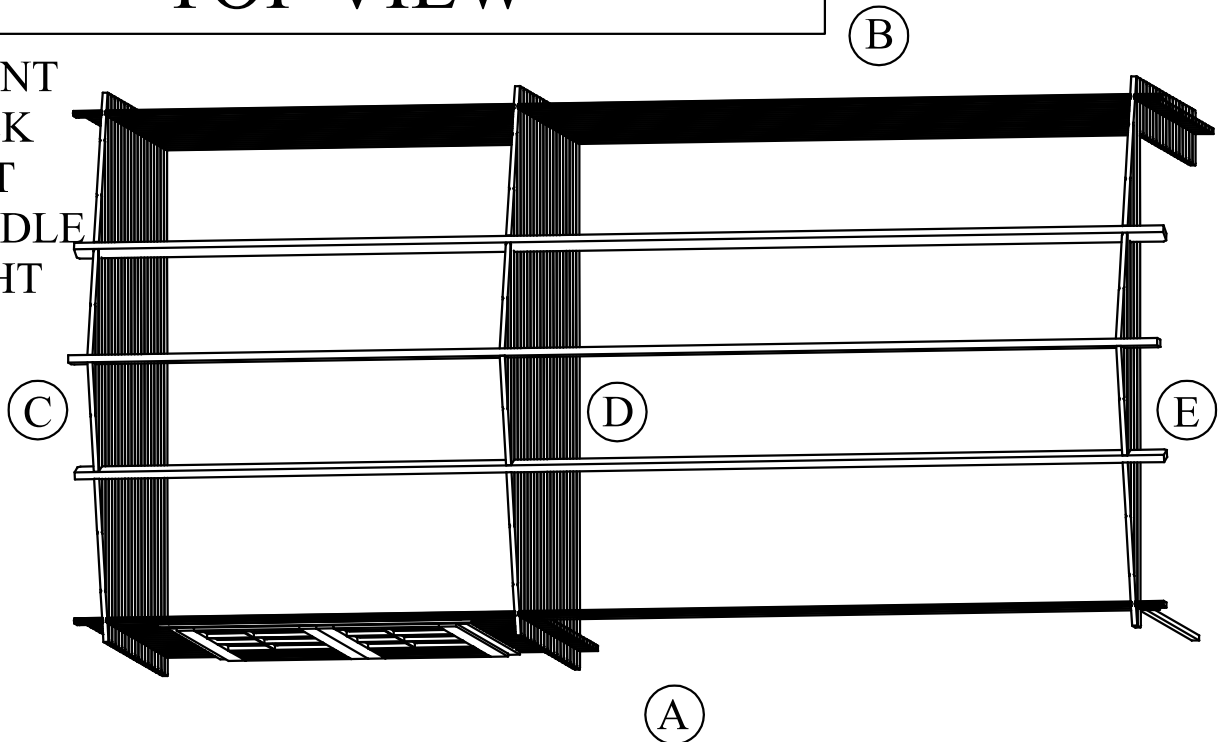
SIZE (mm): 5895x3000

ISOMETRIC VIEW



TOP VIEW

A-FRONT
 B-BACK
 C-LEFT
 D-MIDDLE
 E-RIGHT



PACKAGE NR.:

MNFCT. ORDER NR.:

CONTROL 1
SIGNATURE

CONTROL 2
SIGNATURE

PAGE/PAGES: **2/6**

Always keep the package number saved! Without package number there is no guarantee.
 Package number:

WALL LOG (mm): 28

BUILDING CODE

OVE

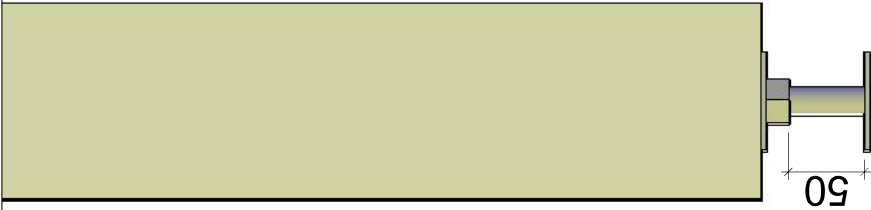
SIZE (mm): 5895x3000

COMPONENT SPECIFICATION

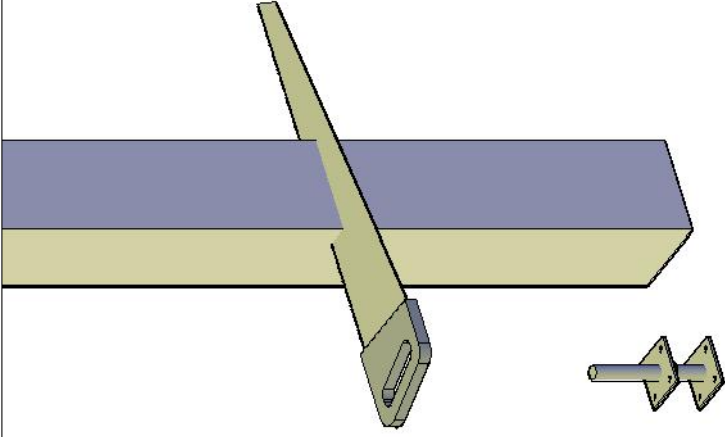
NUMBER	COMPONENT FUNCTION	COMPONENT CODE	VIEW	SIDE VIEW	DIMENSIONS (mm)			QUANTITY (psc.)
					LENGHT	WIDTH	THICKNESS	
1	Wall board	A2			445	115	28	16
2	Wall board	A3			445	115	28	16
3	Wall board	A4			5895	115	28	1
4	Wall board	A5, B3			6000	115	28	2
5	Wall board	B2			5895	115	28	17
6	Wall board	E1			300	115	28	17
7	Wall board	C1, D1, E2			3000	115	28	37
8	Wall board	A1			2500	60	28	1
9	Wall board	B1			5895	60	28	1
10	Apex	C2, D2, E3			3000		28	3
11	Column	E4			1880	40	28	1
12	Door	D-3			1880	1590		1
13	Roof board				1730	135	19	90
14	Fascia board				1760	120	16	4
15	Roof cover fixture				3000	50/38	16	4
16	Roof cover fixture				1760	50/38	16	4
17	Beam				6000	120	40	3
18	Diamond							2
19	Column				1945	70	70	1
20								
21								
22								
23								
24								
25								

PACKAGE NR.:	MNFCT. ORDER NR.:	PAGE/PAGES: 1/6
CONTROL 1 SIGNATURE	CONTROL 2 SIGNATURE	

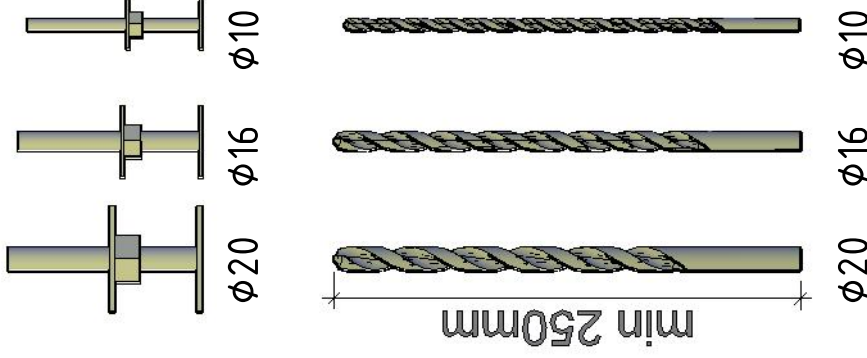
Cutting support post / Schneiden der Stützpfosten



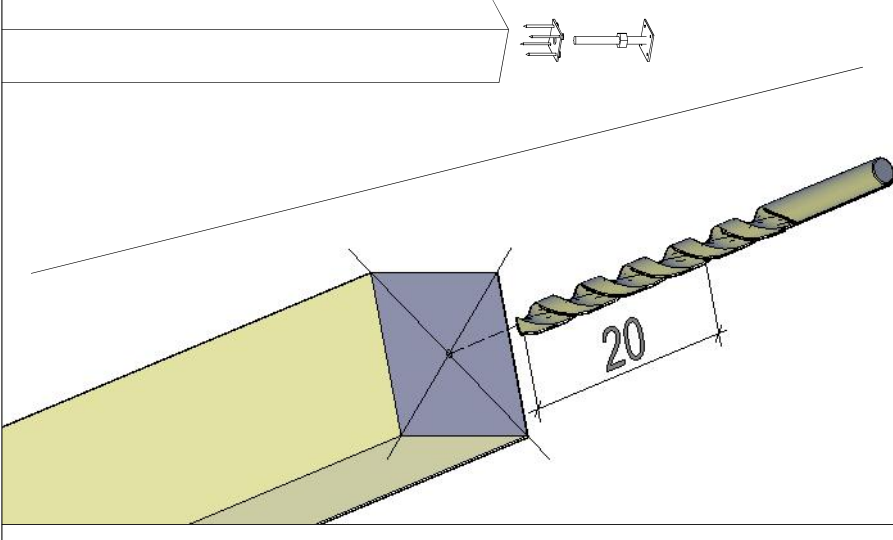
- * Adjustment space for post support should be at least 50mm.
- * Einstellraum für die Pfostenstütze muss mindestens 50mm sein.



- * Support post has extra length for various conditions. Must be sawn to suitable length on spot considering local conditions.
- * Stützpfosten hat extra Länge für verschiedene Bedingungen. Muss vor Ort unter Berücksichtigung der örtlichen Gegebenheiten zu einer geeigneten Länge gesägt werden.



- * In some cases you need to drill a new hole for a post support. Find a matching drill bit.
- * In einigen Fällen müssen Sie ein neues Loch für die Pfostenstütze bohren. Finden Sie hier den passenden Bohrer.



- * Mark the center of the post and drill a new 20cm deep hole. Continue building.
- * Markieren Sie die Mitte des pfostens und bohren Sie ein neues 20cm tiefes Loch. Danach mit Aufbau weiter machen.